



Teileliste und Naehinrichtungen
Spare Parts List and Sewing Equipment

745 - 34

DÜRKOPP ADLER AG

Ausgabe / Edition: 03/2004

Printed in Federal Republic of Germany

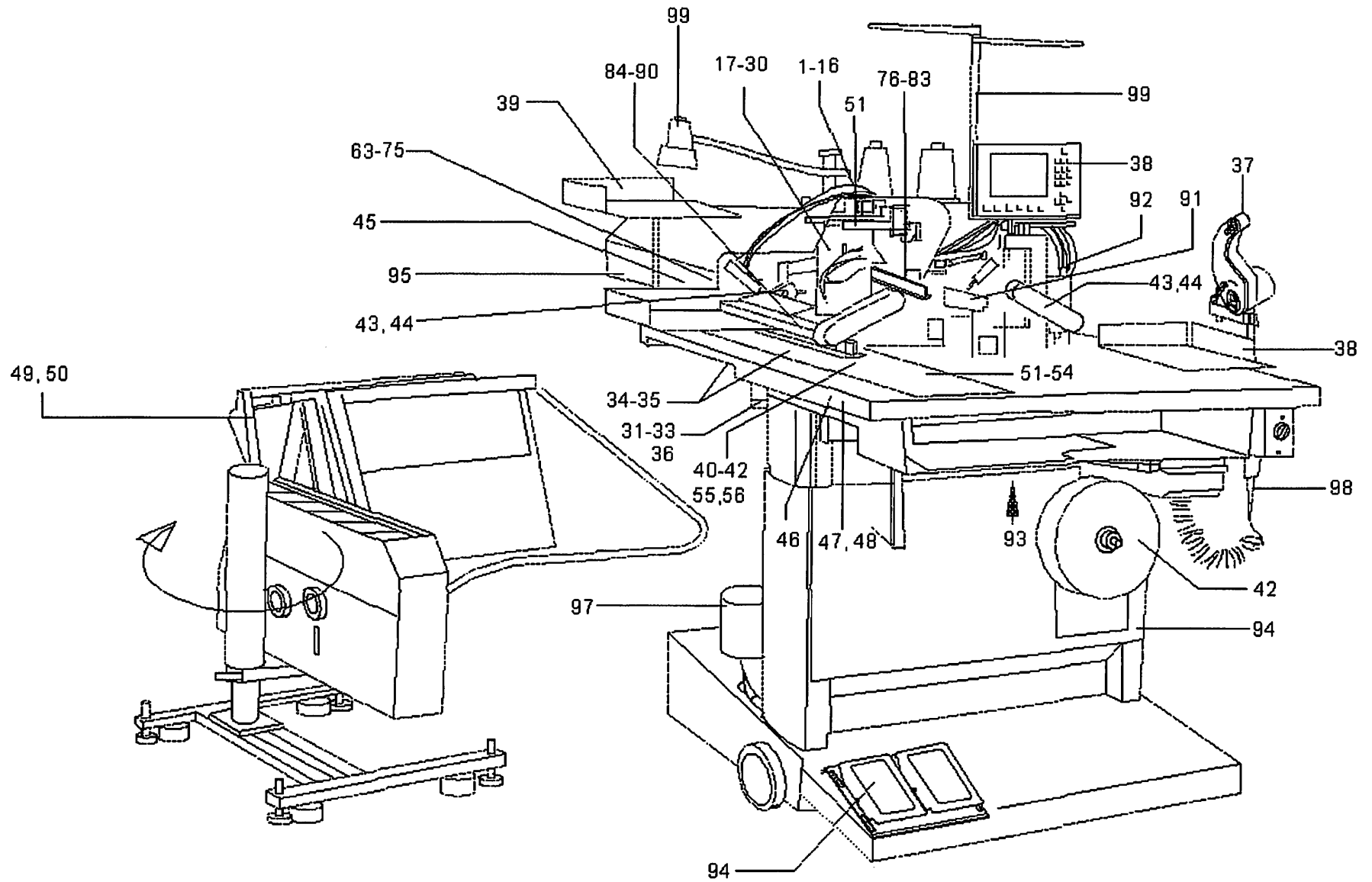
Teile-Nr./Part.-No.: 0791 745801

From the library of: Superior Sewing Machine & Supply LLC

From the library of: Superior Sewing Machine & Supply LLC

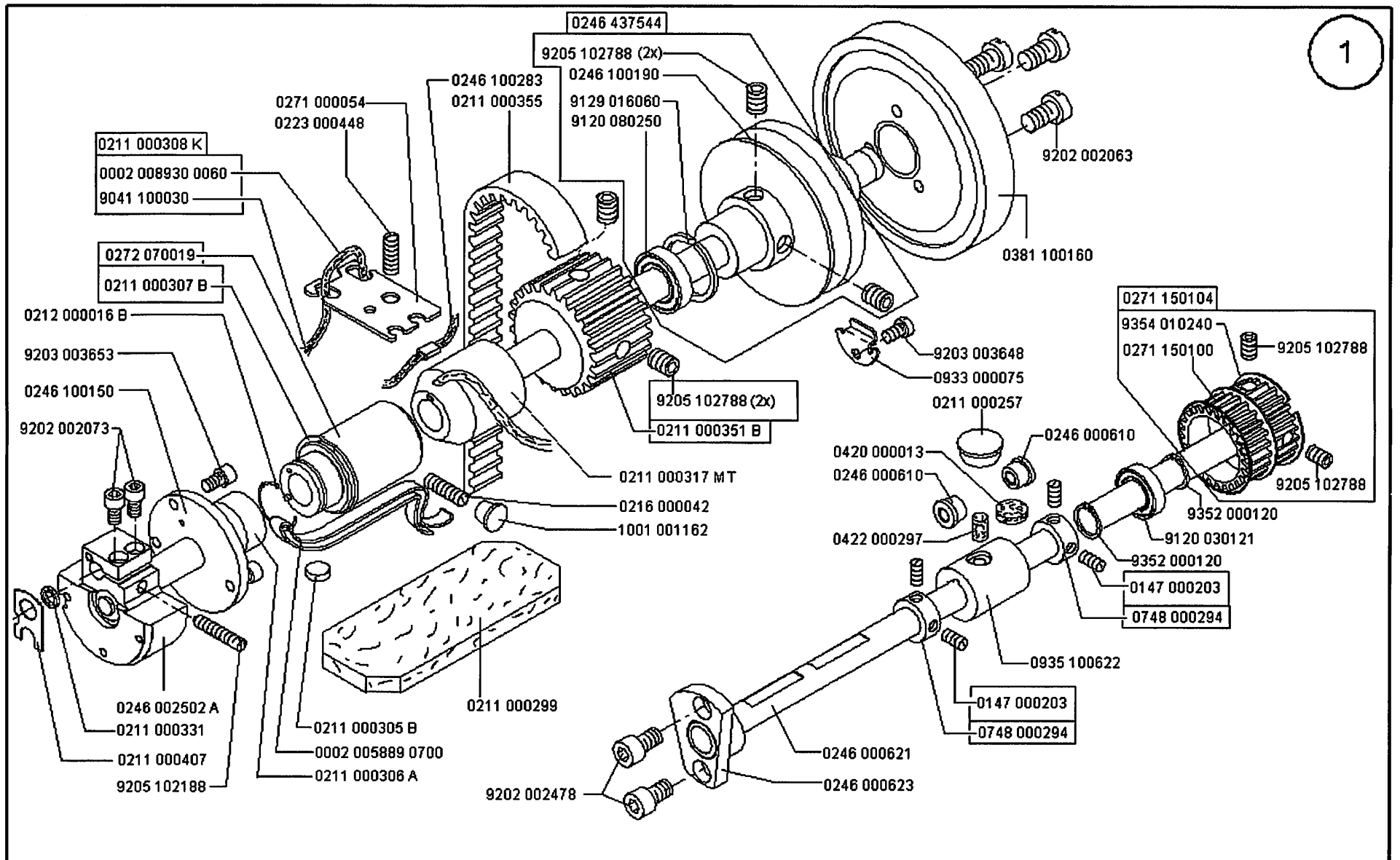
745-34

| Inhaltsverzeichnis | Tafel / Table | Contents |
|----------------------------------|---------------|------------------------------|
| Einbaunaehmaschine | 1 - 16 | Insert sewing machine |
| Zufuehreinrichtung | 17 - 30 | Loading device |
| Transport- und Antriebsteile | 31 - 33 | Carriage- and drive parts |
| Messerbock | 34, 35 | Knife bracket |
| Vakuum platte | 36 | Vacuum plate |
| Spuler | 37 | Winder |
| Bedienfeld, Auflage | 38, 39 | Control panel, Support plate |
| Bandzufuehrung | 40 - 42 | Tape feeder |
| Wendeeinrichtung | 43, 44 | Turning device |
| Ausroller | 45 | Smoother |
| Buendelklemme | 46 | Bundle clamp |
| Tischverbreiterung | 47, 48 | Table extension |
| Stapler | 49, 50 | Stacker |
| Ausblasvorrichtung, Laser | 51 | Blow-out device, Reader |
| Niederhalter | 52 | Holder |
| Formanschlag | 53 | Loading device |
| Bundklemme | 54 | Bundle clamp |
| Endlosreissverschluß | 55, 56 | Endless zipper |
| Taschenbeutel ueber Patte | 57, 58 | Pocket bag over flap |
| Reissverschlußzufuehrungen | 59, 60 | Zipper feeder |
| Paspelschneider | 61, 62 | Slitting pipe |
| Klammer "K12" | 63, 64 | Clamp "K12" |
| Klammer "K13" | 65, 66 | Clamp "K13" |
| Klammer "K16" | 67, 68 | Clamp "K16" |
| Klammer "K19" | 69, 70 | Clamp "K19" |
| Pattenklemme "K19" | 71 | Flap clamp "K19" |
| Klammer "K5" | 72, 73 | Clamp "K5" |
| Klammer "K20" | 74 | Clamp "K20" |
| Teilesatz f. Klammer "K19" | 75 | Set of parts for clamp "K19" |
| Greiffaltstempel | 76 - 83 | Catch folder |
| Faltstempel | 84 - 90 | Folder |
| Auflage | 91 | Support plate |
| Elektronik | 92 | Electronics |
| Gestell | 93, 94 | Stand |
| Hauben | 95, 96 | Cover |
| Vakuum K (Seitenkanalverdichtg.) | 97 | Vacuum unit |
| Wartungseinheit | 98 | Maintenance unit |
| Beipack | 99 | Accessories |
| Naeheinrichtungen | | Sewing equipment |
| Plaene | | Plans |



From the library of: Superior Sewing Machine & Supply LLC

From the library of: Superior Sewing Machine & Supply LLC



Scale 50 %

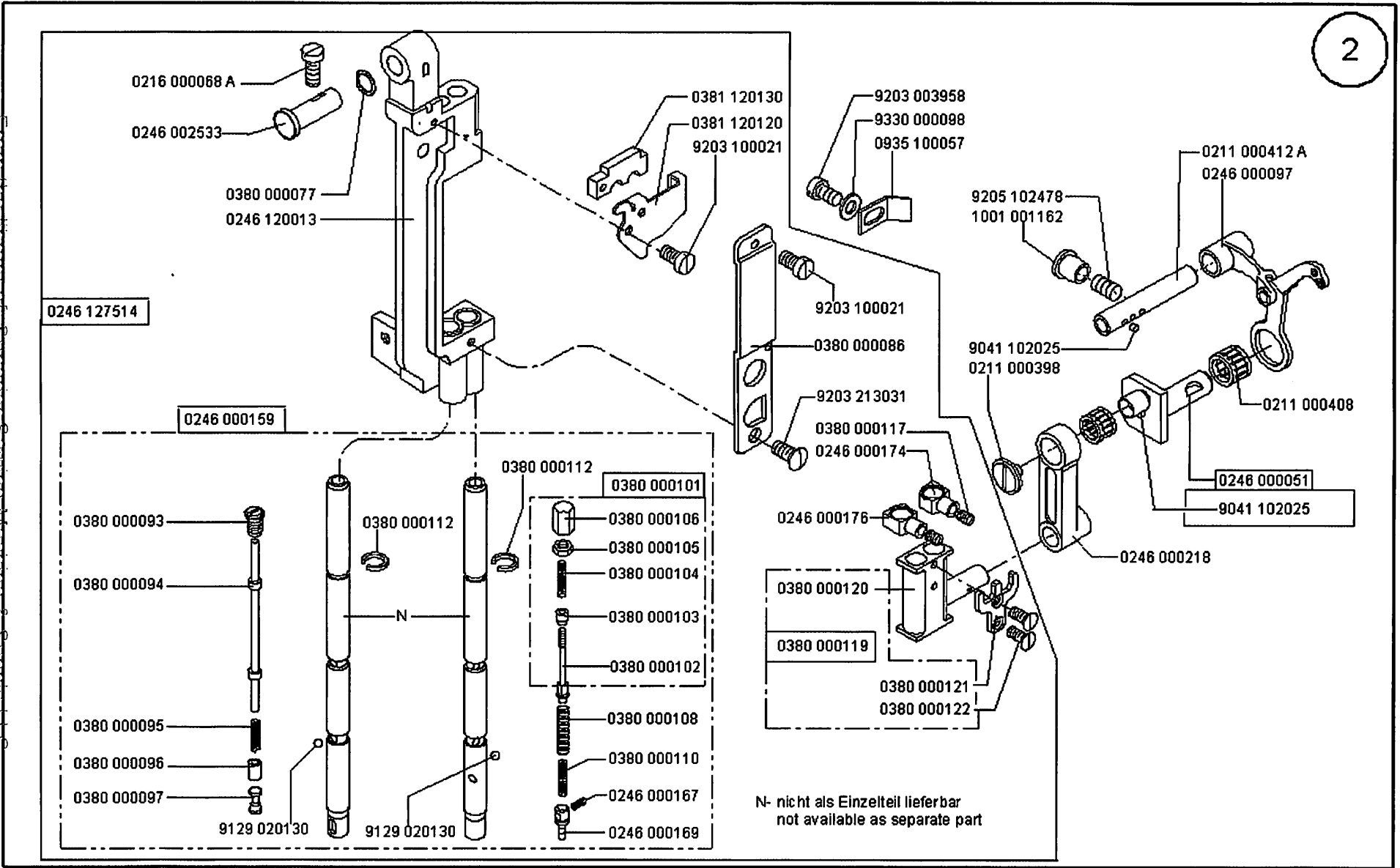
Cl. 745-34

Ausgabe/Edition 02.2004

From the library of: Superior Sewing Machine & Supply LLC

From the library of: Superior Sewing Machine & Supply LLC

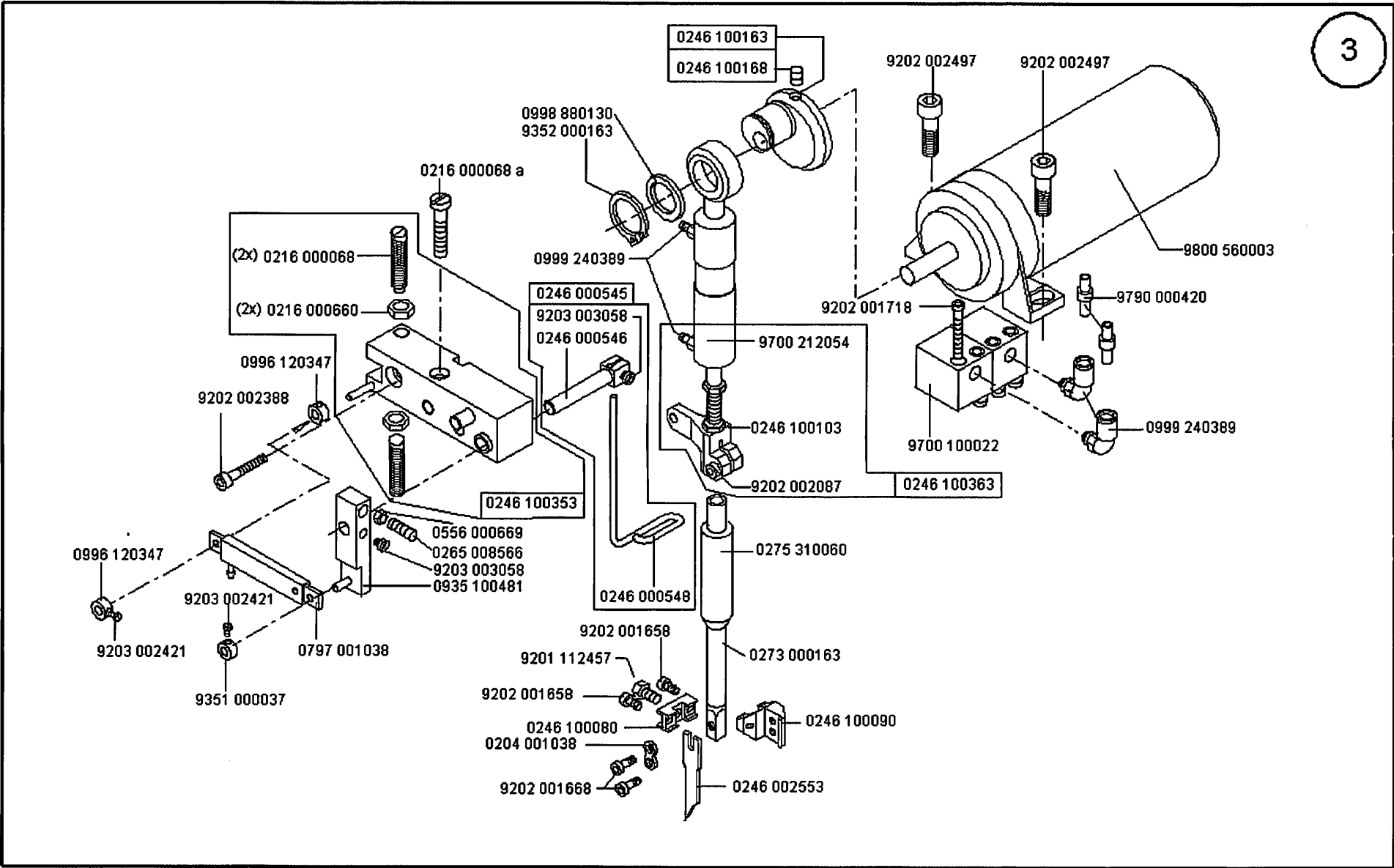
From the library of: Superior Sewing Machine & Supply LLC



Scale 50 %

Cl. 745-34

Ausgabe/Edition 02.2004

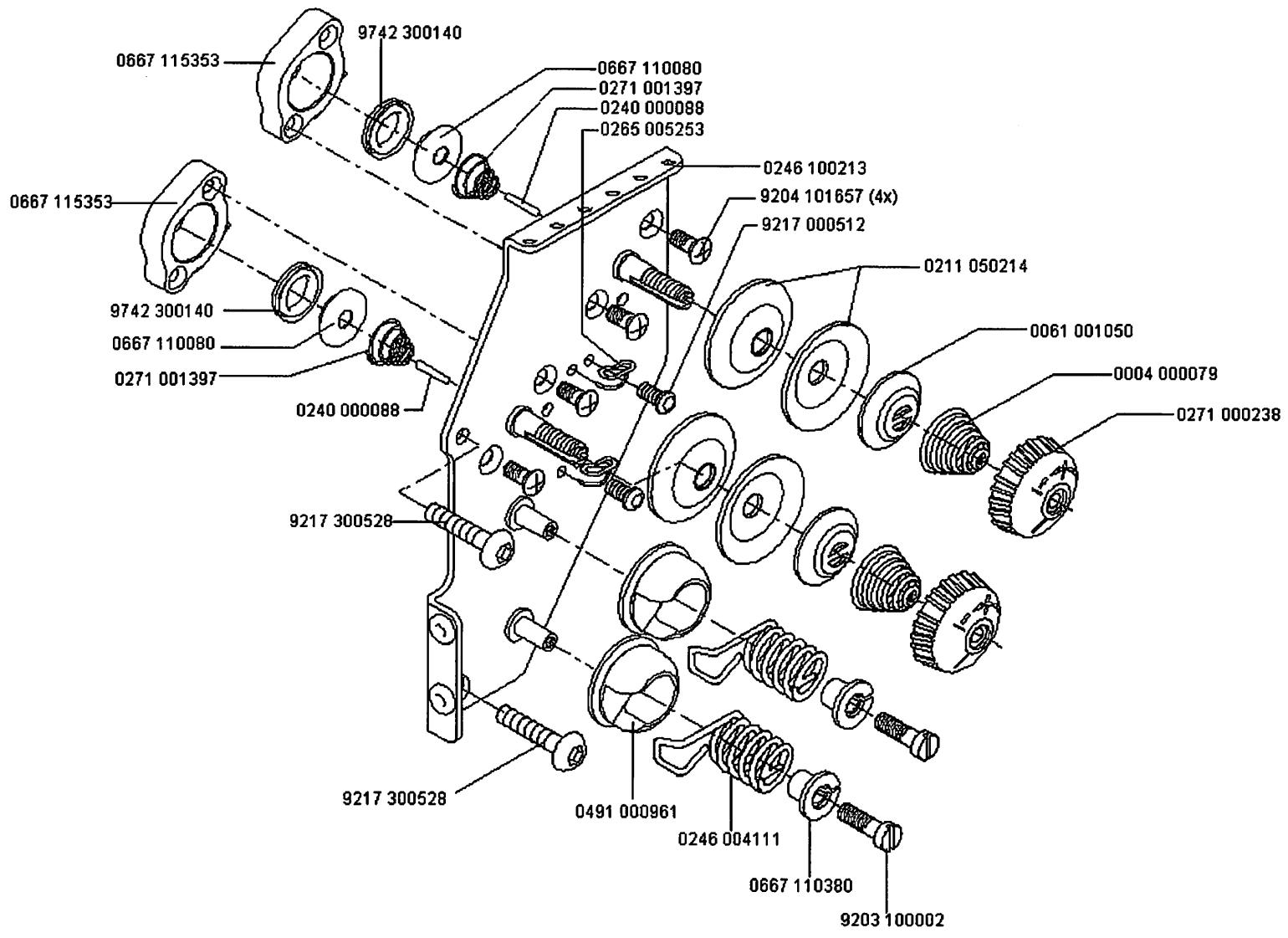


Scale 50 %

Cl. 745-34

Ausgabe/Edition 02.2004

From the library of: Superior Sewing Machine & Supply LLC



From the library of: Superior Sewing Machine & Supply LLC

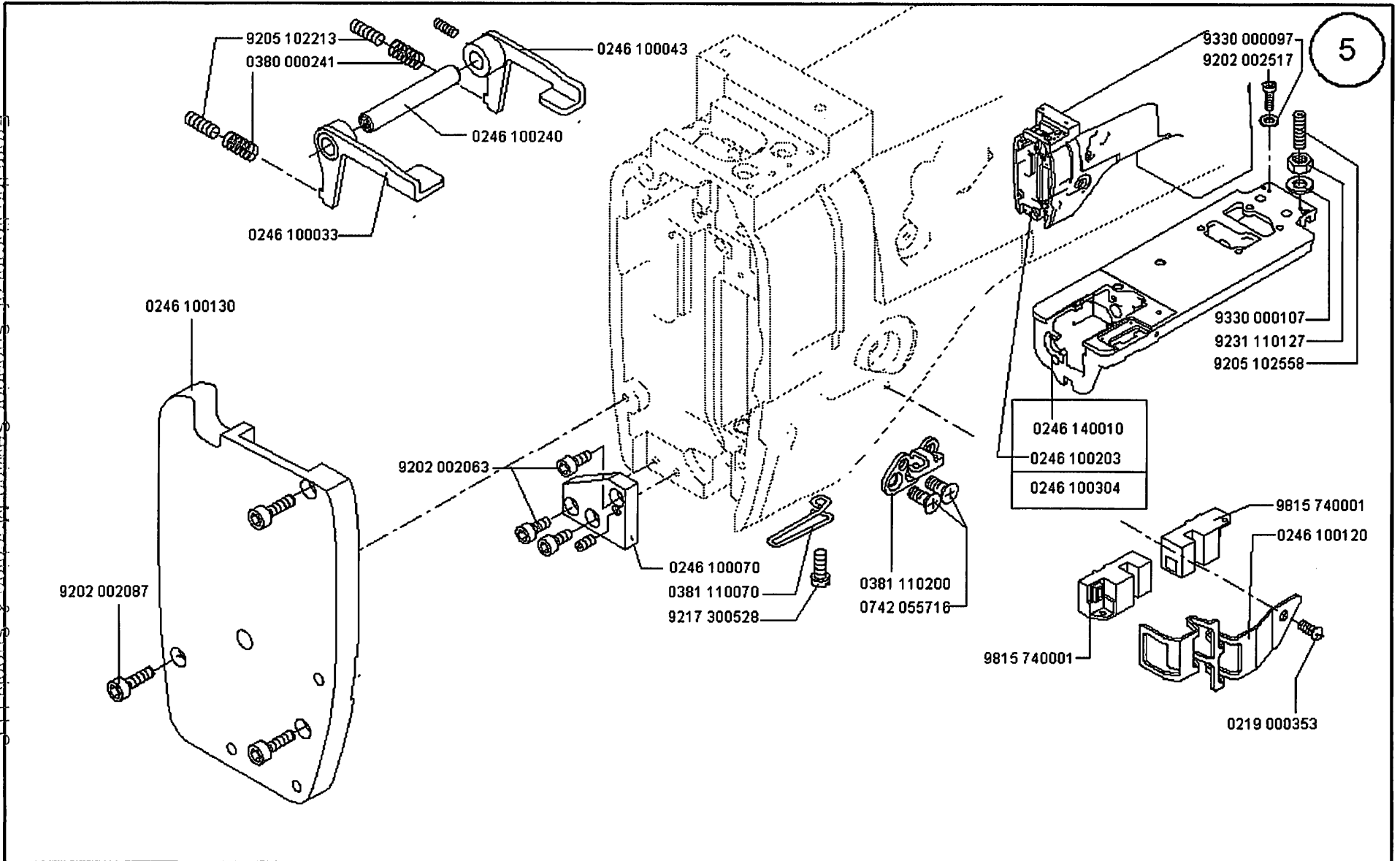
Scale 70 %

Cl. 745-34

Ausgabe/Edition 02.2004

From the library of: Superior Sewing Machine & Supply LLC

From the library of: Superior Sewing Machine & Supply LLC

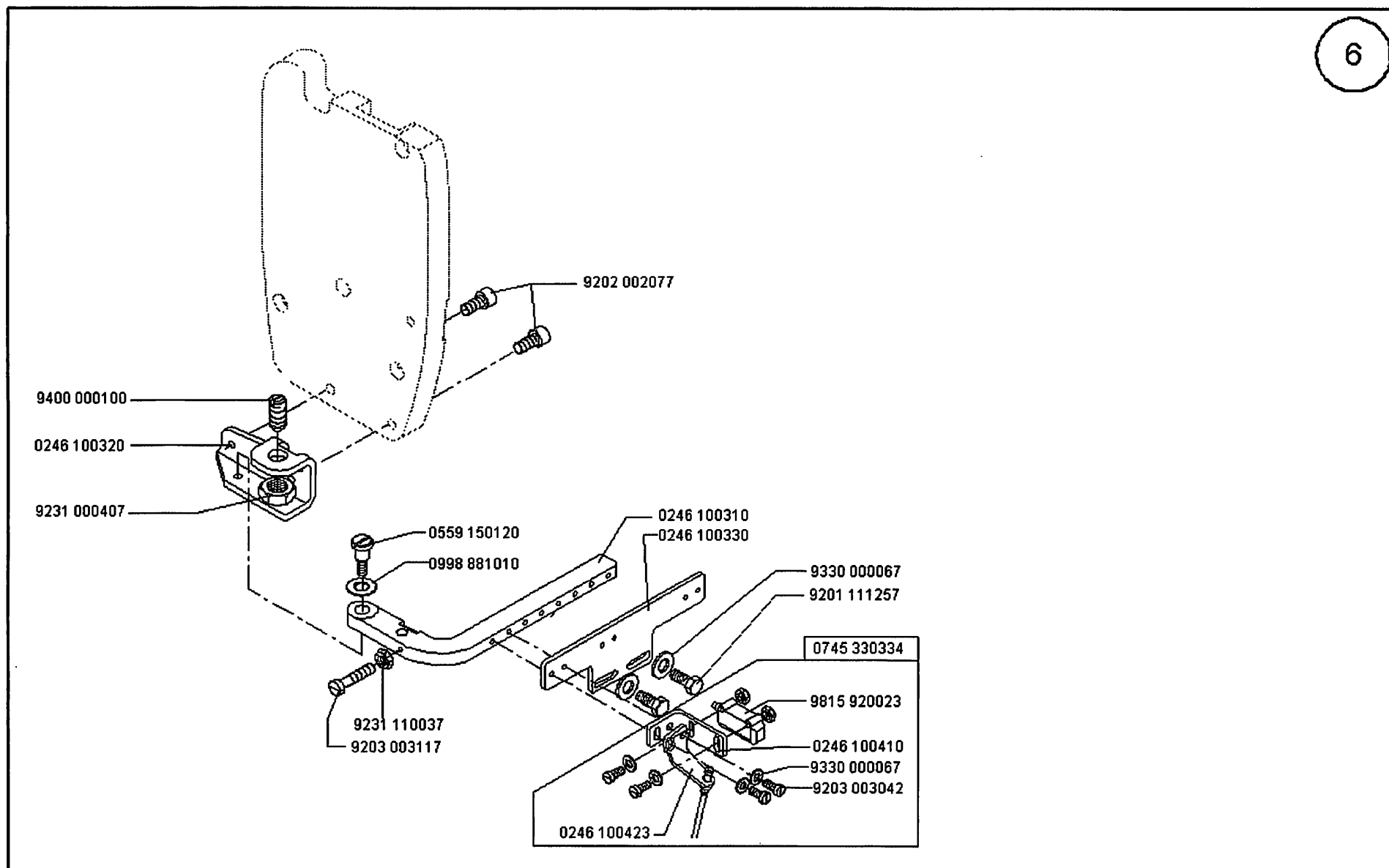


Scale 50 %

Cl. 745-34

Ausgabe/Edition 02.2004

From the library of: Superior Sewing Machine & Supply LLC



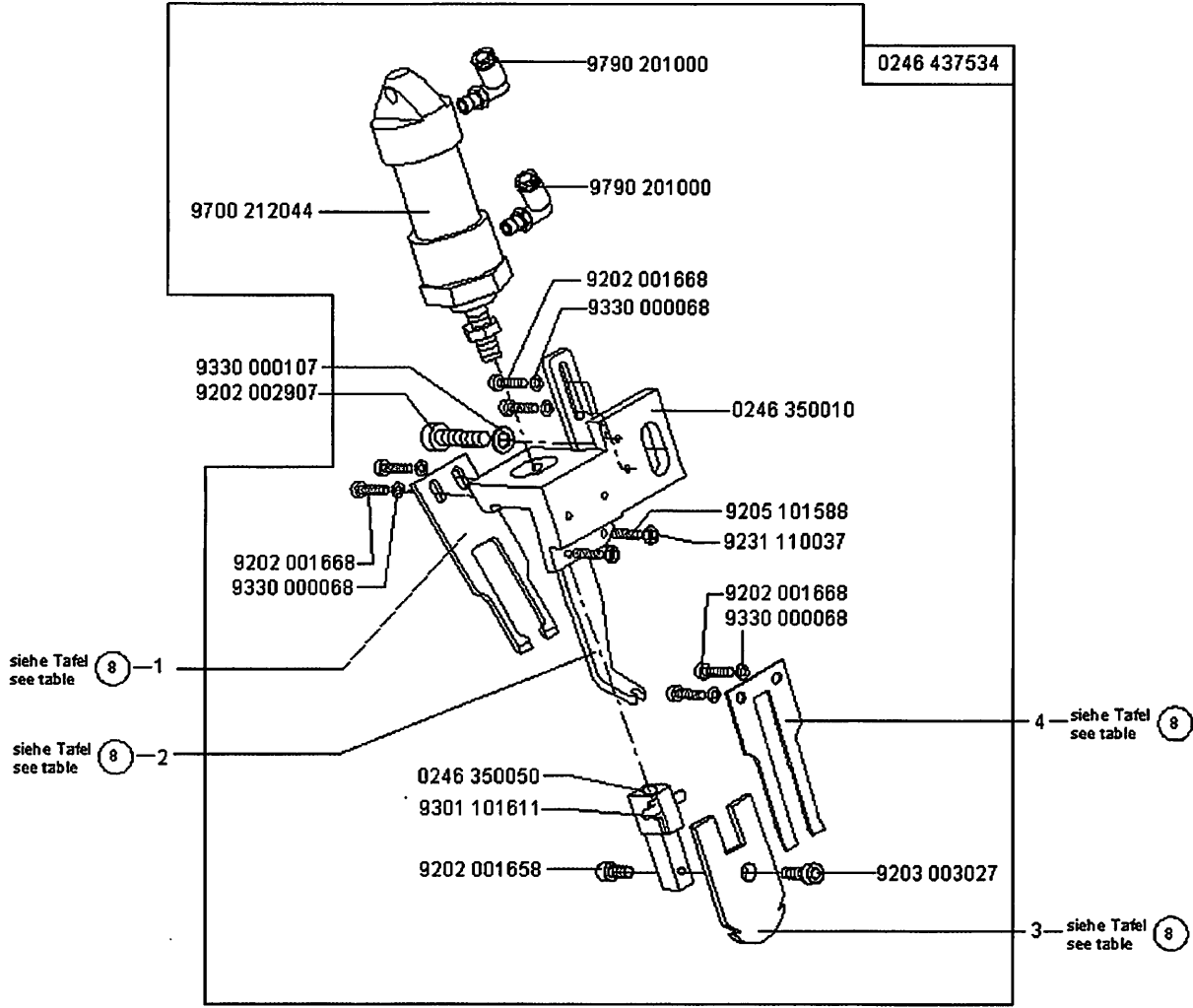
Scale 50 %

CI. 745-34

Ausgabe/Edition 02.2004

From the library of: Superior Sewing Machine & Supply LLC

From the library of: Superior Sewing Machine & Supply LLC



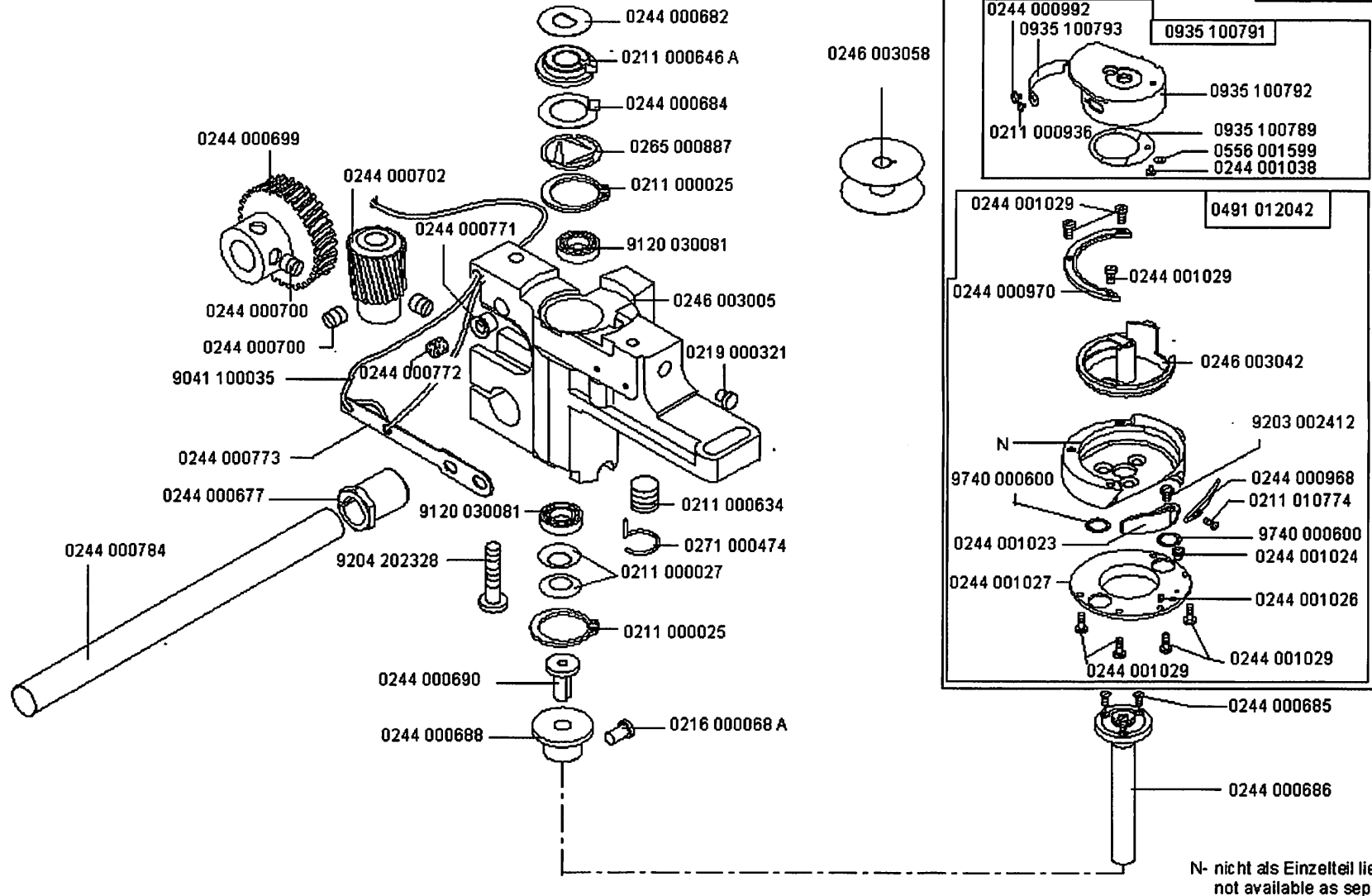
From the library of: Superior Sewing Machine & Supply LLC

Scale 50 %

Cl. 745-34

Ausgabe/Edition 08.2002

| NA.. | pos. 1 Messer Knife | pos. 2 Messerschutz Knife protection | pos. 3 Messer Knife | pos. 4 Federblech Spring plate | | | |
|------|---------------------------|--|---------------------------|--------------------------------------|--|--|--|
| 10 | 0246 350040 | 0246 350020 | 0246 350060 | 0246 350030 | | | |
| 12 | 0246 350040 | 0246 350020 | 0246 350060 | 0246 350030 | | | |
| 14 | 0246 350090 | 0246 350070 | 0246 350100 | 0246 350080 | | | |
| 16 | 0246 350090 | 0246 350070 | 0246 350100 | 0246 350080 | | | |
| 20 | 0246 350130 | 0246 350110 | 0246 350140 | 0246 350120 | | | |
| | | | | | | | |
| | | | | | | | |
| | | | | | | | |
| | | | | | | | |
| | | | | | | | |
| | | | | | | | |
| | | | | | | | |
| | | | | | | | |
| | | | | | | | |
| | | | | | | | |
| | | | | | | | |
| | | | | | | | |
| | | | | | | | |
| | | | | | | | |
| | | | | | | | |
| | | | | | | | |
| | | | | | | | |
| | | | | | | | |
| | | | | | | | |
| | | | | | | | |

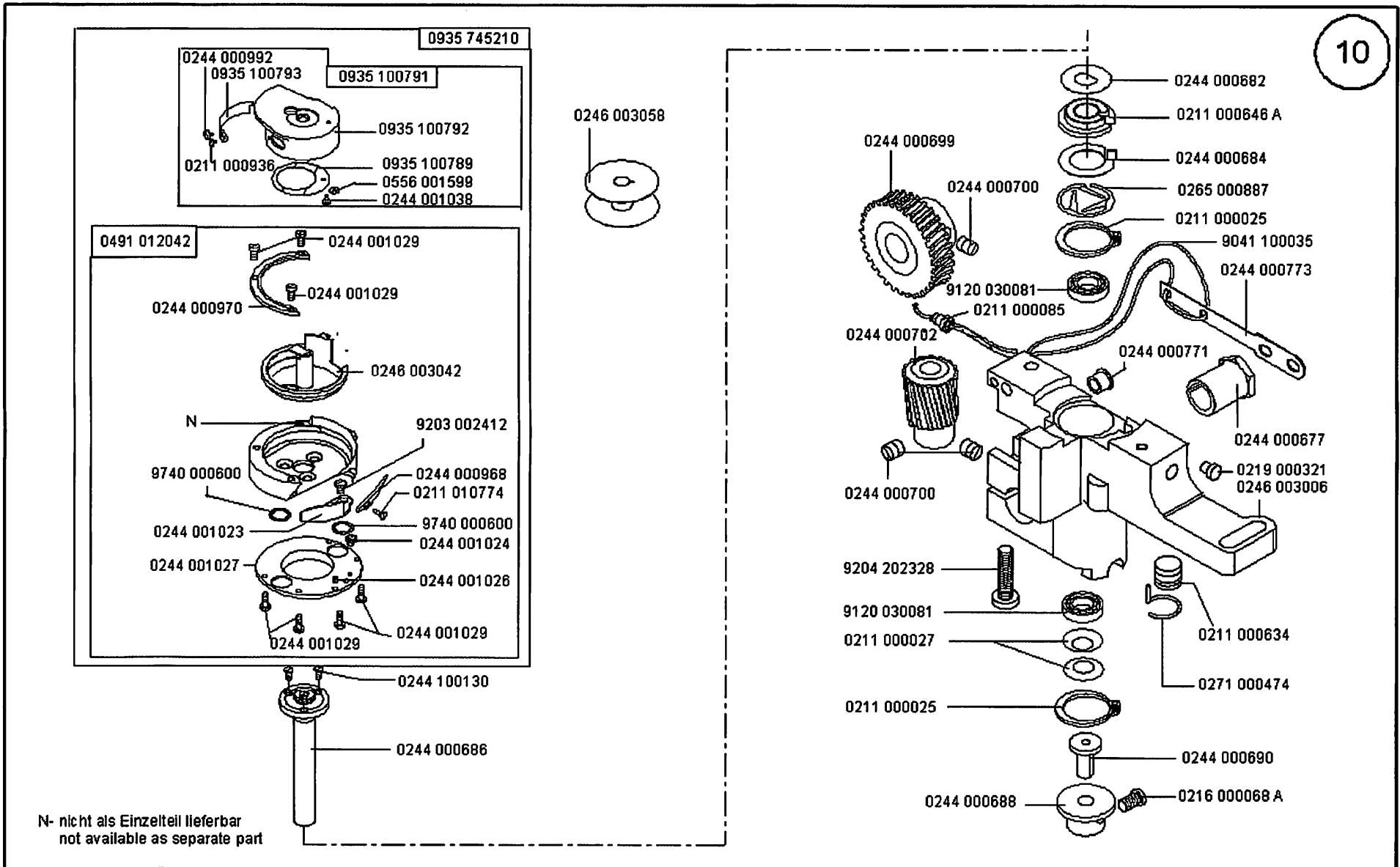


N- nicht als Einzelteil lieferbar
not available as separate part

Scale 50 %

Cl. 745-34

Ausgabe/Edition 02.2004



Scale 50 %

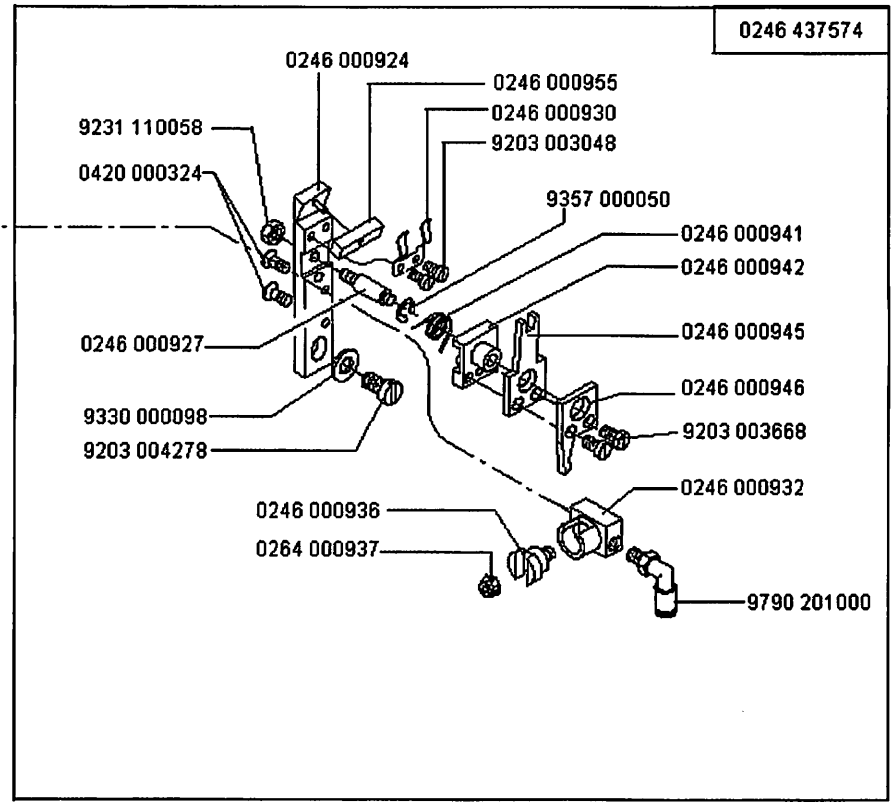
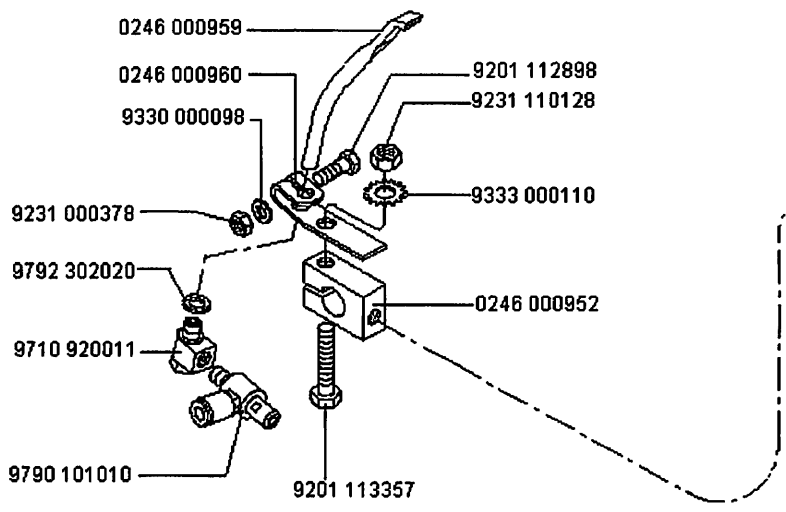
Cl. 745-34

Ausgabe/Edition 02.2004

From the library of: Superior Sewing Machine & Supply LLC

From the library of: Superior Sewing Machine & Supply LLC

From the library of: Superior Sewing Machine & Supply LLC

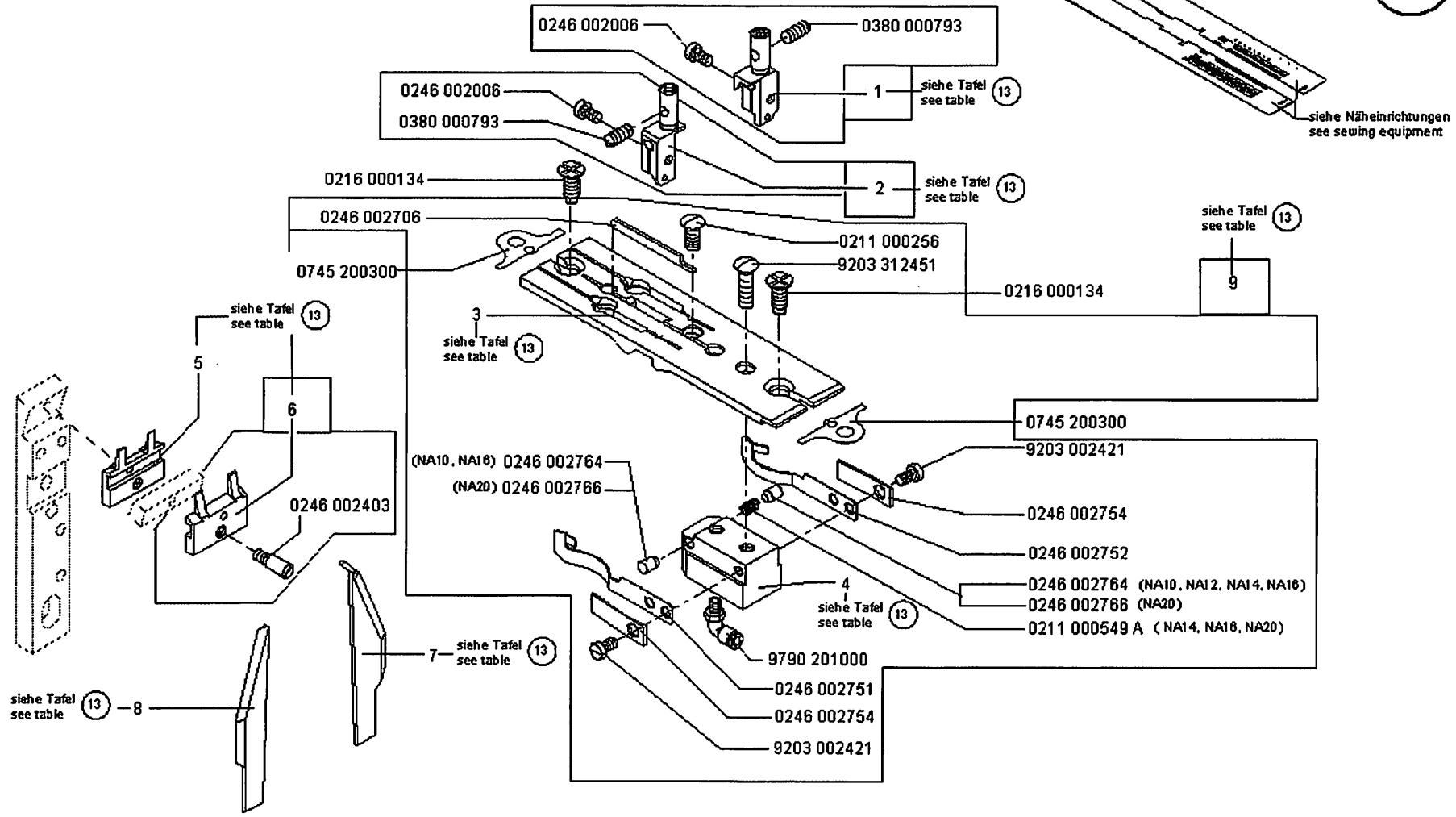


Scale 50 %

Cl. 745-34

Ausgabe/Edition 04.2002

From the library of: Superior Sewing Machine & Supply LLC



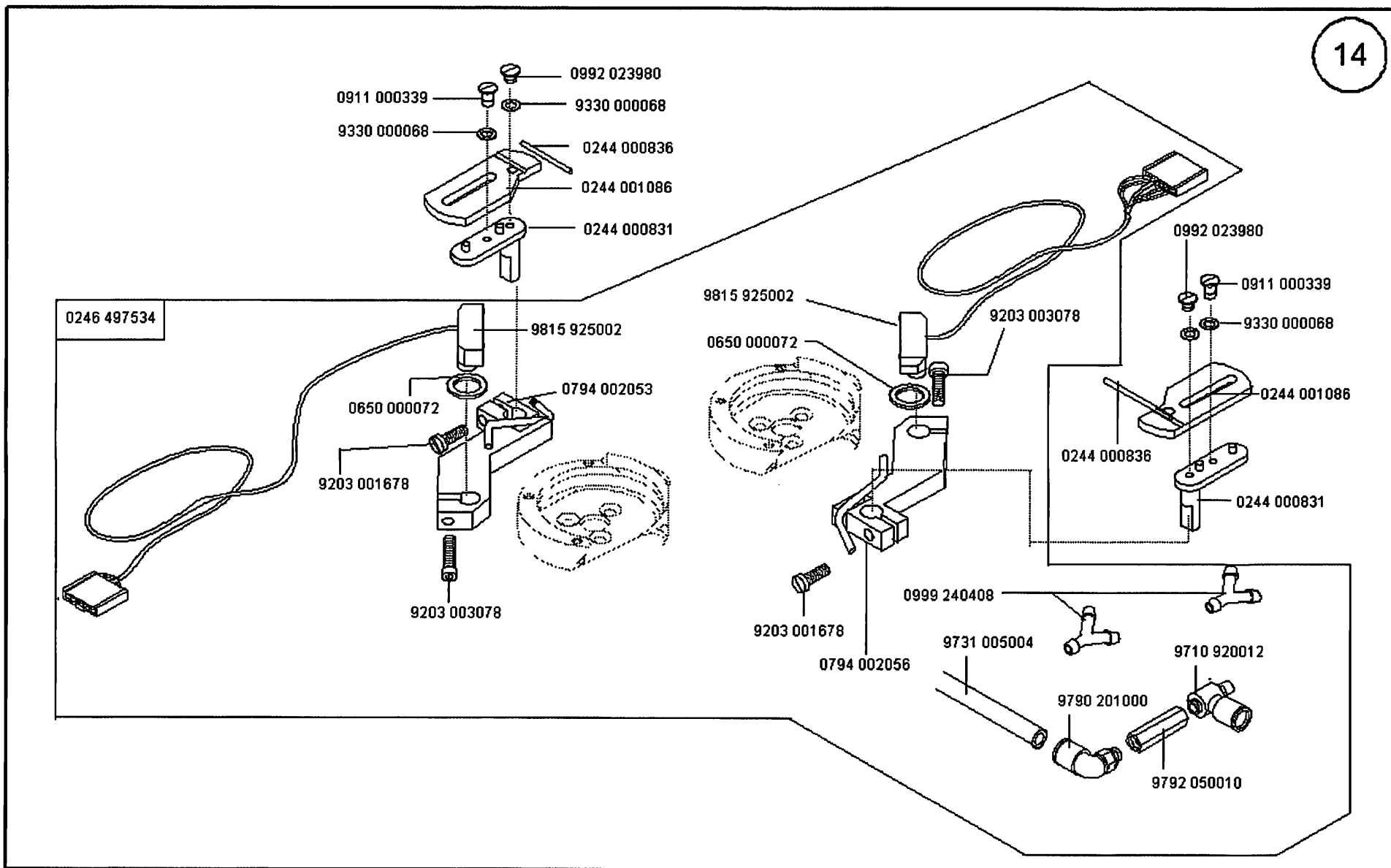
Scale 30 %

Cl. 745-34

Ausgabe/Edition 06.2003

| NA.. | pos. 1 Nadelhalter rechts Needle holder, right | pos. 2 Nadelhalter links Needle holder, left | pos. 3 Stichplatte Throat plate | pos. 4 Halter Holder | pos. 5 Gegenmesser Counter-knife | pos. 6 Messer V Knife cpl | pos. 7 Eckmesser rechts Corner knife, right | pos. 8 Eckmesser links Corner knife, left | pos. 9 Stichplatte KPL. Throat plate cpl. |
|------|---|---|---------------------------------------|----------------------------|--|---------------------------------|--|--|--|
| 10 | 0246 002001 | 0246 002002 | 0745 200103 | 0246 002756 | 0246 002402 | 0246 002401 | 0745 339100 | 0745 339110 | 0745 200104 |
| 12 | 0246 002015 | 0246 002016 | 0745 200123 | 0246 002758 | 0246 002409 | 0246 002408 | 0745 339120 | 0745 339130 | 0745 200124 |
| 14 | 0246 002021 | 0246 002022 | 0745 200143 | 0246 002759 | 0246 002412 | 0246 002411 | 0745 339140 | 0745 339150 | 0745 200144 |
| 16 | 0246 002031 | 0246 002032 | 0745 200163 | 0246 002760 | 0246 002415 | 0246 002414 | 0745 339160 | 0745 339170 | 0745 200164 |
| 20 | 0246 002041 | 0246 002042 | 0745 200203 | 0246 002762 | 0246 002422 | 0246 002421 | 0745 339200 | 0745 339210 | 0745 200204 |
| | | | | | | | | | |
| | | | | | | | | | |
| | | | | | | | | | |
| | | | | | | | | | |
| | | | | | | | | | |
| | | | | | | | | | |
| | | | | | | | | | |
| | | | | | | | | | |
| | | | | | | | | | |
| | | | | | | | | | |
| | | | | | | | | | |
| | | | | | | | | | |
| | | | | | | | | | |
| | | | | | | | | | |

From the library of: Superior Sewing Machine & Supply LLC

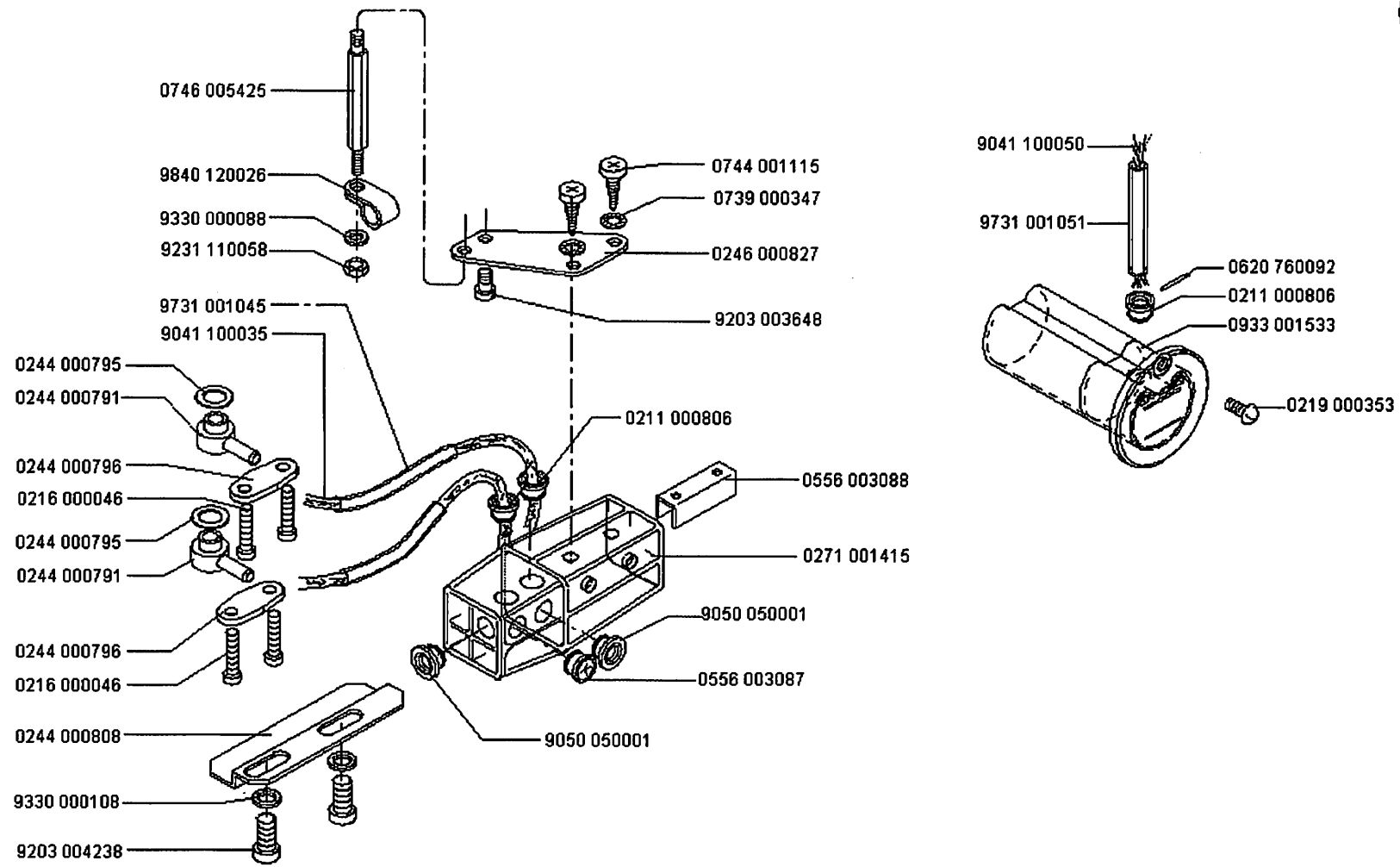


Scale 75 %

Cl. 745-34

Ausgabe/Edition 06.2003

From the library of: Superior Sewing Machine & Supply LLC



Scale 50 %

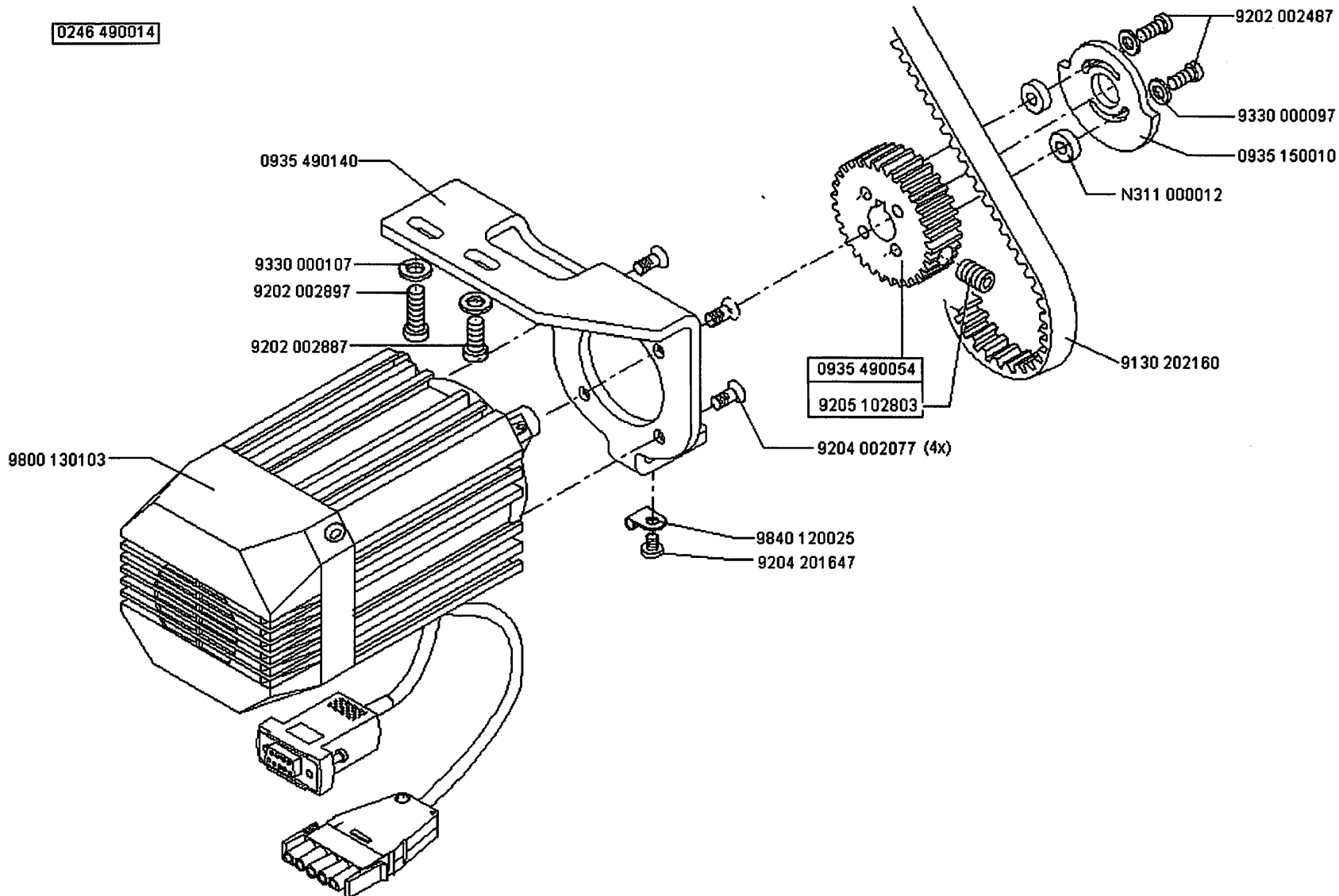
Cl. 745-34

Ausgabe/Edition 02.2004

From the library of: Superior Sewing Machine & Supply LLC

From the library of: Superior Sewing Machine & Supply LLC

0246 490014



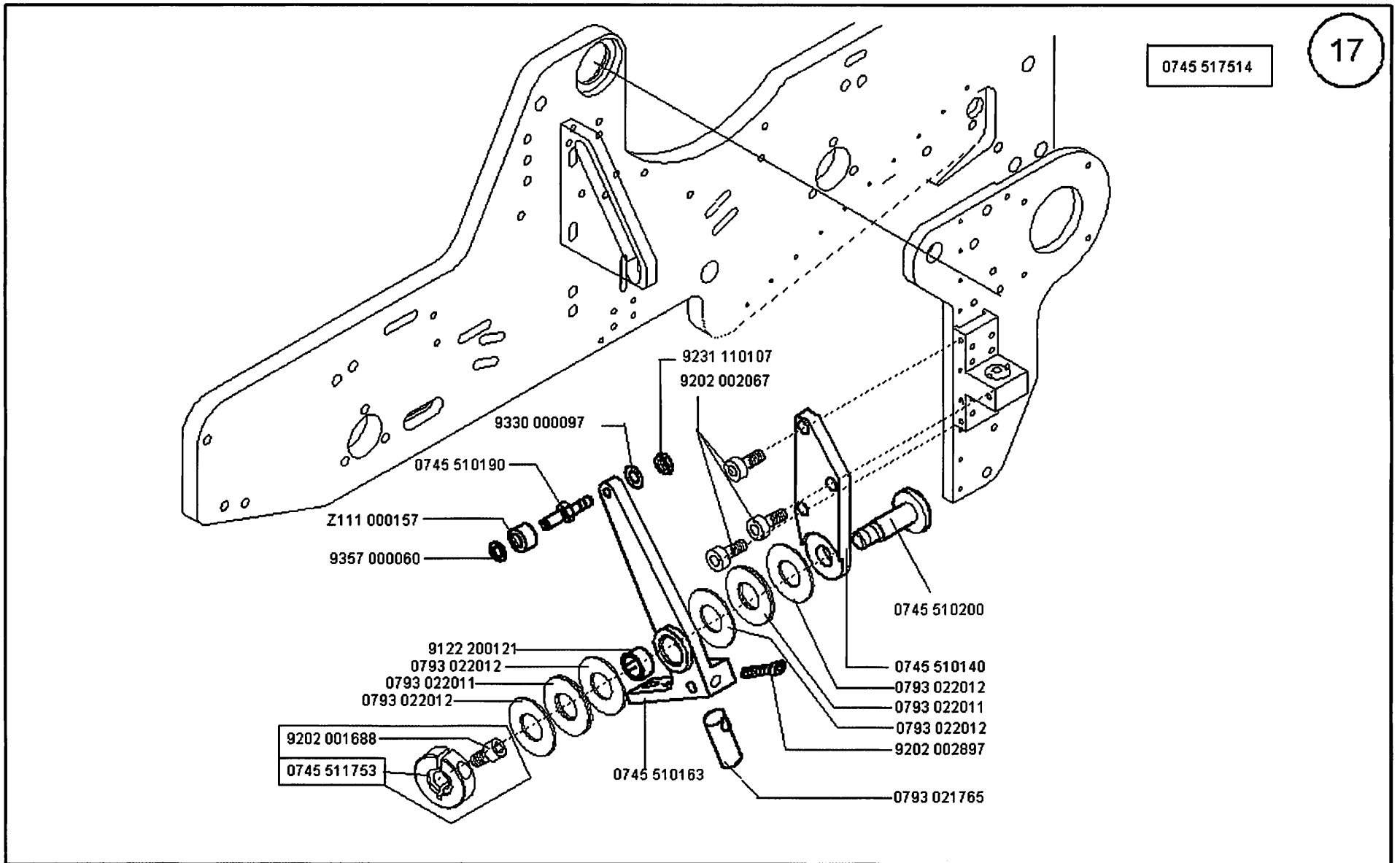
Scale 50 %

CI. 745-34

Ausgabe/Edition 02.2004

From the library of: Superior Sewing Machine & Supply LLC

From the library of: Superior Sewing Machine & Supply LLC



Scale 50 %

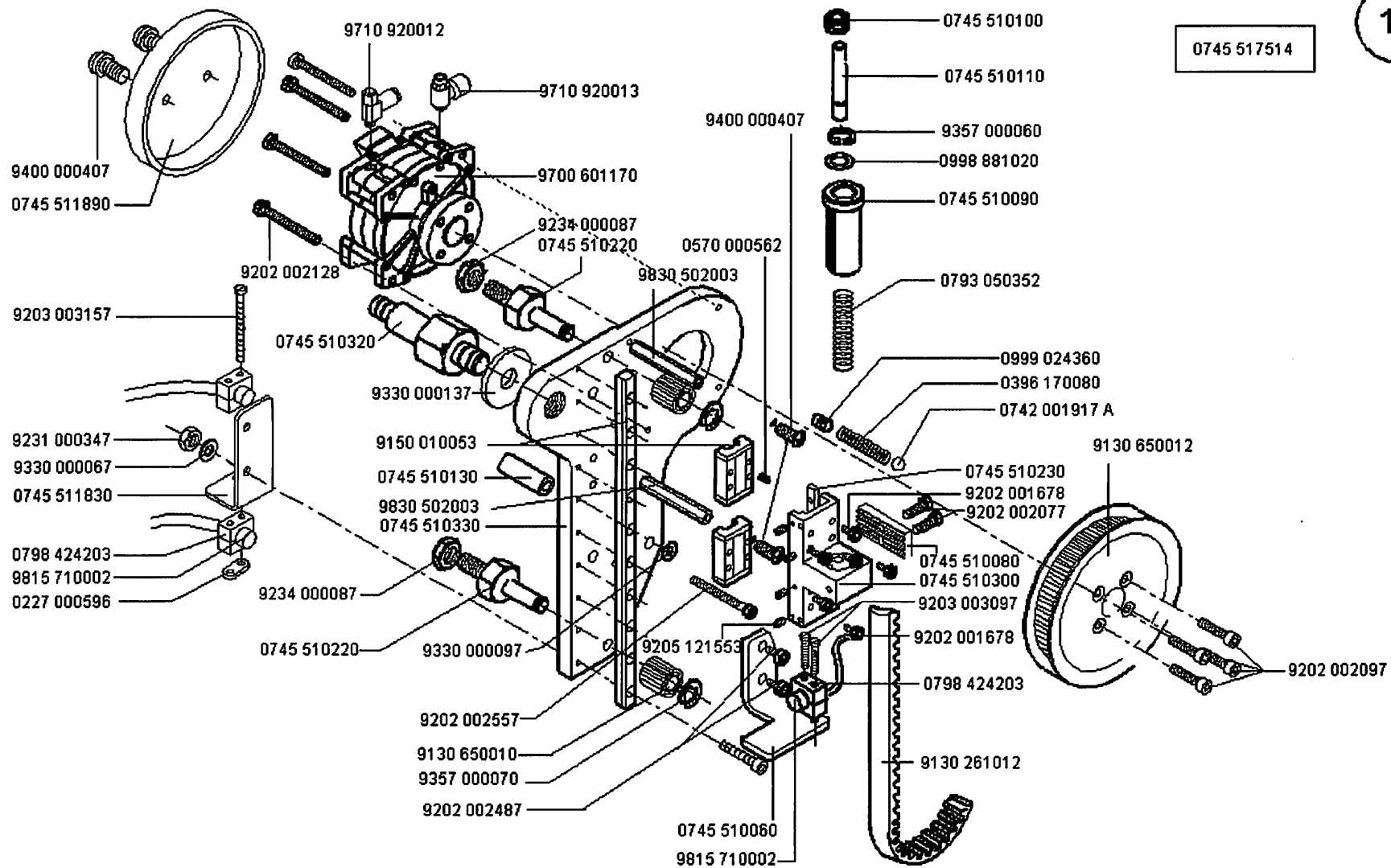
Cl. 745-34

Ausgabe/Edition 09.2003

From the library of: Superior Sewing Machine & Supply LLC

From the library of: Superior Sewing Machine & Supply LLC

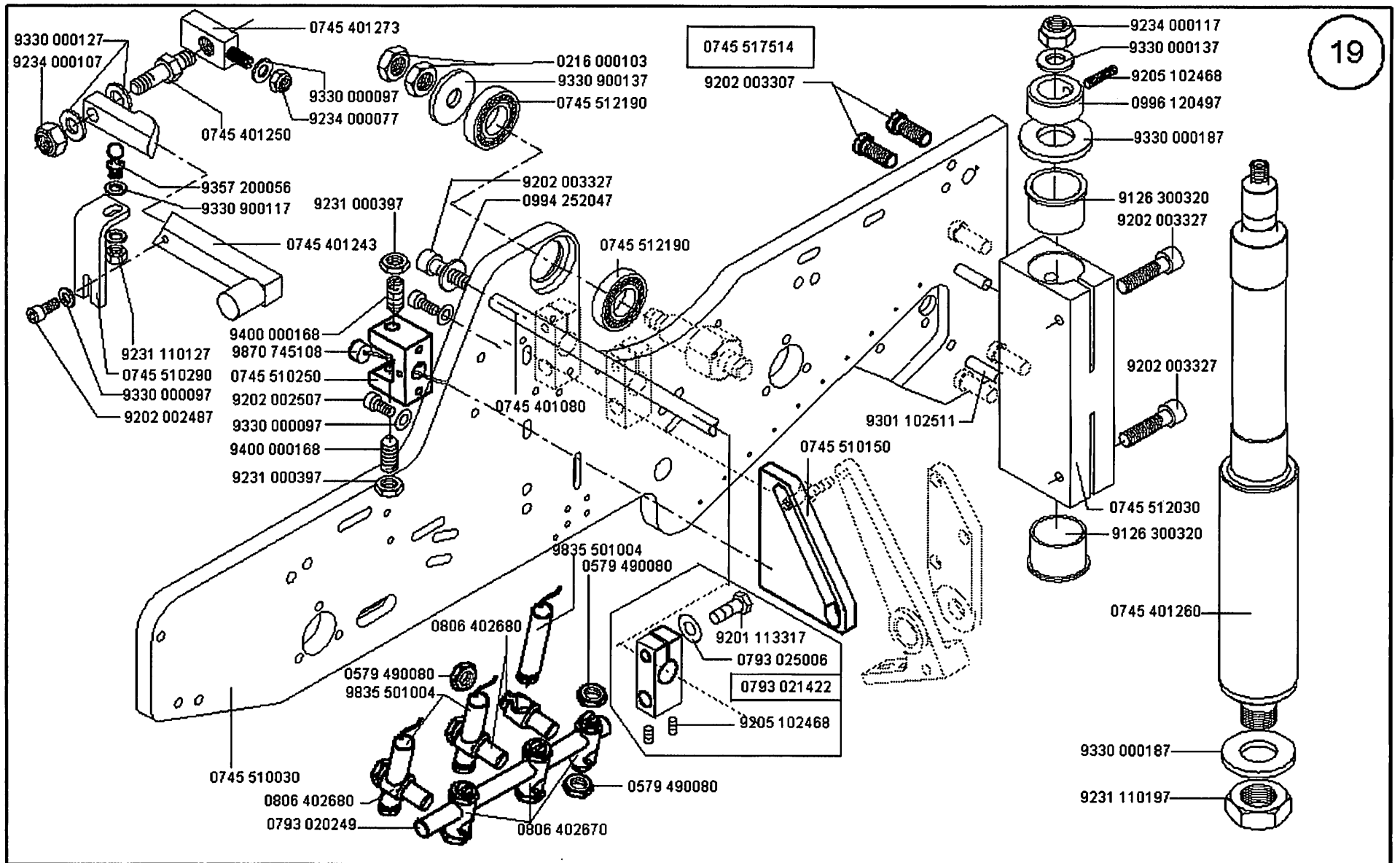
0745 517514



Scale 50 %

Cl. 745-34

Ausgabe/Edition 02.2004



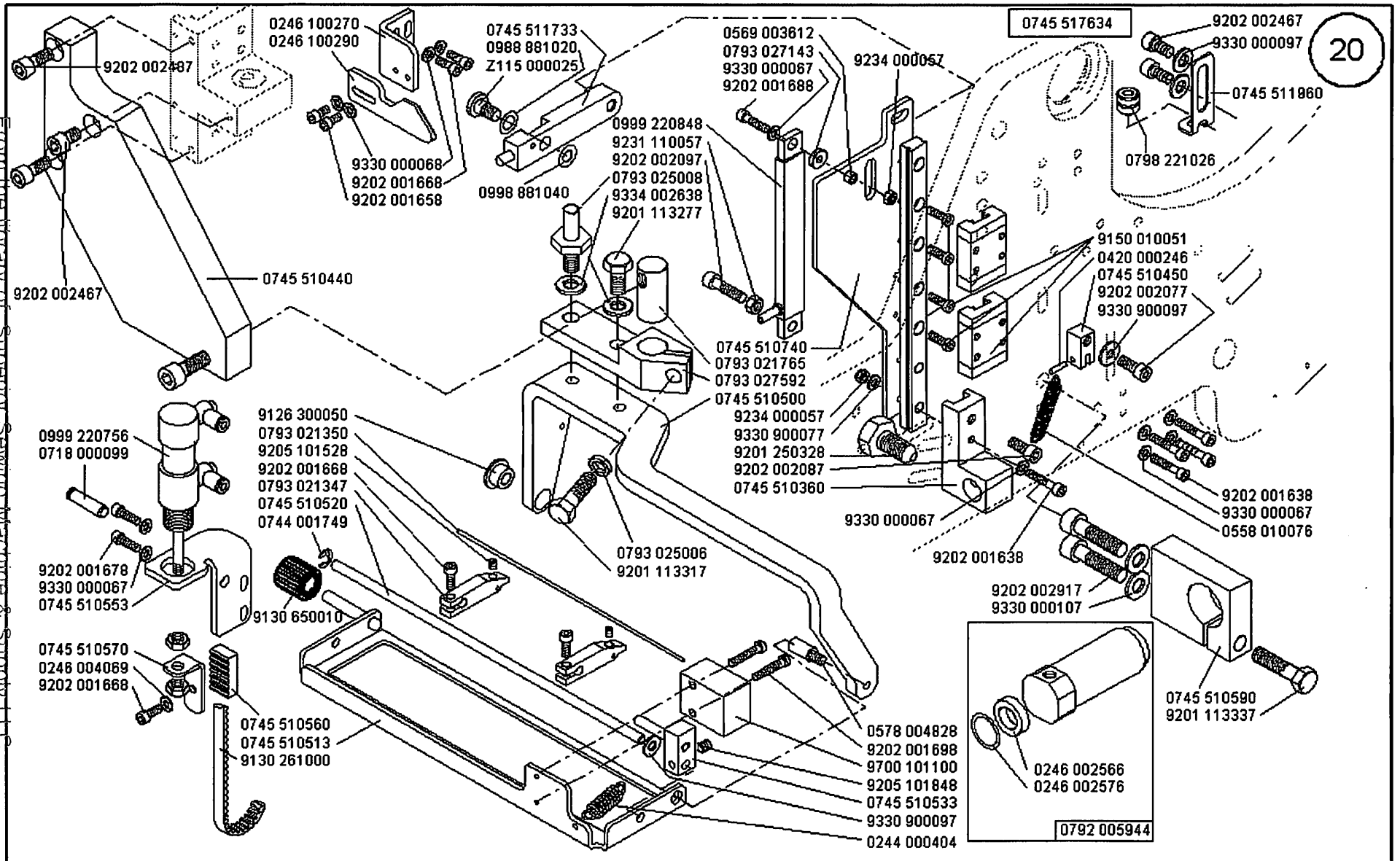
Scale 40 %

Cl. 745-34

Ausgabe/Edition 02.2004

From the library of: Superior Sewing Machine & Supply LLC

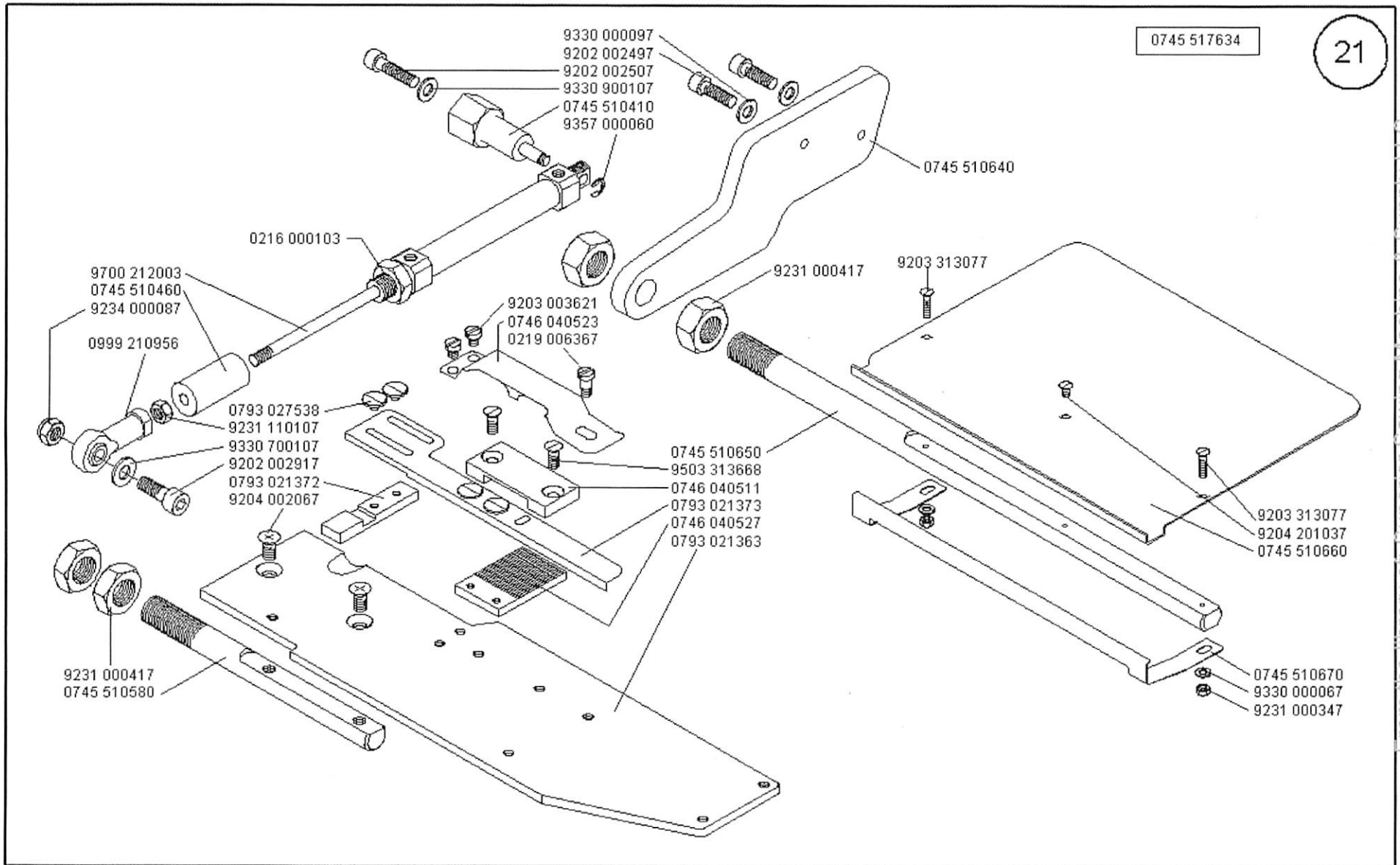
From the library of: Superior Sewing Machine & Supply LLC



Scale 50 %

Cl. 745-34

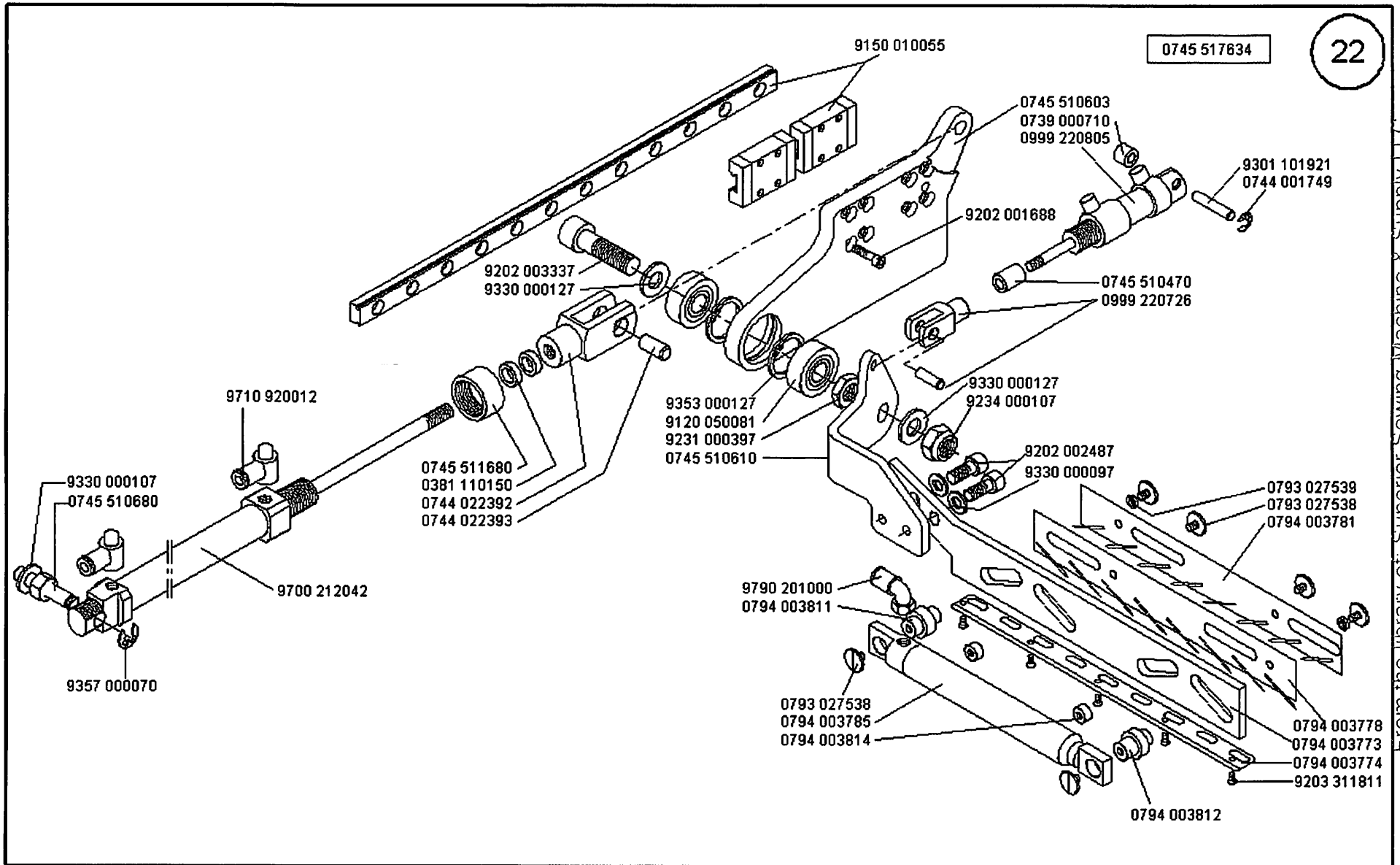
Ausgabe/Edition 02.2004



Scale 50 %

Cl. 745-34

Ausgabe/Edition 02.2004

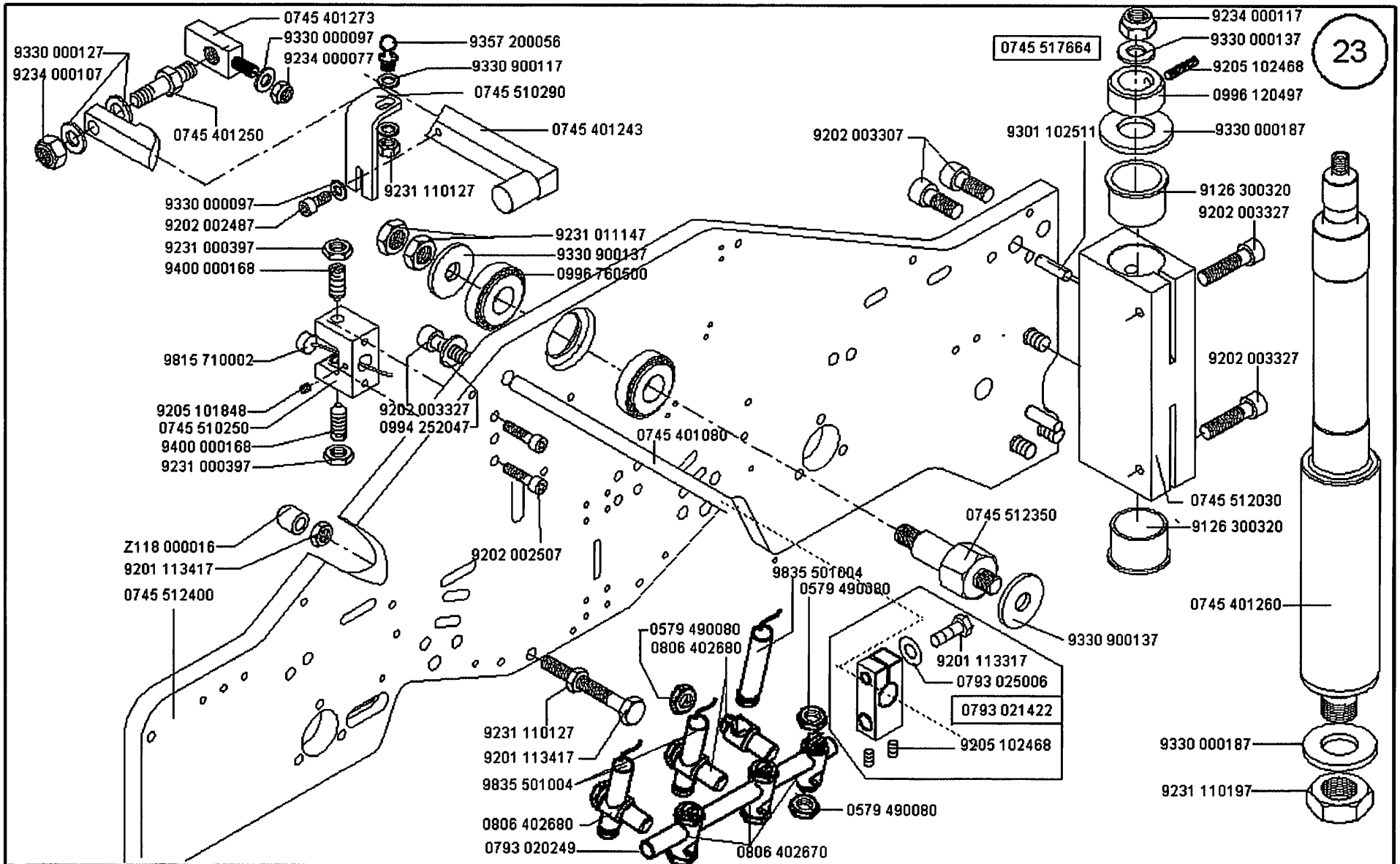


Scale 50 %

Cl. 745-34

Ausgabe/Edition 02.2004

From the library of: Superior Sewing Machine & Supply LLC



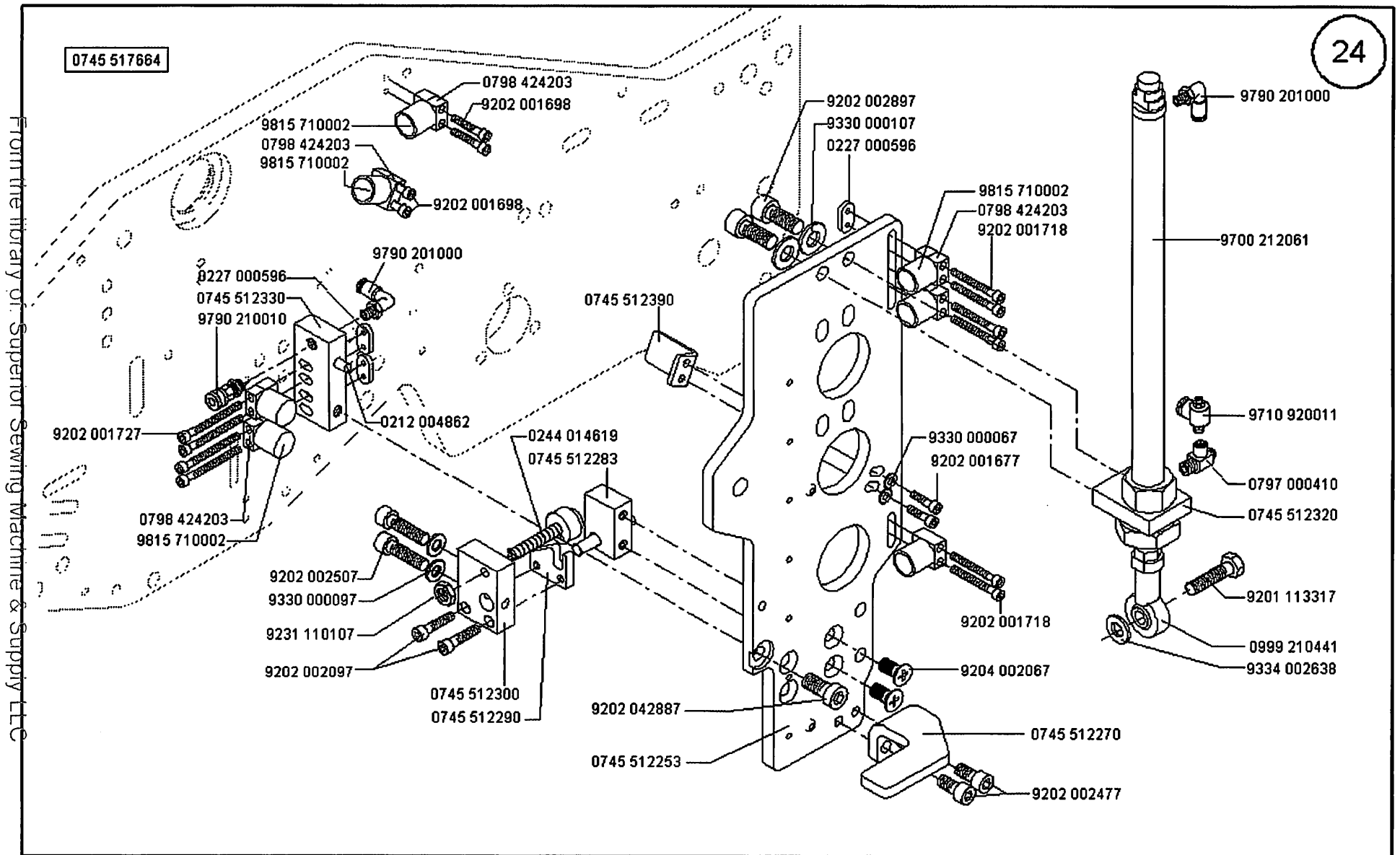
Scale 40 %

Cl. 745-34

Ausgabe/Edition 02.2004

From the library of: Superior Sewing Machine & Supply LLC

From the library of: Superior Sewing Machine & Supply LLC



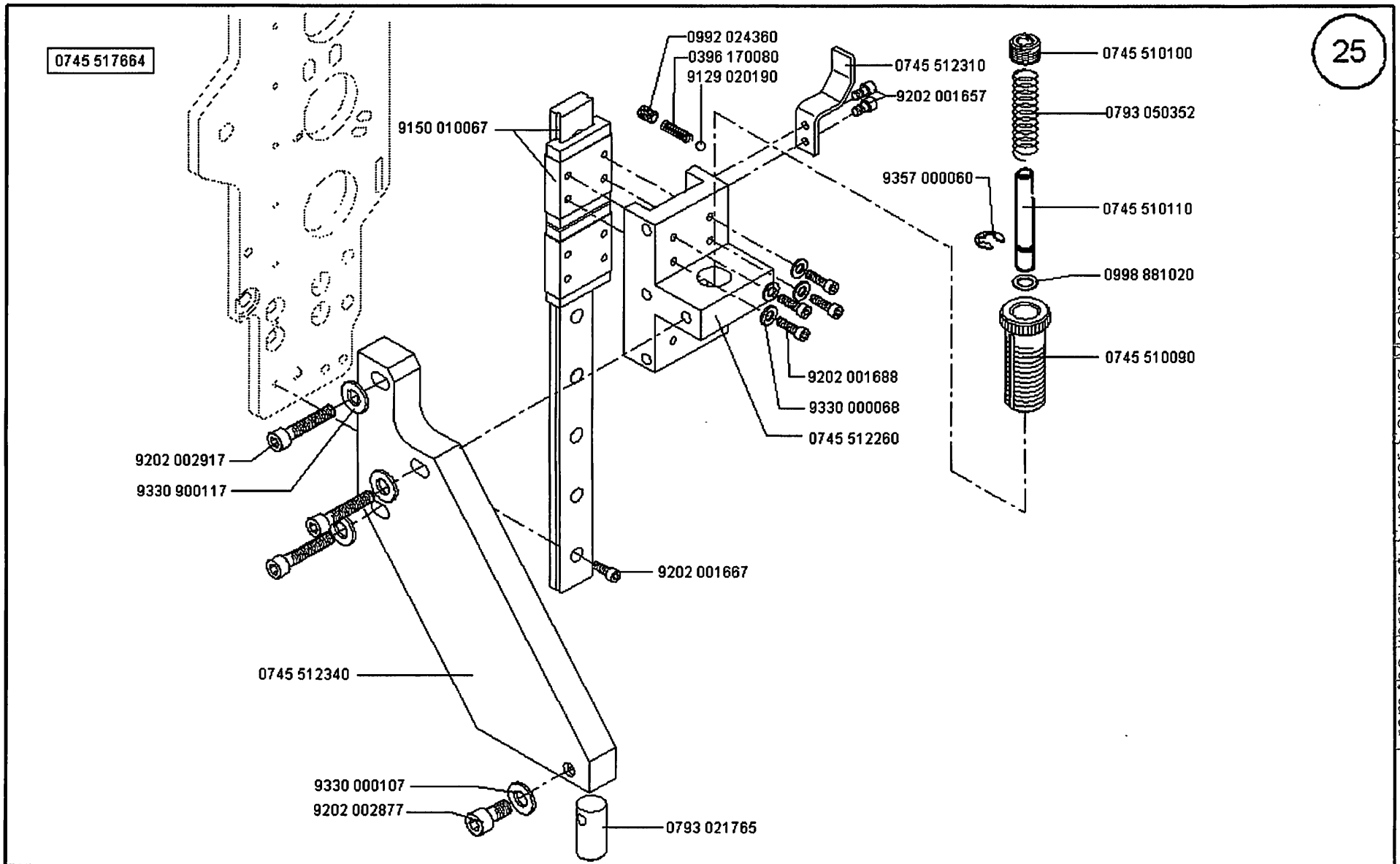
From the library of: Superior Sewing Machine & Supply LLC

Scale 50 %

Cl. 745-34

Ausgabe/Edition 06.2003

From the library of: Superior Sewing Machine & Supply LLC



Scale 50 %

Cl. 745-34

Ausgabe/Edition 09.2003

From the library of: Superior Sewing Machine & Supply LLC

From the library of: Superior Sewing Machine & Supply LLC

0246 100270
0246 100290

9330 000067
9202 001667
9202 001658

0999 220848

9202 002097
9231 110057

0569 003612
0793 027143
9330 000067
9202 001688

0745 510740
9234 000057
9330 900077

0745 510370

9201 250328

9201 113337
9334 002638
0999 210441

9234 000057
0798 221026
9202 001638

9150 010051
0420 000246
0745 510450
9202 002077
9330 900097

0745 510750
9202 002087
9202 001708
9330 900077

9202 002467
9330 000097
0745 511960

Z115 000025
0988 881020
0745 511733

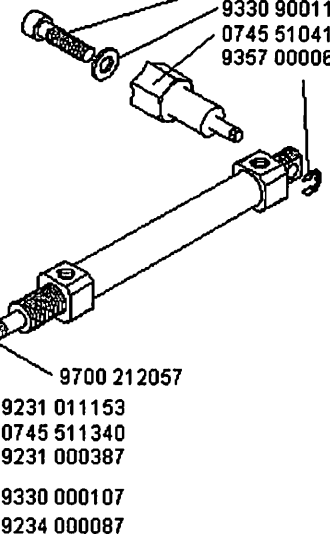
9330 400027

9330 900077
9202 001698

0745 517664

26

9202 002917
9330 900117
0745 510410
9357 000060

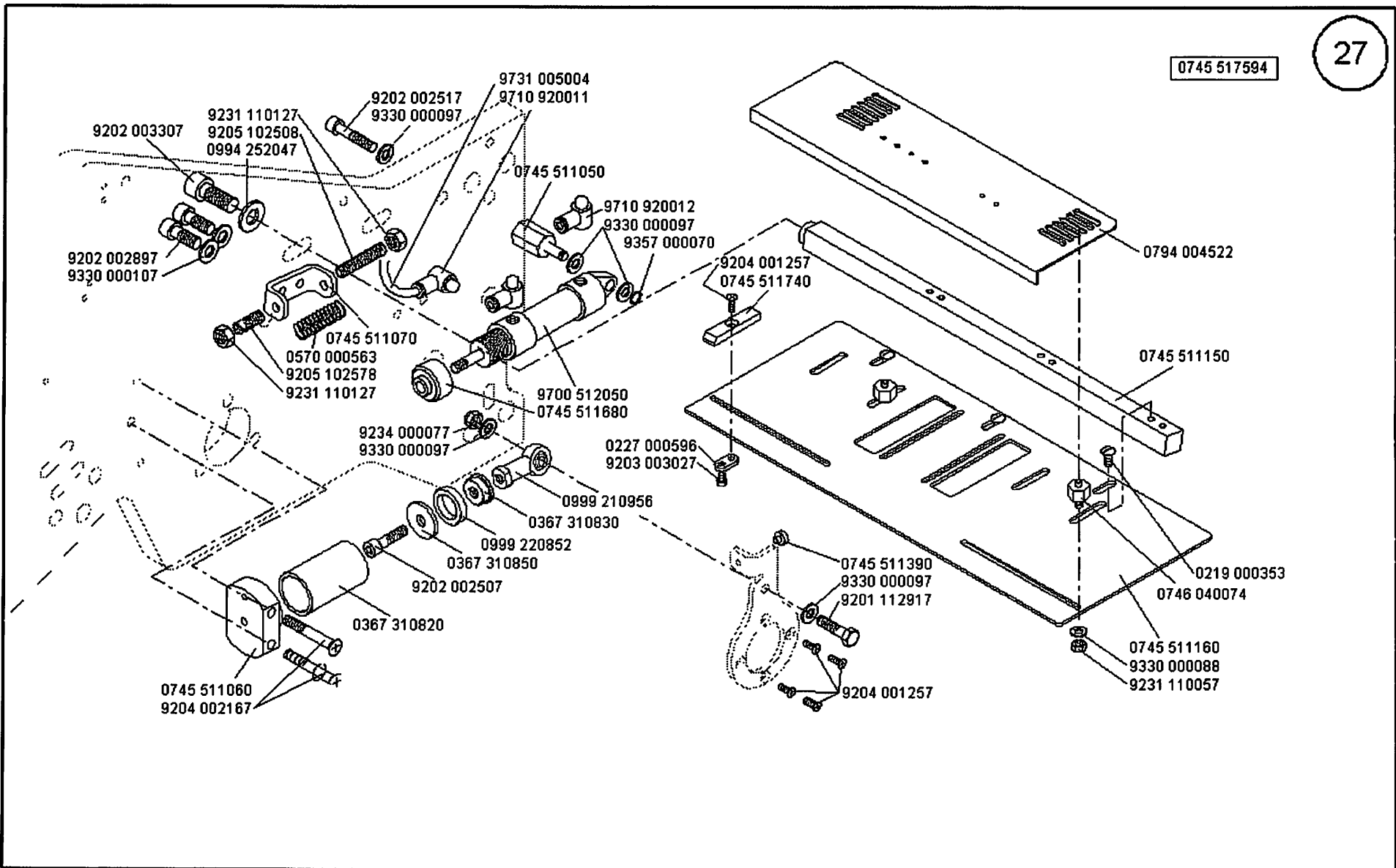


Scale 50%

Cl. 745-34

Ausgabe/Edition 09.2003

0745 517594



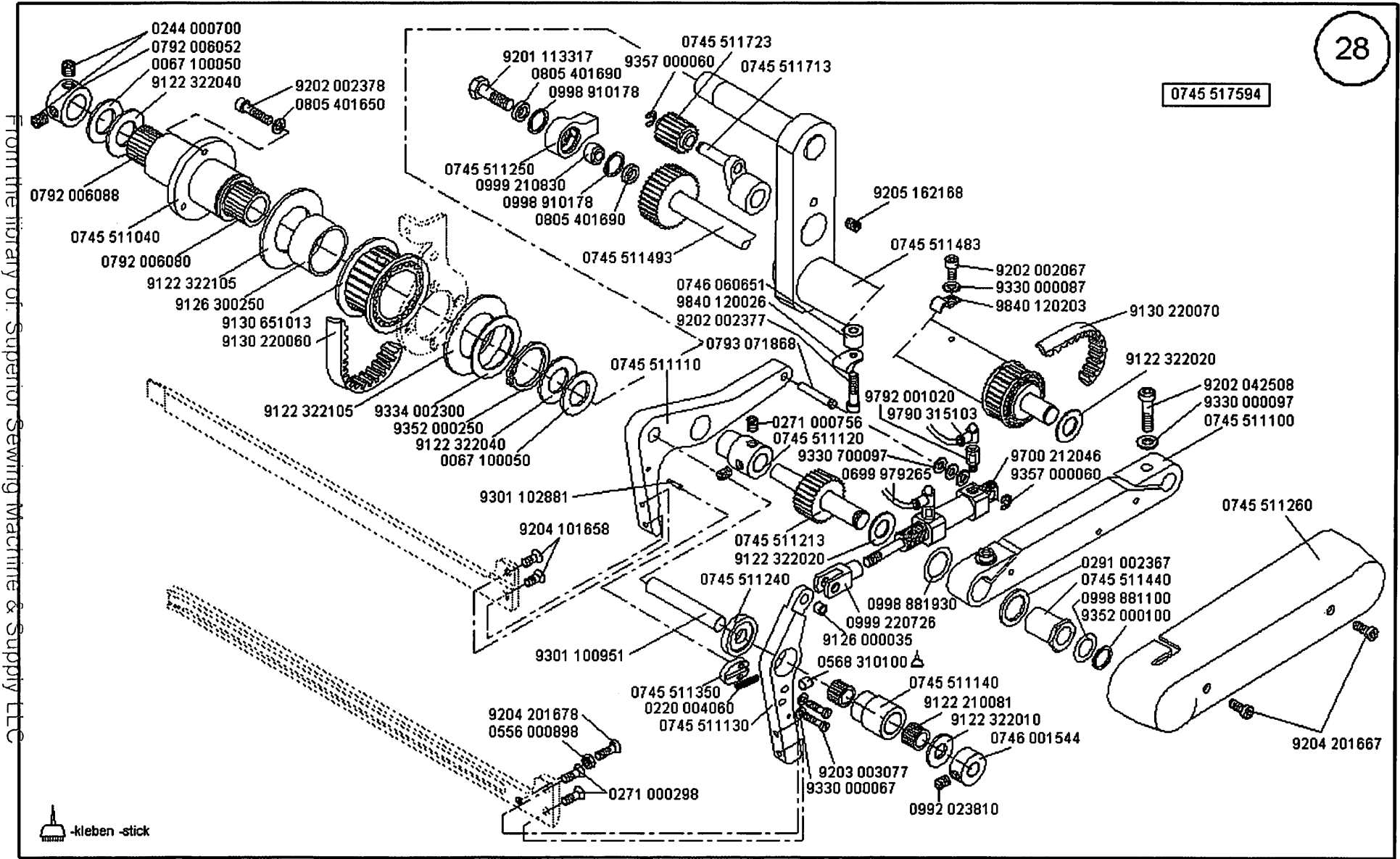
Scale 50 %

Cl. 745-34

Ausgabe/Edition 09. 2003

From the library of: Superior Sewing Machine & Supply LLC

0745 517594



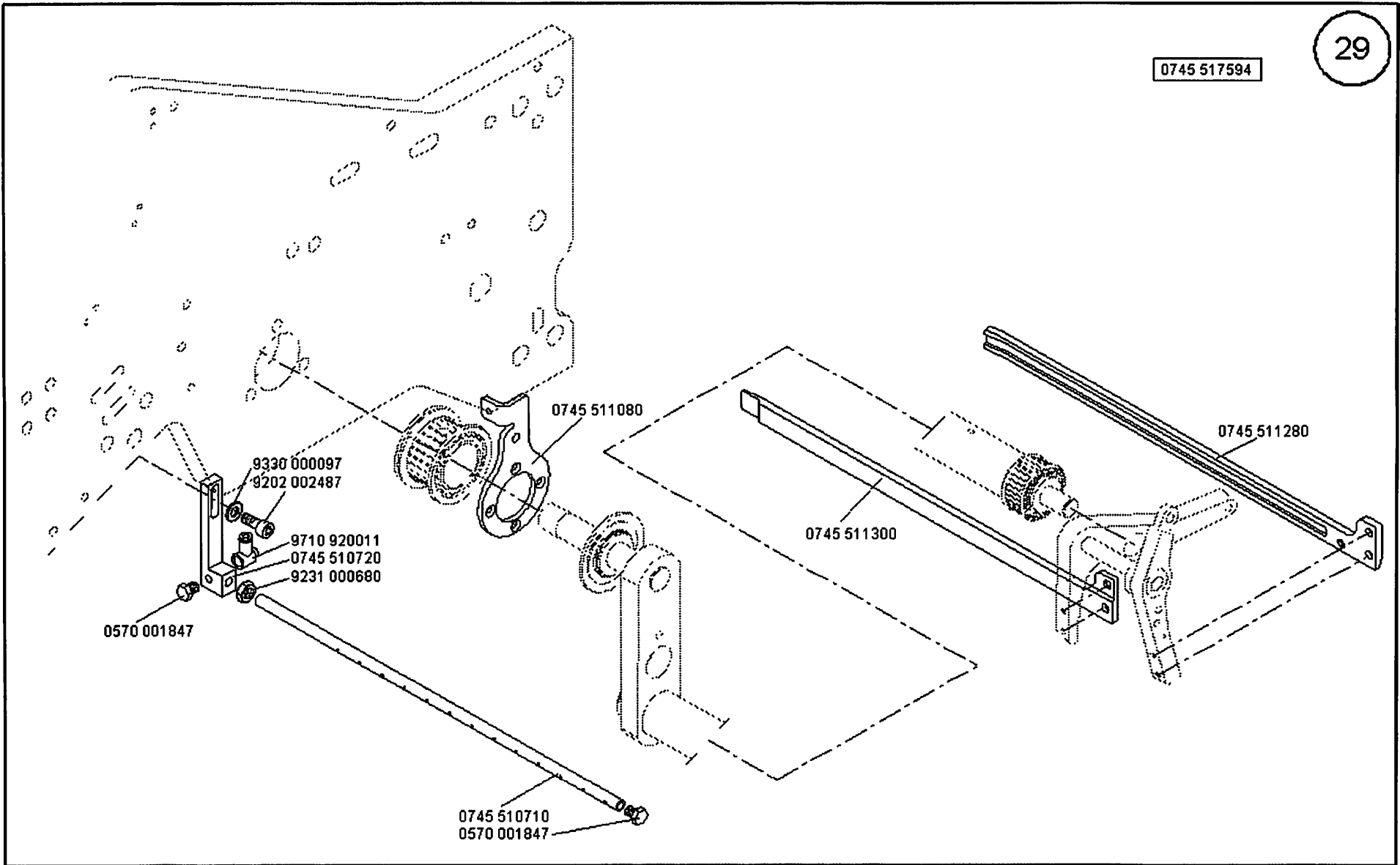
From the library of: Superior Sewing Machine & Supply LLC



Scale 50 %

Cl. 745-34

Ausgabe/Edition 10.2002



Scale 40 %

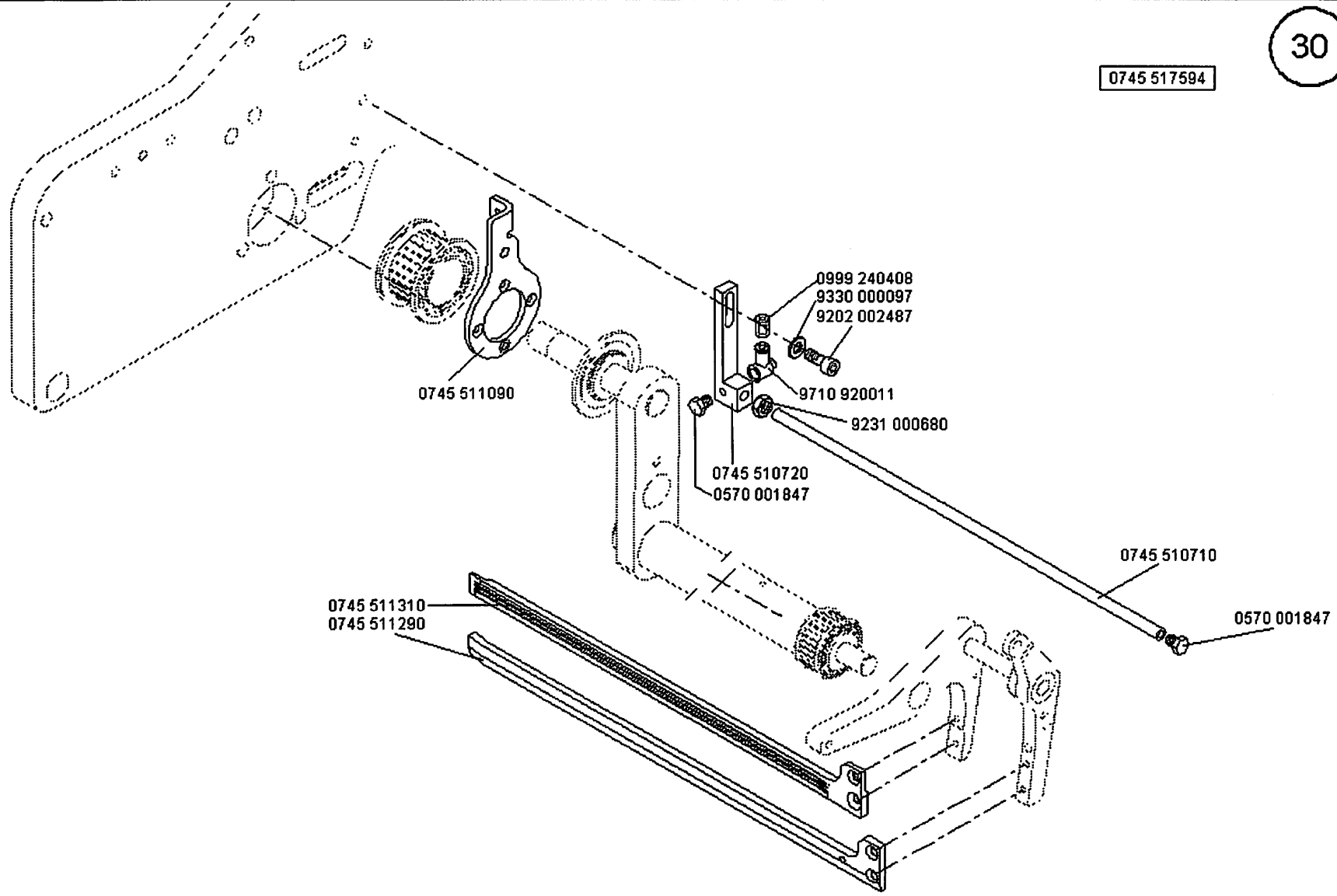
Cl. 745-34

Ausgabe/Edition 02.2004

From the library of: Superior Sewing Machine & Supply LLC

From the library of: Superior Sewing Machine & Supply LLC

0745 517594



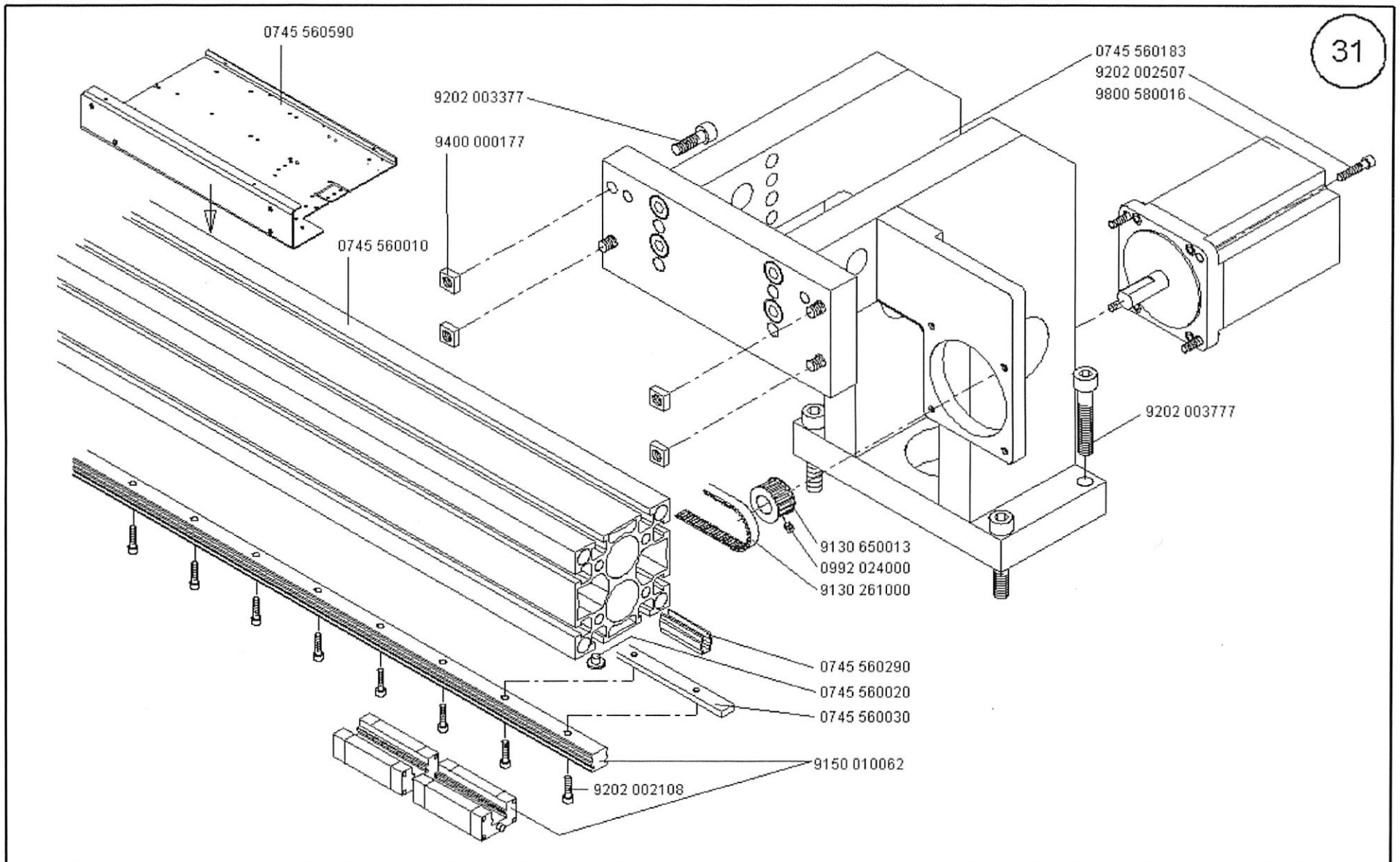
Scale 40 %

CI. 745-34

Ausgabe/Edition 02.2004

From the library of: Superior Sewing Machine & Supply LLC

From the library of: Superior Sewing Machine & Supply LLC



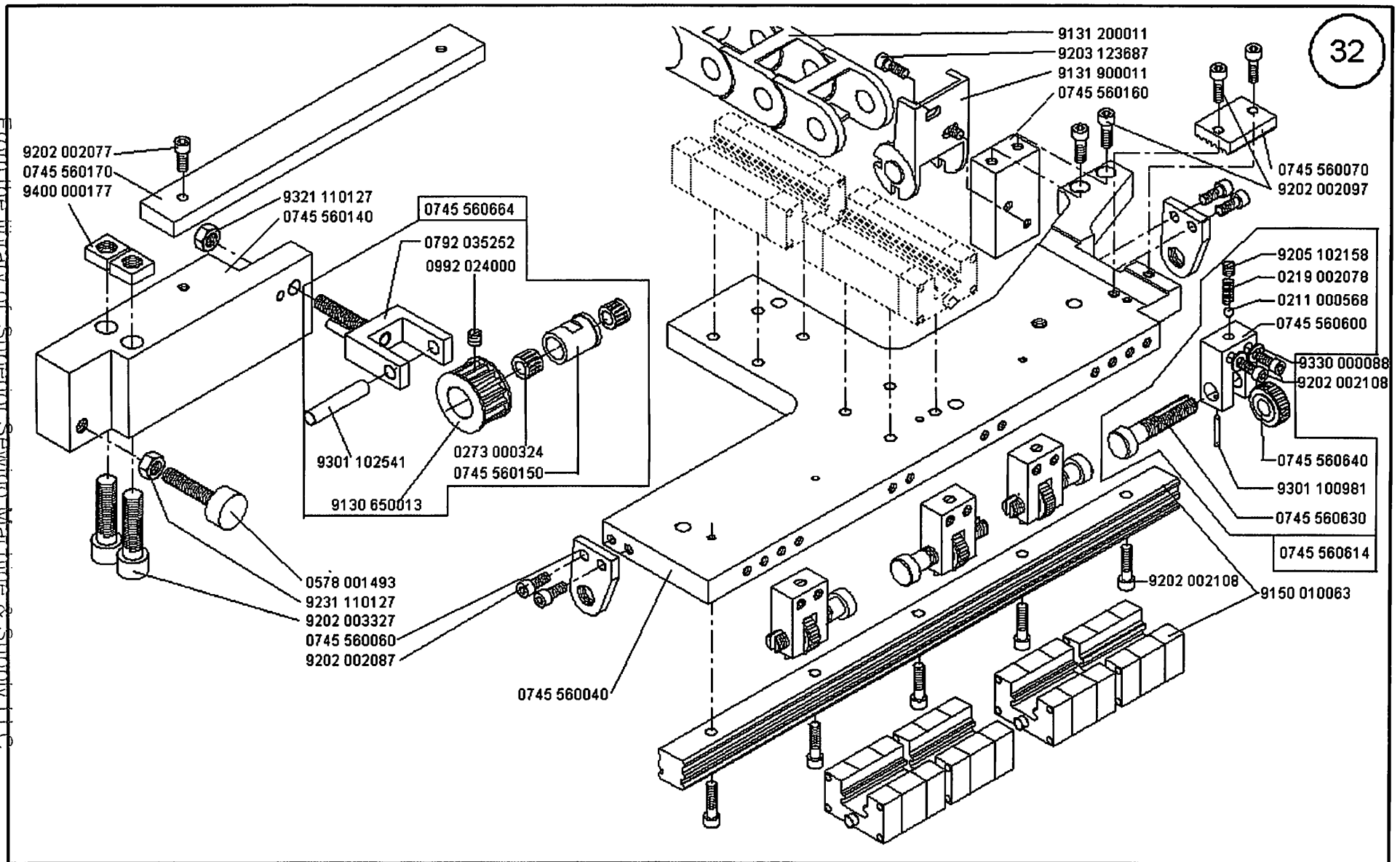
Scale 40 %

Cl. 745-34

Ausgabe/Edition 10.2002

From the library of: Superior Sewing Machine & Supply LLC

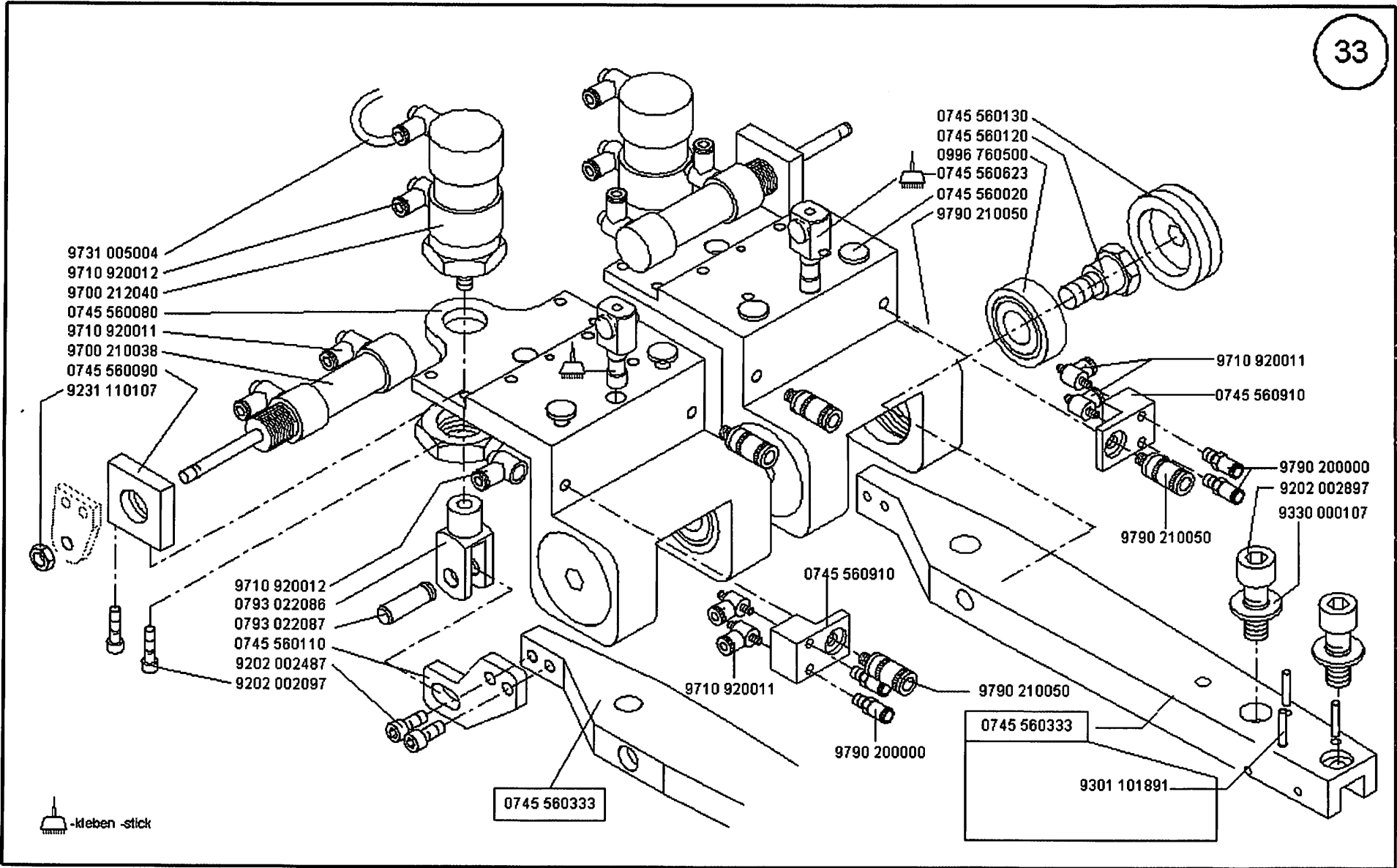
From the library of: Superior Sewing Machine & Supply LLC



Scale 50 %

Cl. 745-34

Ausgabe/Edition 10.2002

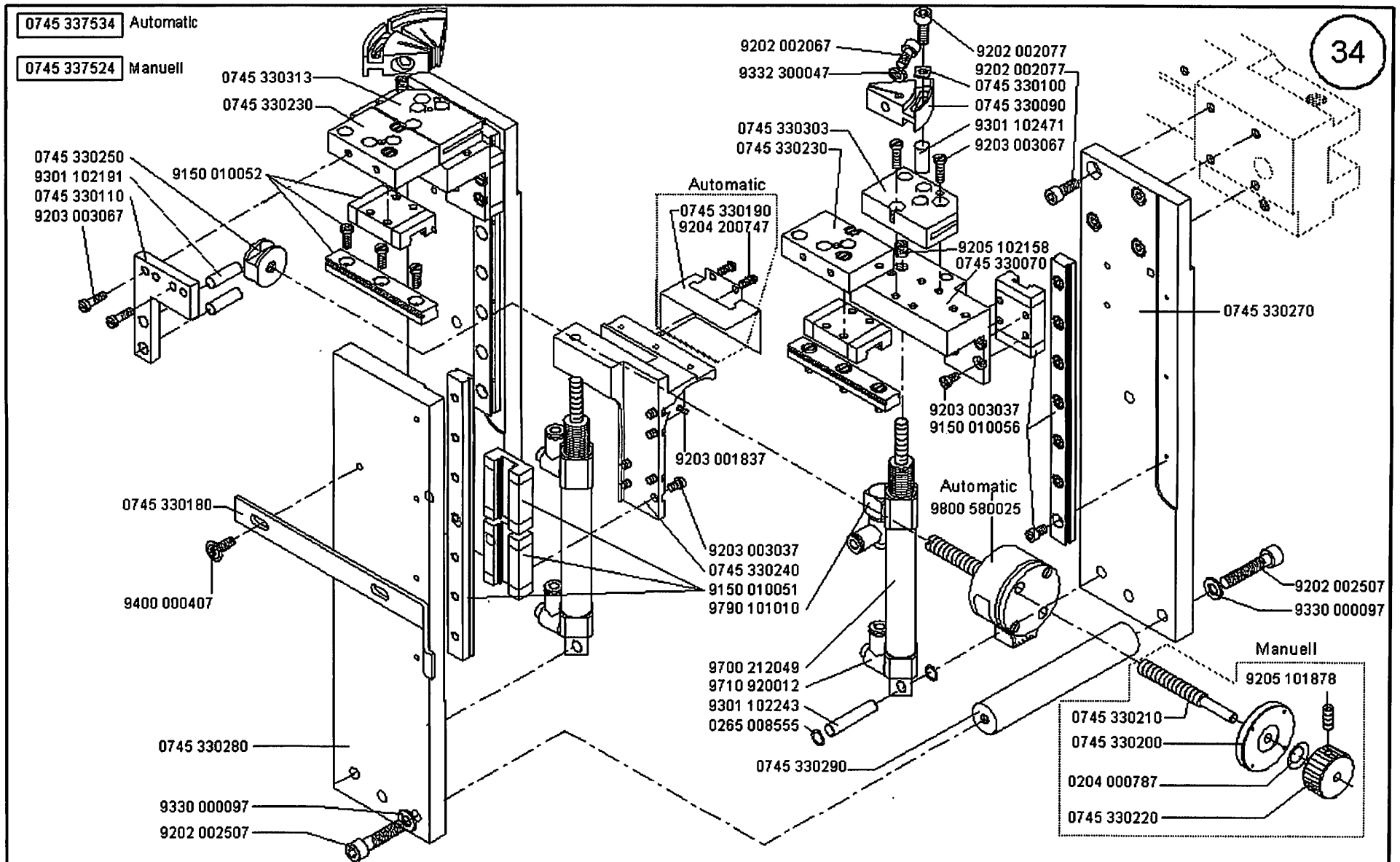


Scale 50 %

Cl. 745-34

Ausgabe/Edition 09. 2003

From the library of: Superior Sewing Machine & Supply LLC



Scale 50 %

CI. 745-34

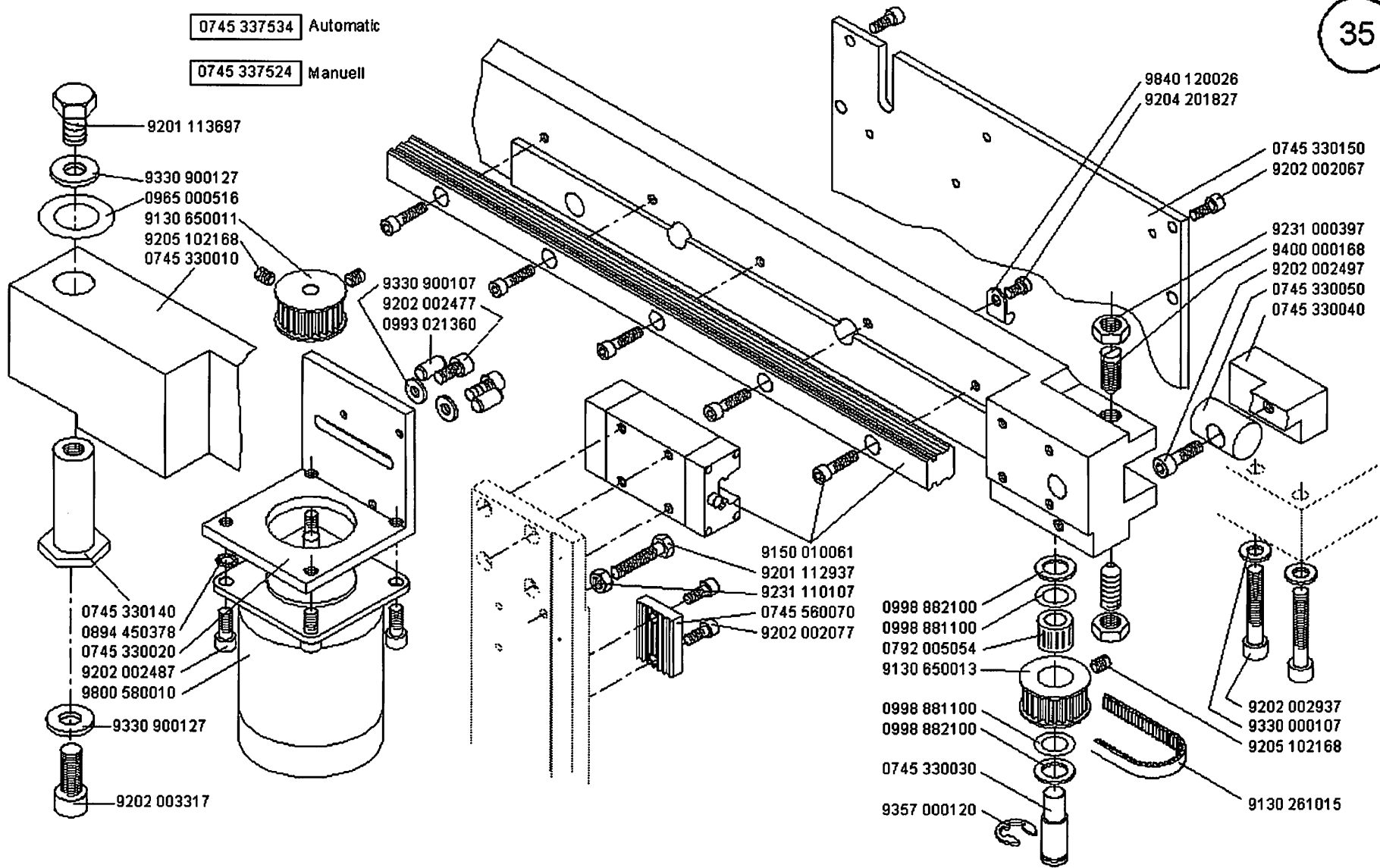
Ausgabe/Edition 02.2004

From the library of: Superior Sewing Machine & Supply LLC

From the library of: Superior Sewing Machine & Supply LLC

0745 337534 Automatic

0745 337524 Manuell

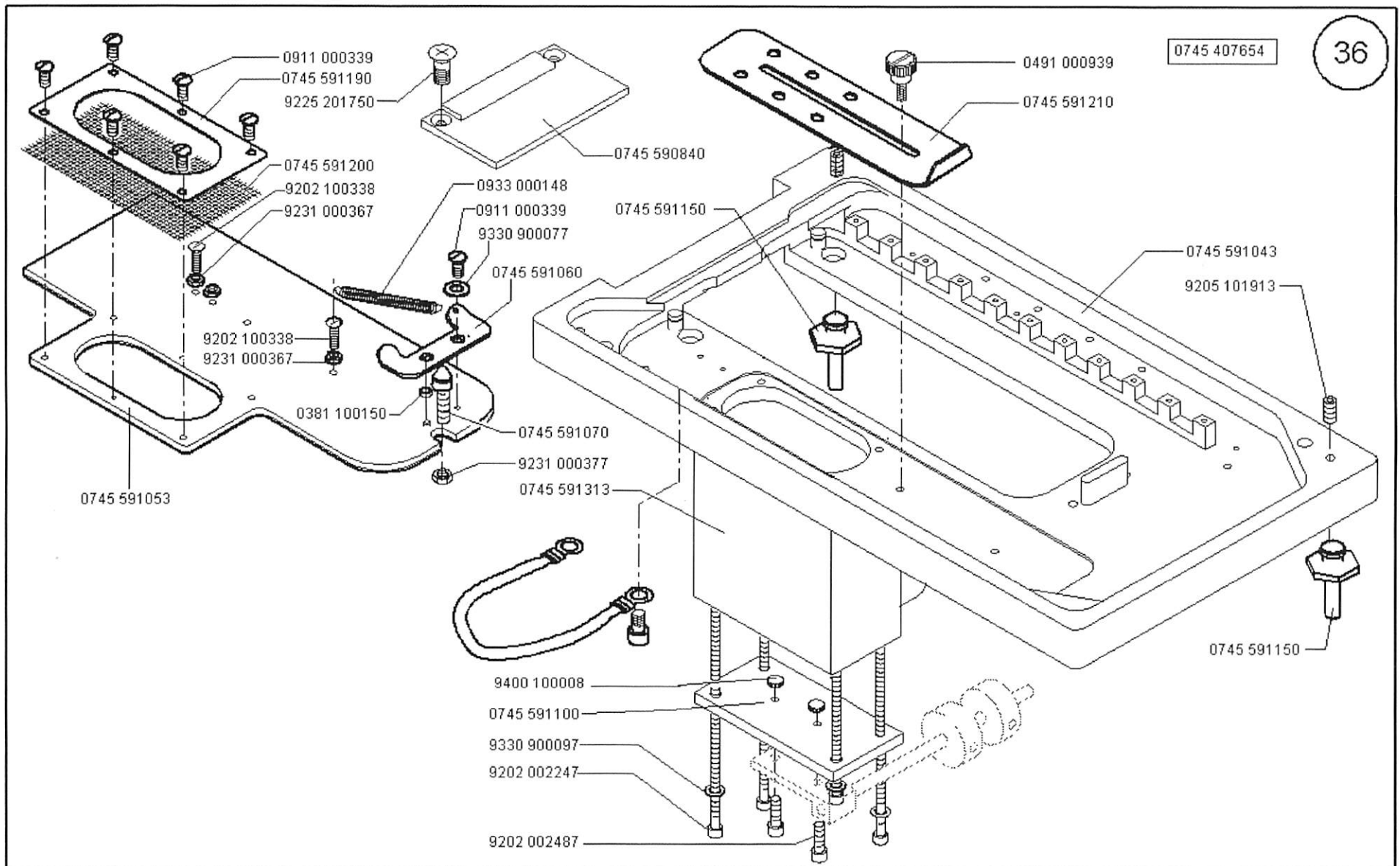


Scale 50 %

Cl. 745-34

Ausgabe/Edition 02.2004

From the library of: Superior Sewing Machine & Supply LLC



Scale 50 %

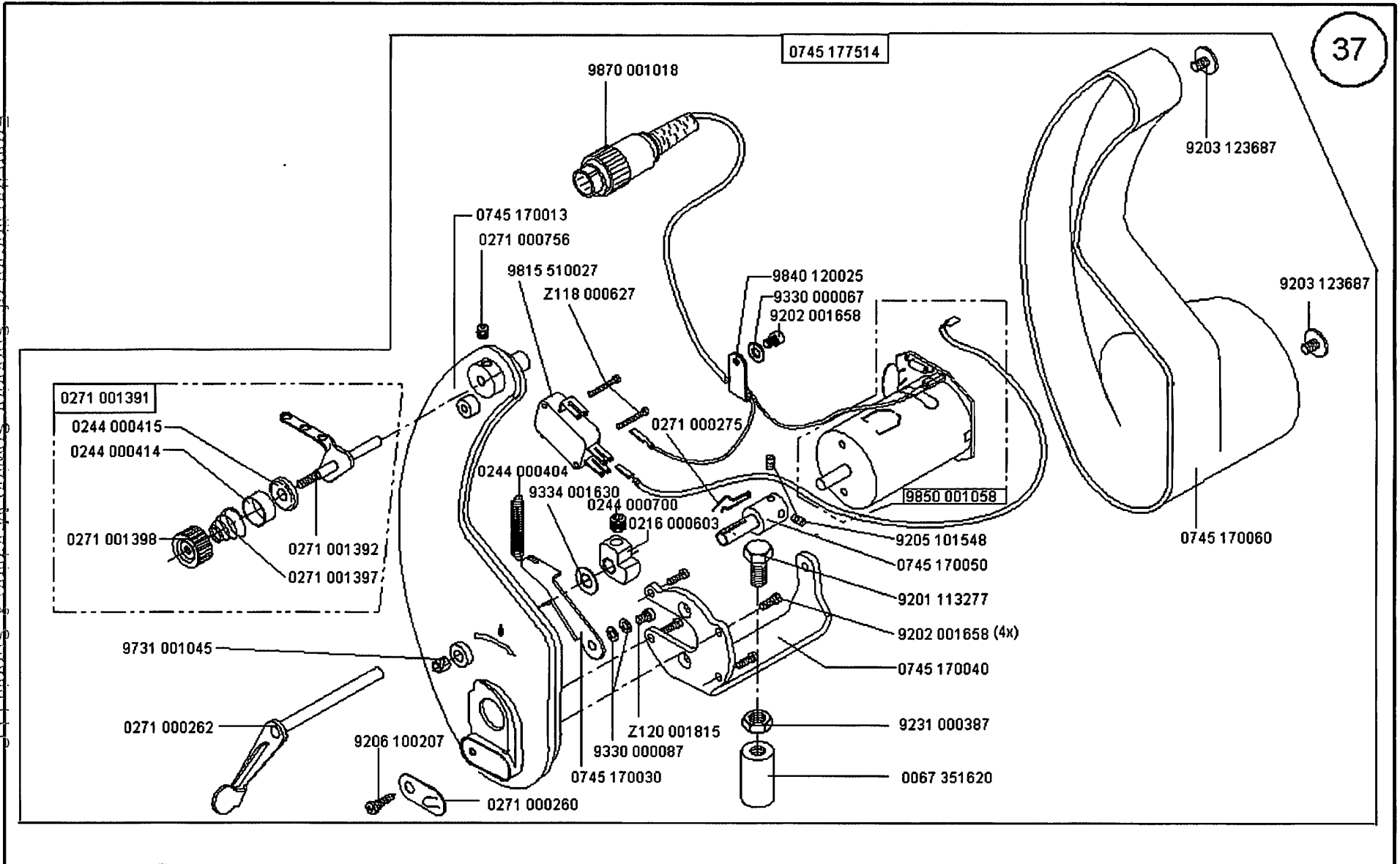
Cl. 745-34

Ausgabe/Edition 01.2004

From the library of: Superior Sewing Machine & Supply LLC

From the library of: Superior Sewing Machine & Supply LLC

From the library of: Superior Sewing Machine & Supply LLC



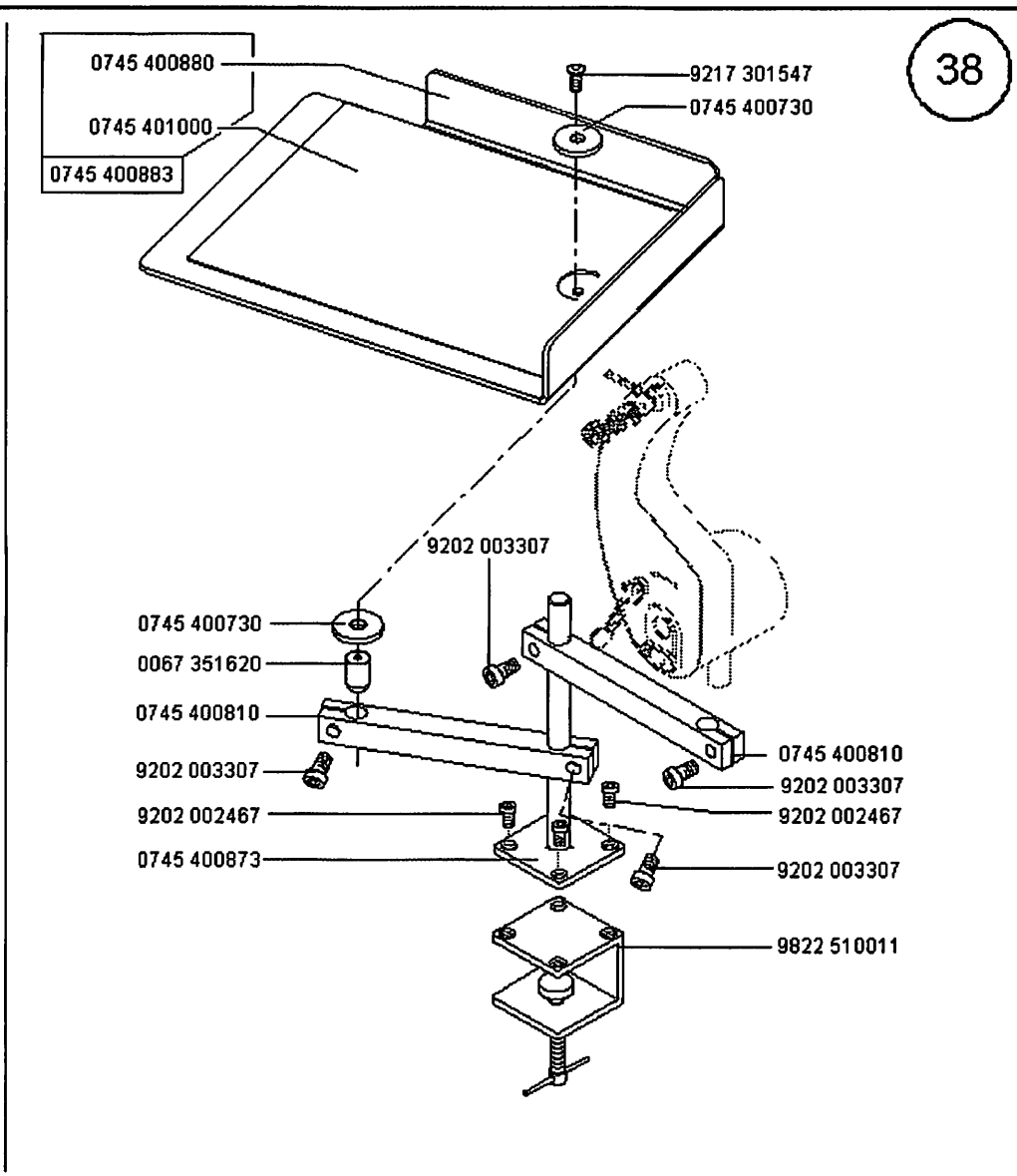
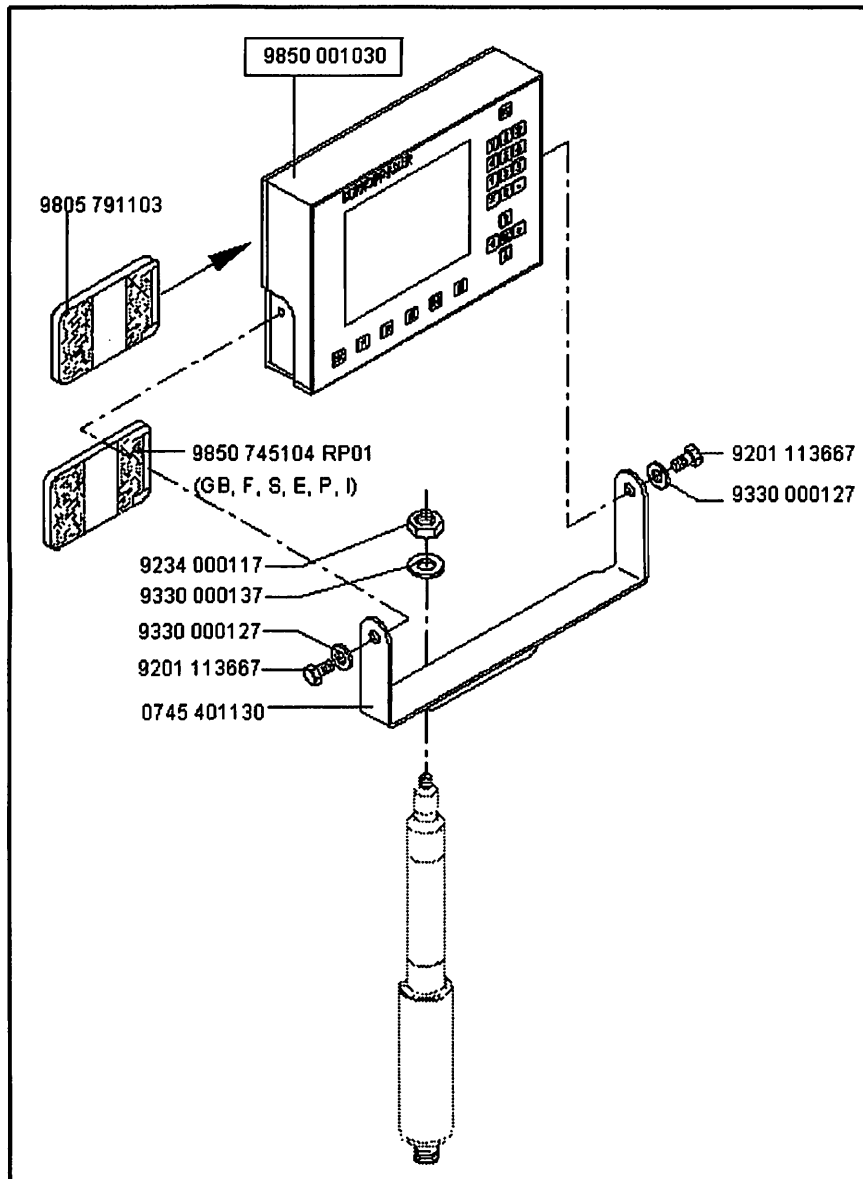
37

Scale 50 %

Cl. 745-34

Ausgabe/Edition 02.2004

From the library of: Superior Sewing Machine & Supply LLC



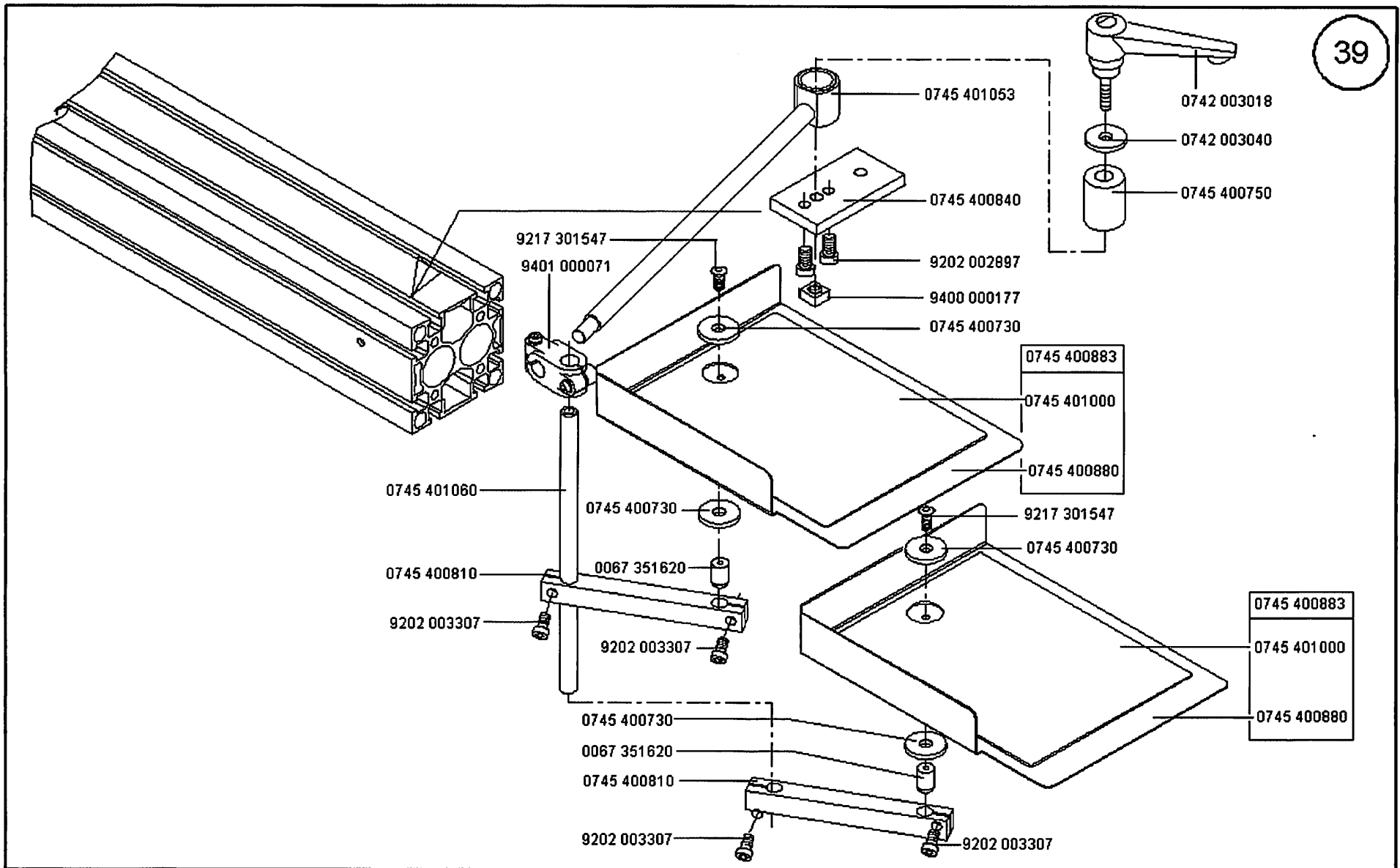
Scale 50 %

Cl. 745-34

Ausgabe/Edition 02.2004

From the library of: Superior Sewing Machine & Supply LLC

From the library of: Superior Sewing Machine & Supply LLC



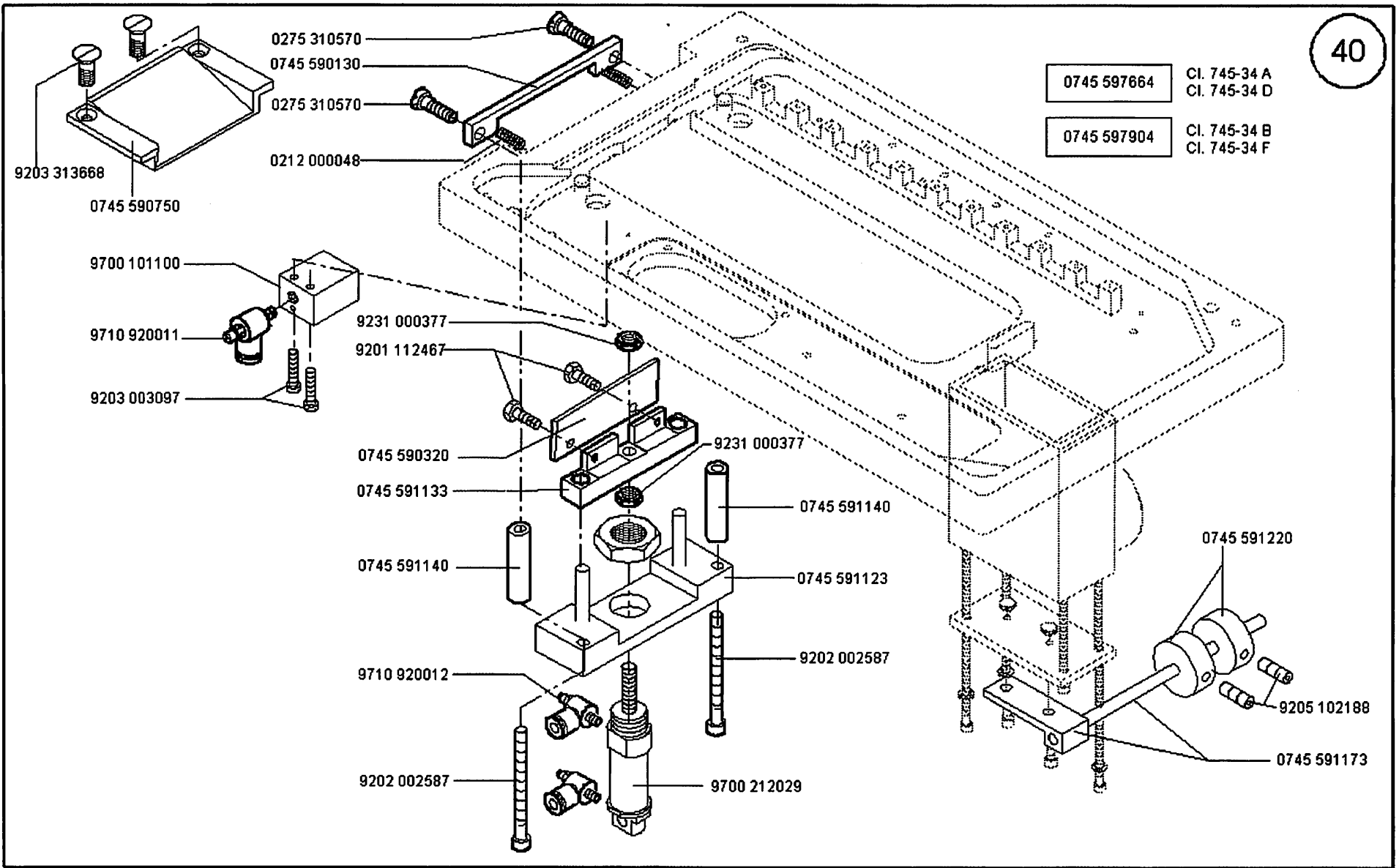
Scale 50 %

Cl. 745-34

Ausgabe/Edition 02.2004

From the library of: Superior Sewing Machine & Supply LLC

From the library of: Superior Sewing Machine & Supply LLC



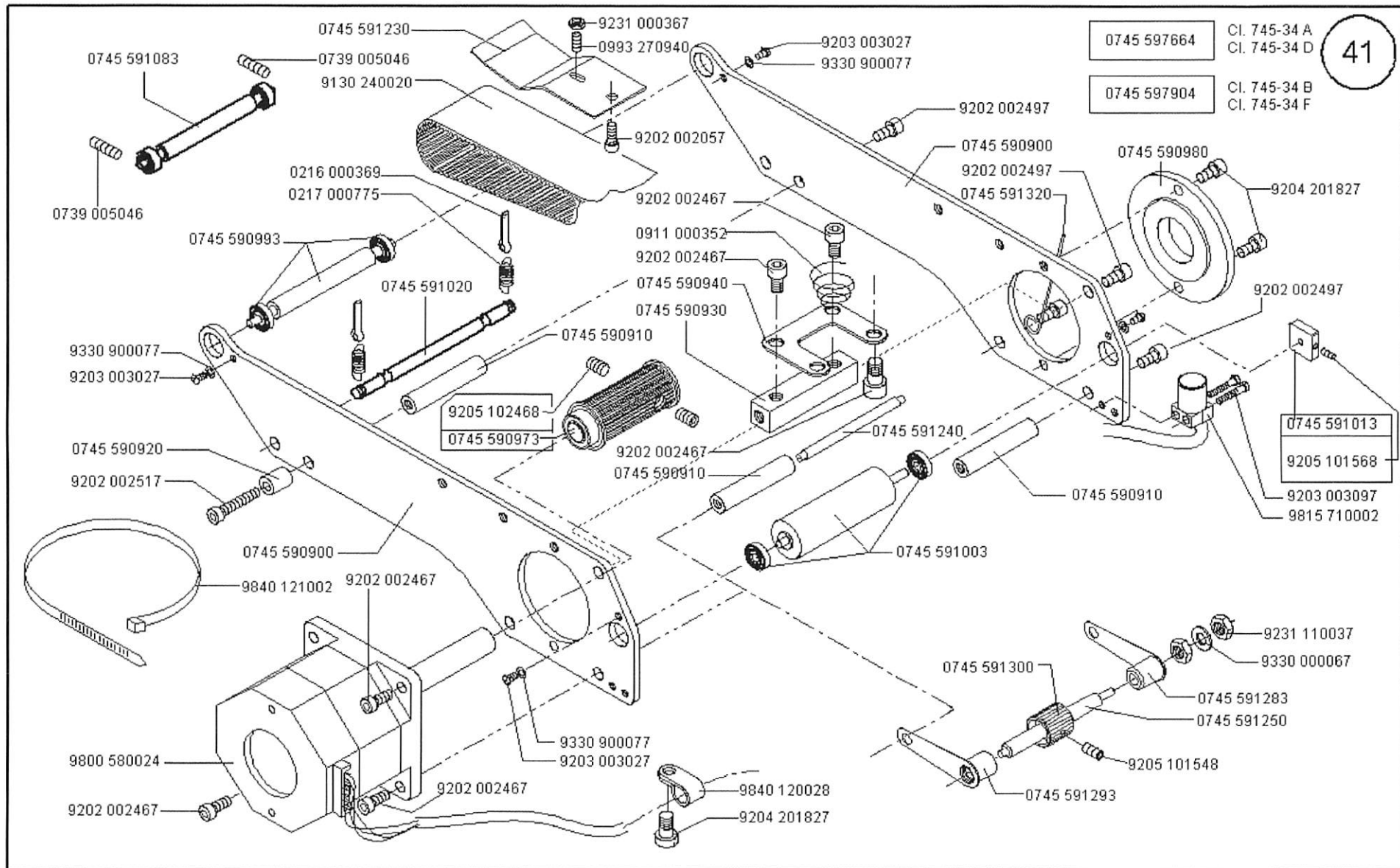
Scale 50 %

CI. 745-34

Ausgabe/Edition 04.2004

From the library of: Superior Sewing Machine & Supply LLC

From the library of: Superior Sewing Machine & Supply LLC



0745 597664

Cl. 745-34 A
Cl. 745-34 D

41

0745 597904

Cl. 745-34 B
Cl. 745-34 F

9205 102468
0745 590973

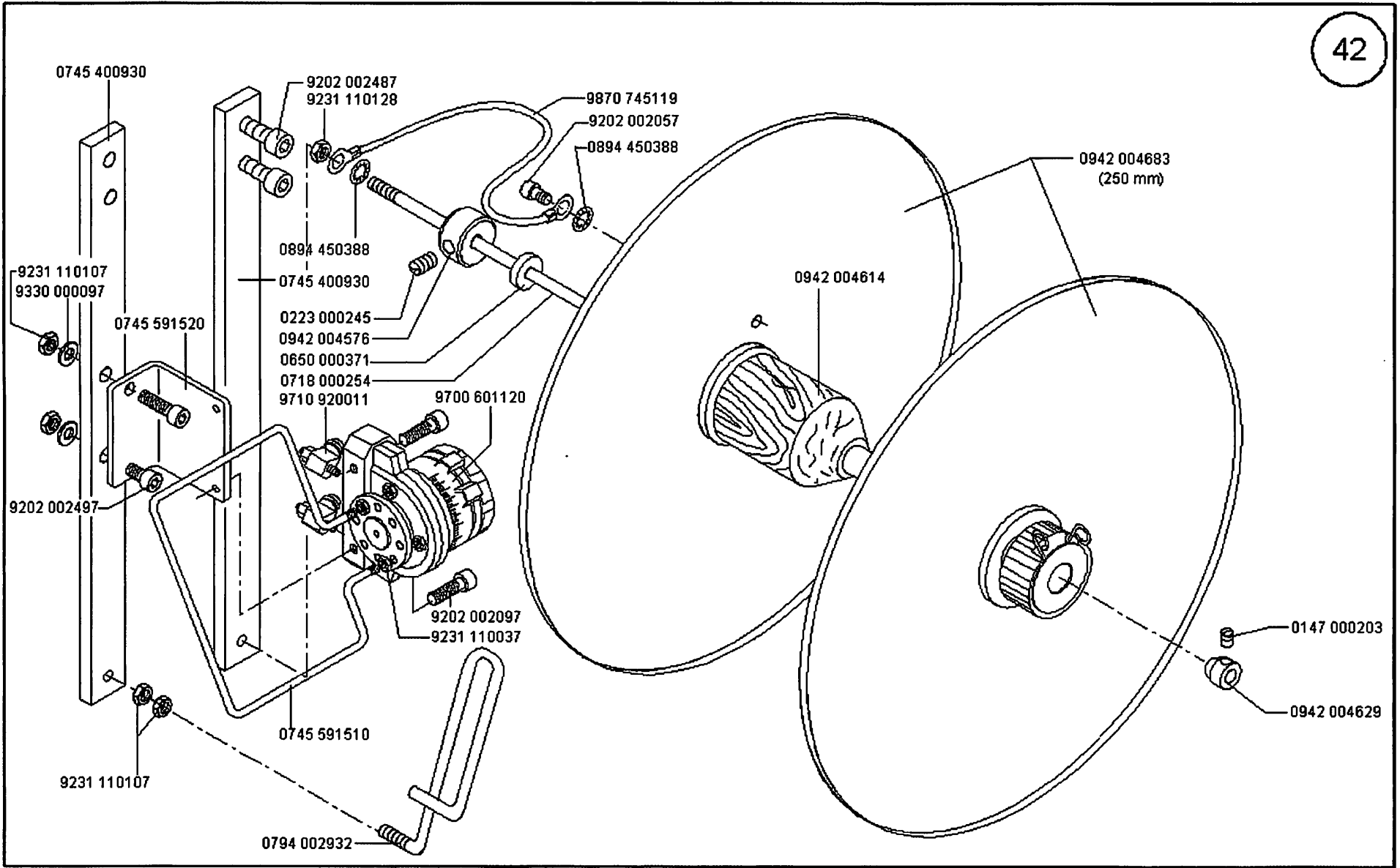
0745 591013
9205 101568

Scale 50 %

Cl. 745-34

Ausgabe/Edition 2.2004

From the library of: Superior Sewing Machine & Supply LLC



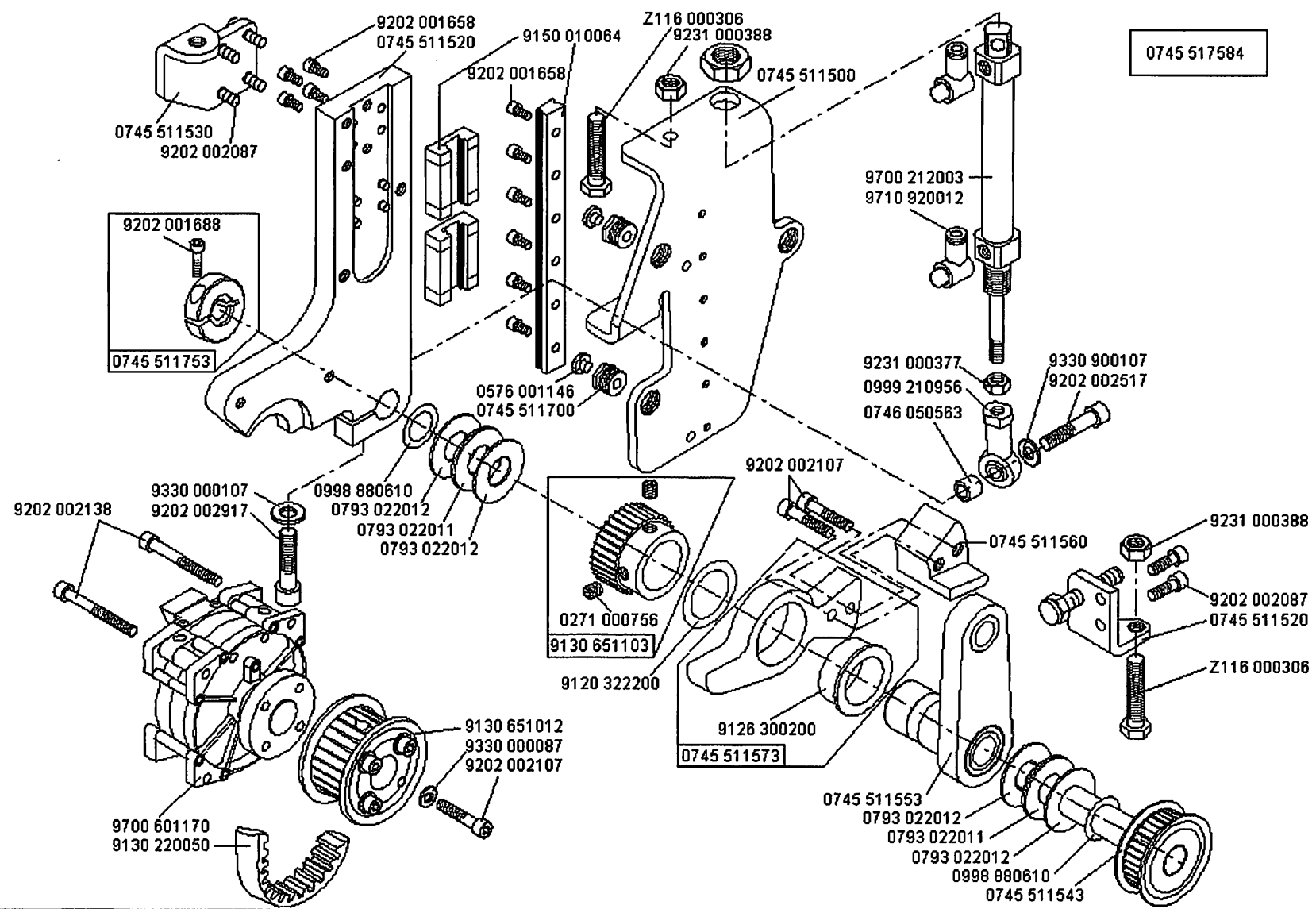
Scale 50 %

CI. 745-34

Ausgabe/Edition 06.2003

From the library of: Superior Sewing Machine & Supply LLC

From the library of: Superior Sewing Machine & Supply LLC

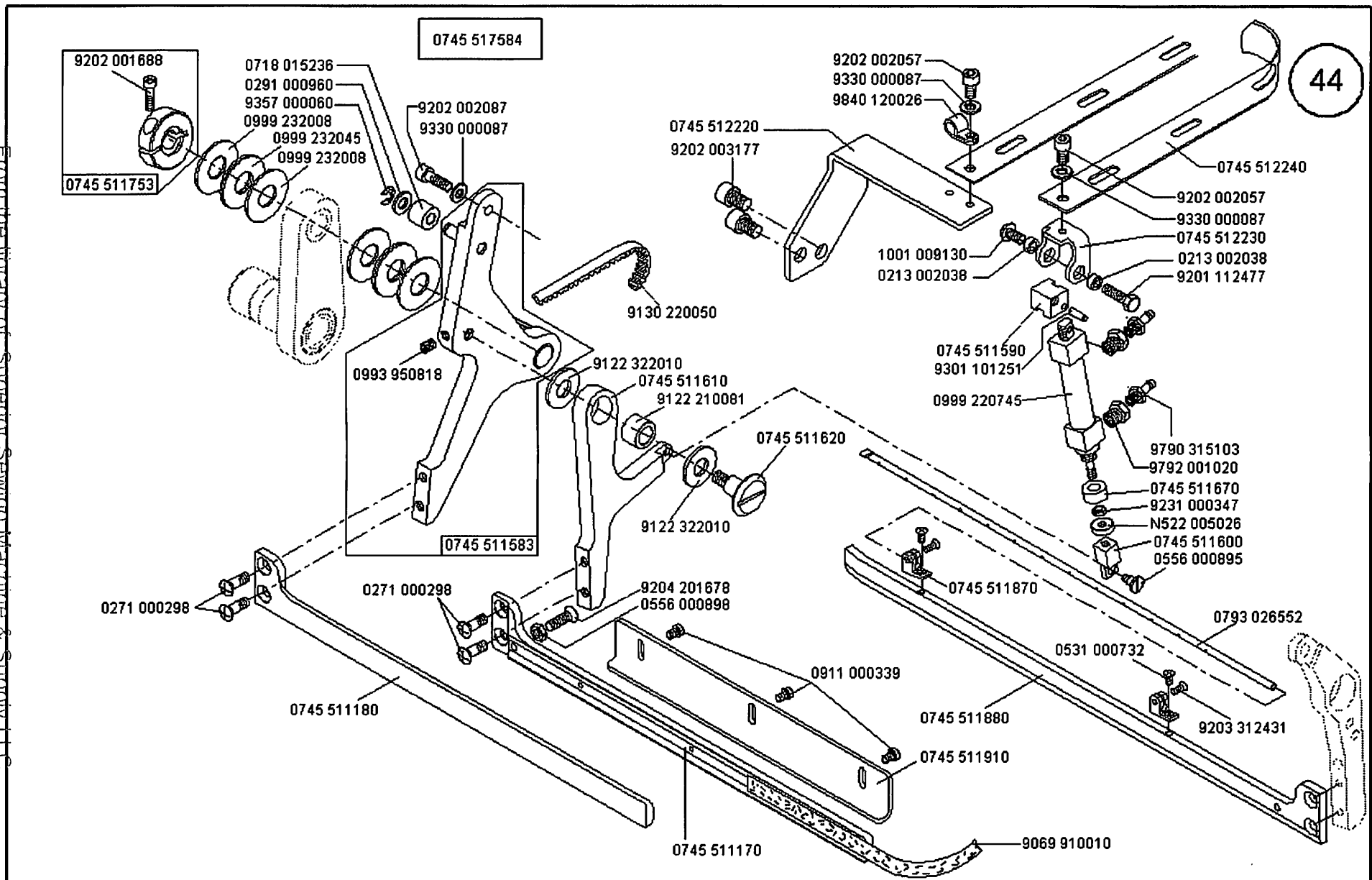


0745 517584

Scale 50 %

Cl. 745-34

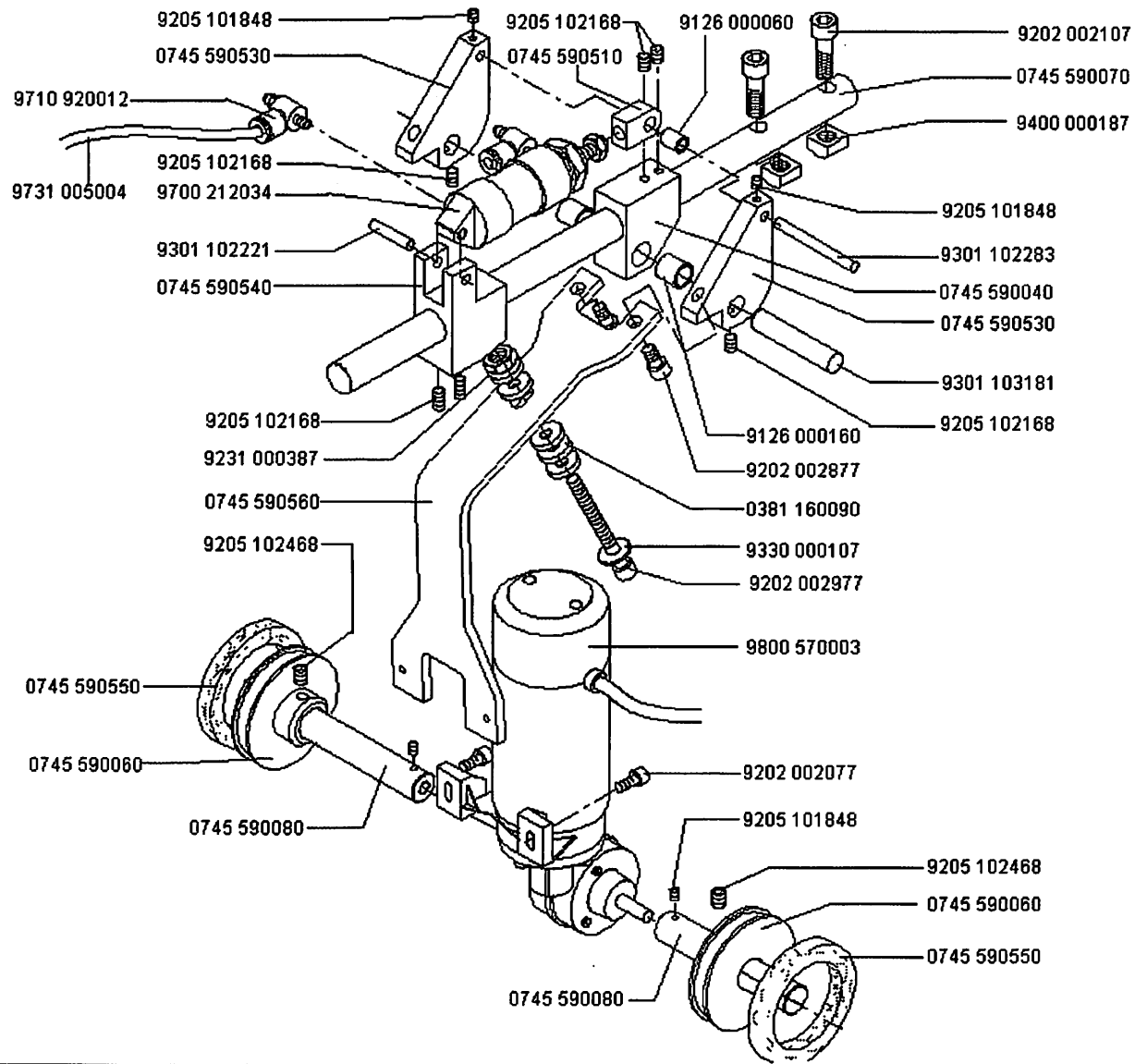
Ausgabe/Edition 10.2002



Scale 50 %

Cl. 745-34

Ausgabe/Edition 10. 2003

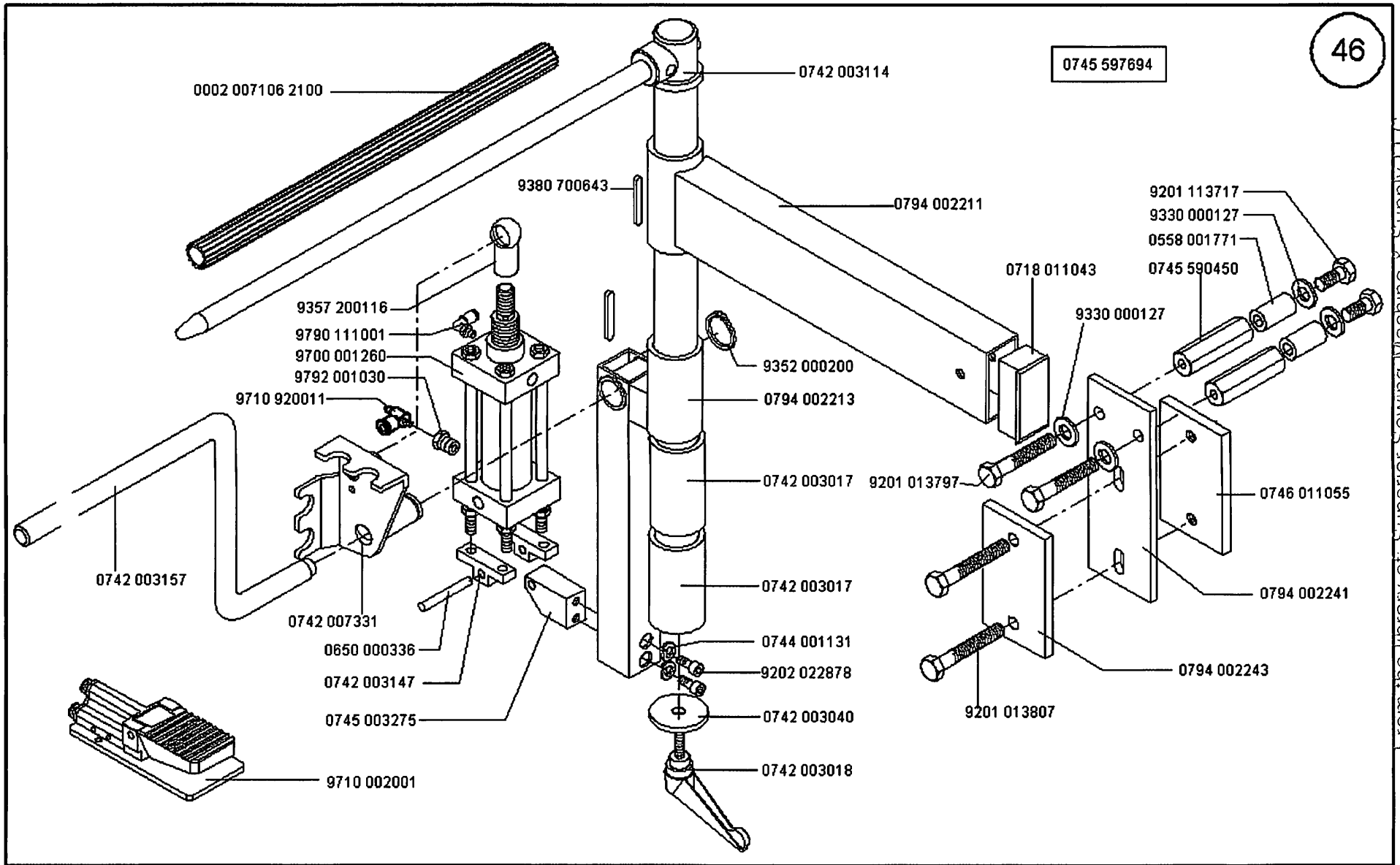


0745 597594

Scale 30 %

Cl. 745-34

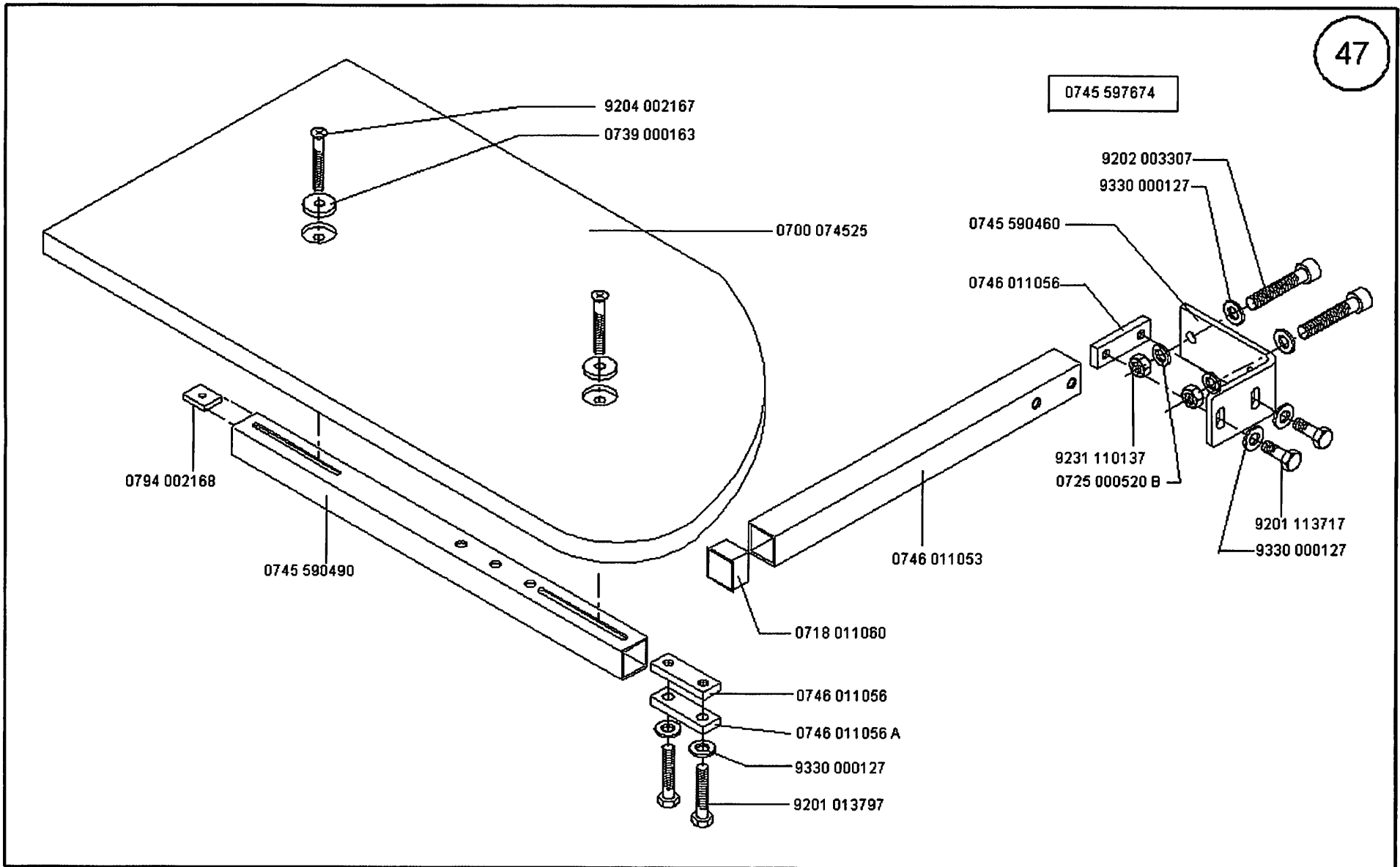
Ausgabe/Edition 04.2002



Scale 30 %

Cl. 745-34

Ausgabe/Edition 04. 2002



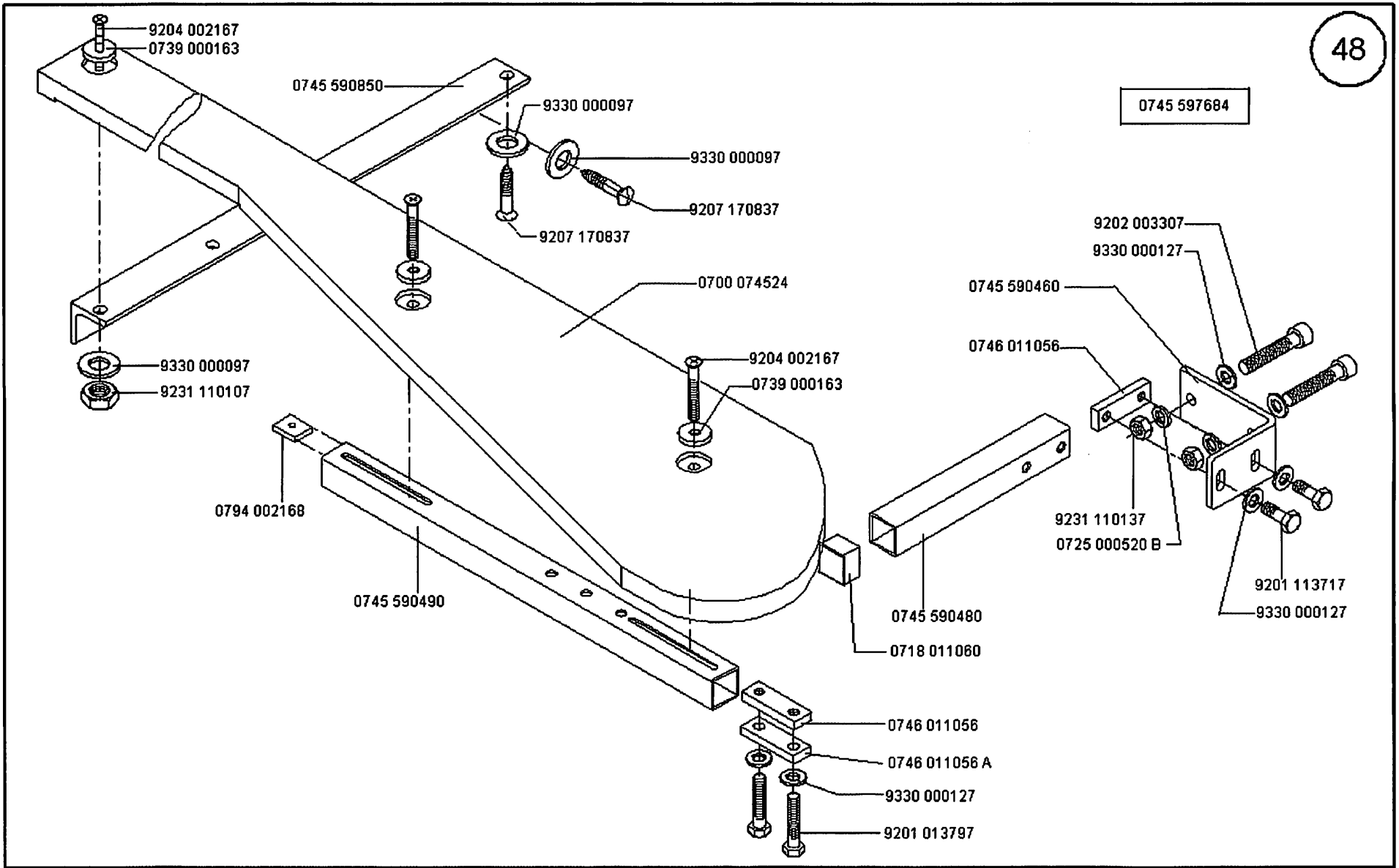
Scale 50 %

CI. 745-34

Ausgabe/Edition 04.2002

From the library of: Superior Sewing Machine & Supply LLC

From the library of: Superior Sewing Machine & Supply LLC



Scale 50 %

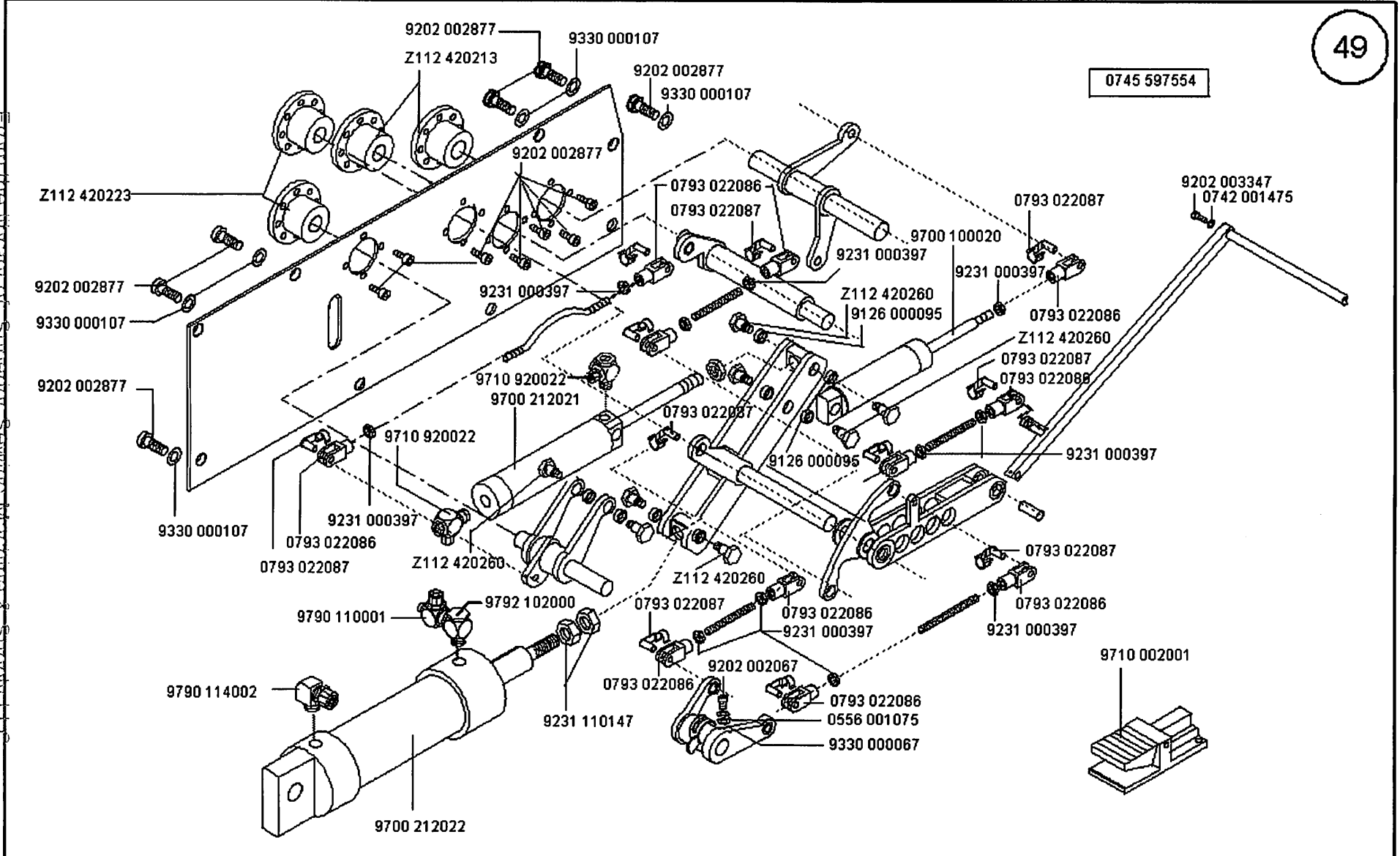
CI. 745-34

Ausgabe/Edition 04.2002

From the library of: Superior Sewing Machine & Supply LLC

From the library of: Superior Sewing Machine & Supply LLC

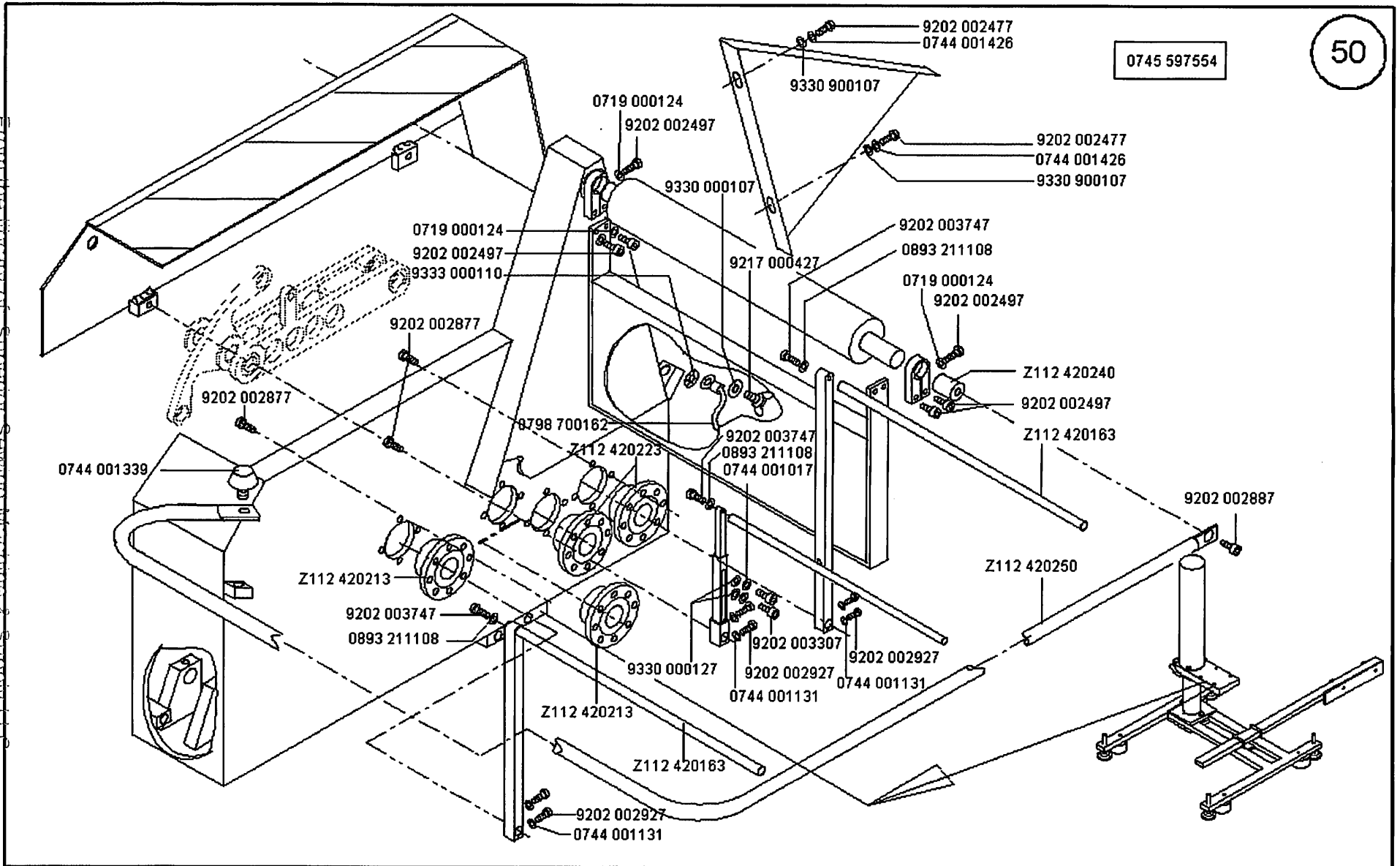
0745 597554



Scale 50 %

Cl. 745-34

Ausgabe/Edition 04.2002

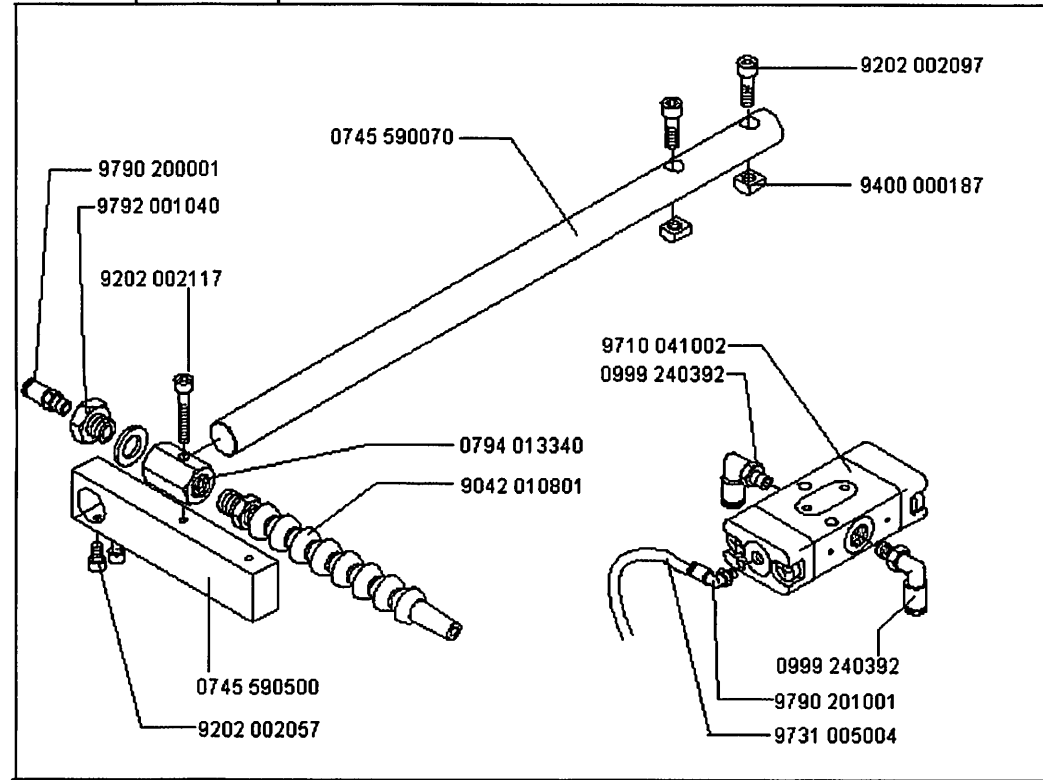


Scale 50 %

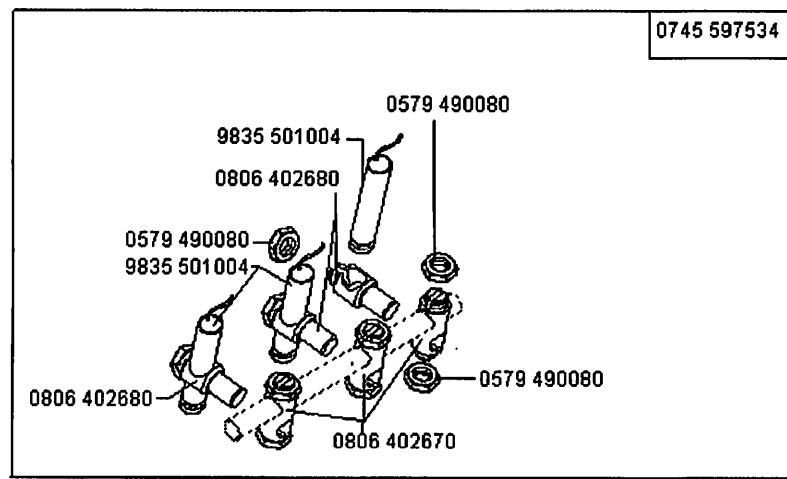
Cl. 745-34

Ausgabe/Edition 02.2004

0745 597604



0745 597534



Scale 35 %

Cl. 745-34

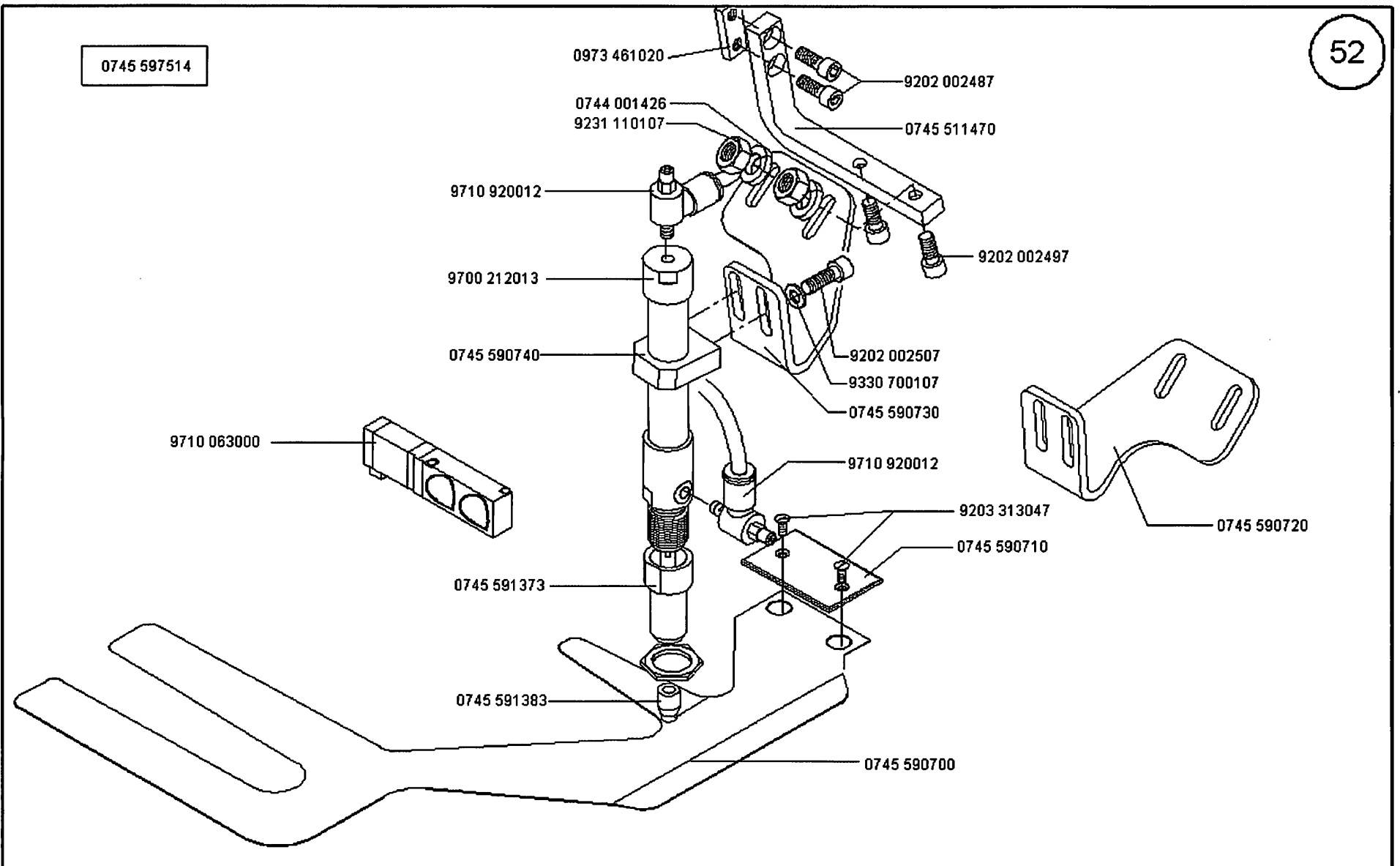
Ausgabe/Edition 08.2002

From the library of: Superior Sewing Machine & Supply LLC

From the library of: Superior Sewing Machine & Supply LLC

0745 597514

52



Scale 50 %

Cl. 745-34

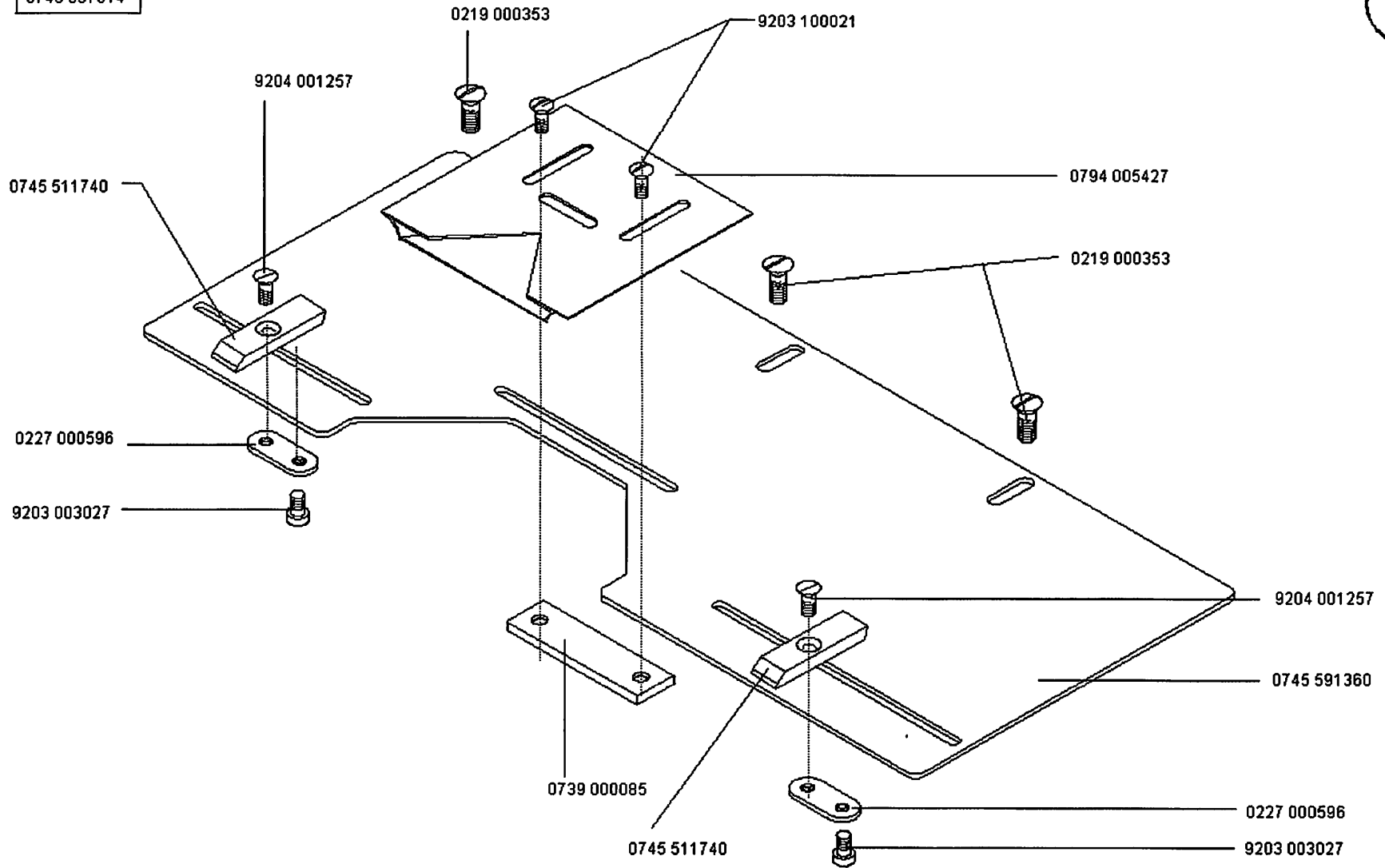
Ausgabe/Edition 02.2004

From the library of: Superior Sewing Machine & Supply LLC

From the library of: Superior Sewing Machine & Supply LLC

0745 597614

53



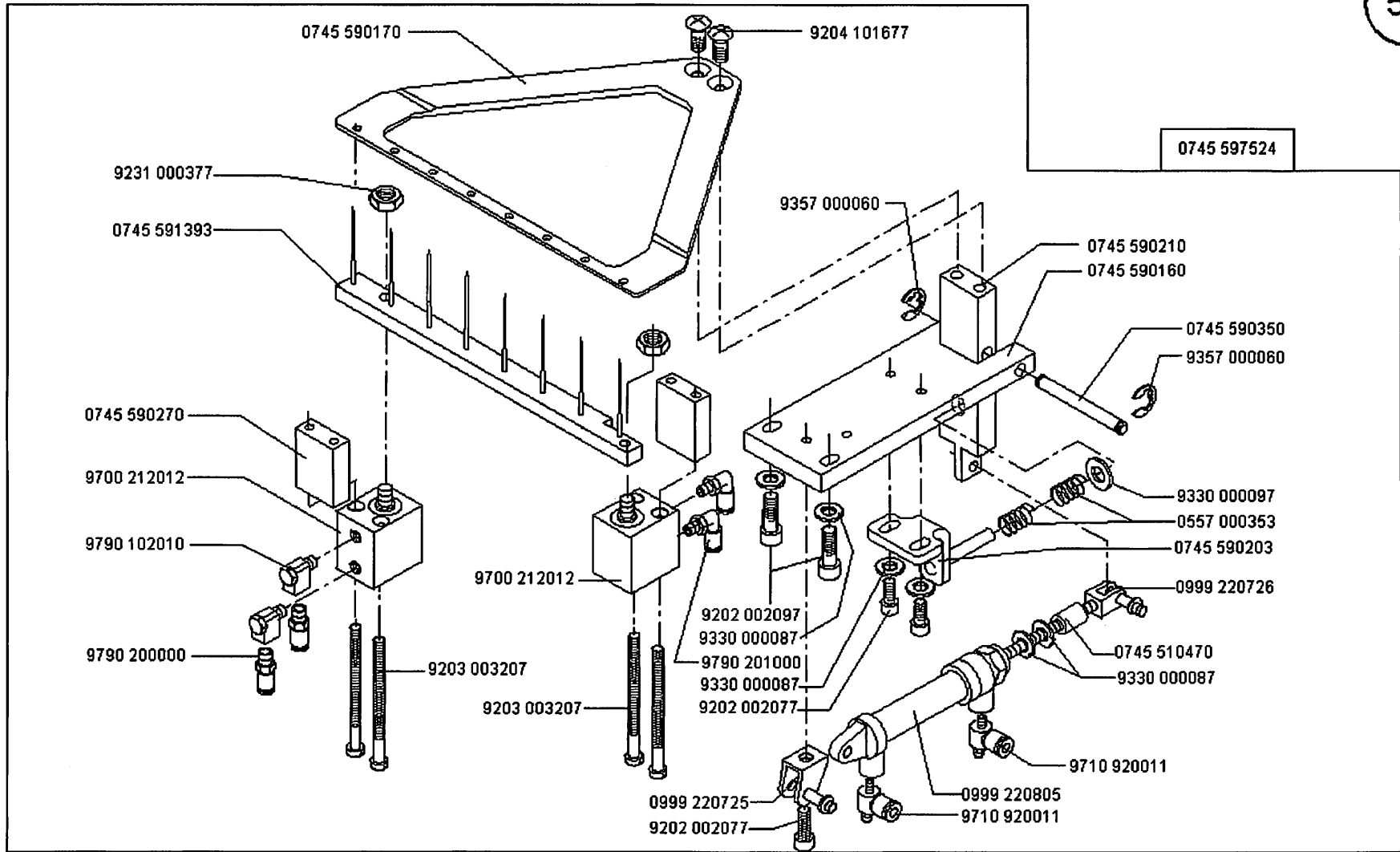
Scale 50 %

CI. 745-34

Ausgabe/Edition 04.2002

From the library of: Superior Sewing Machine & Supply LLC

From the library of: Superior Sewing Machine & Supply LLC

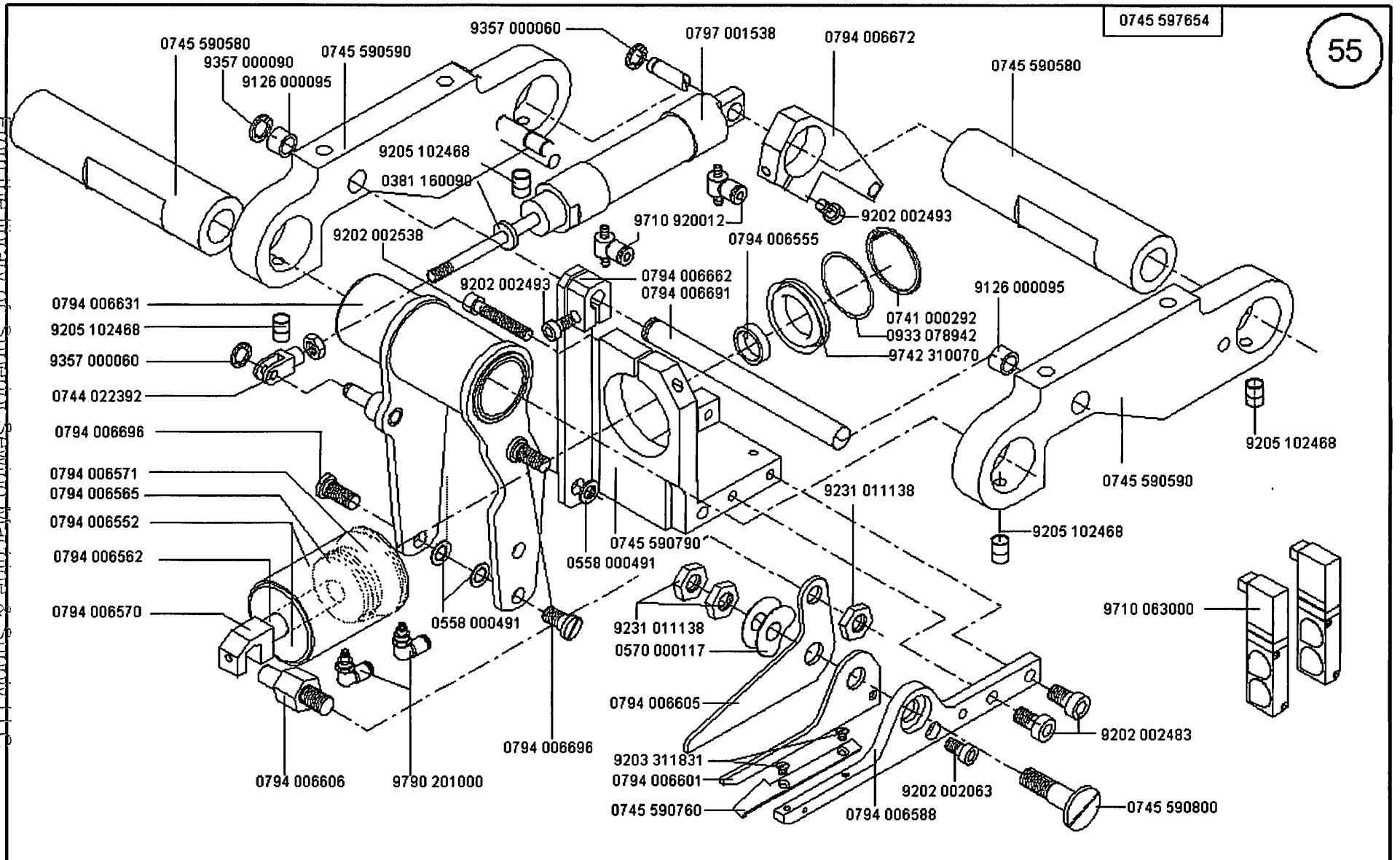


Scale 50 %

Cl. 745-34

Ausgabe/Edition 02. 2004

From the library of: Superior Sewing Machine & Supply LLC

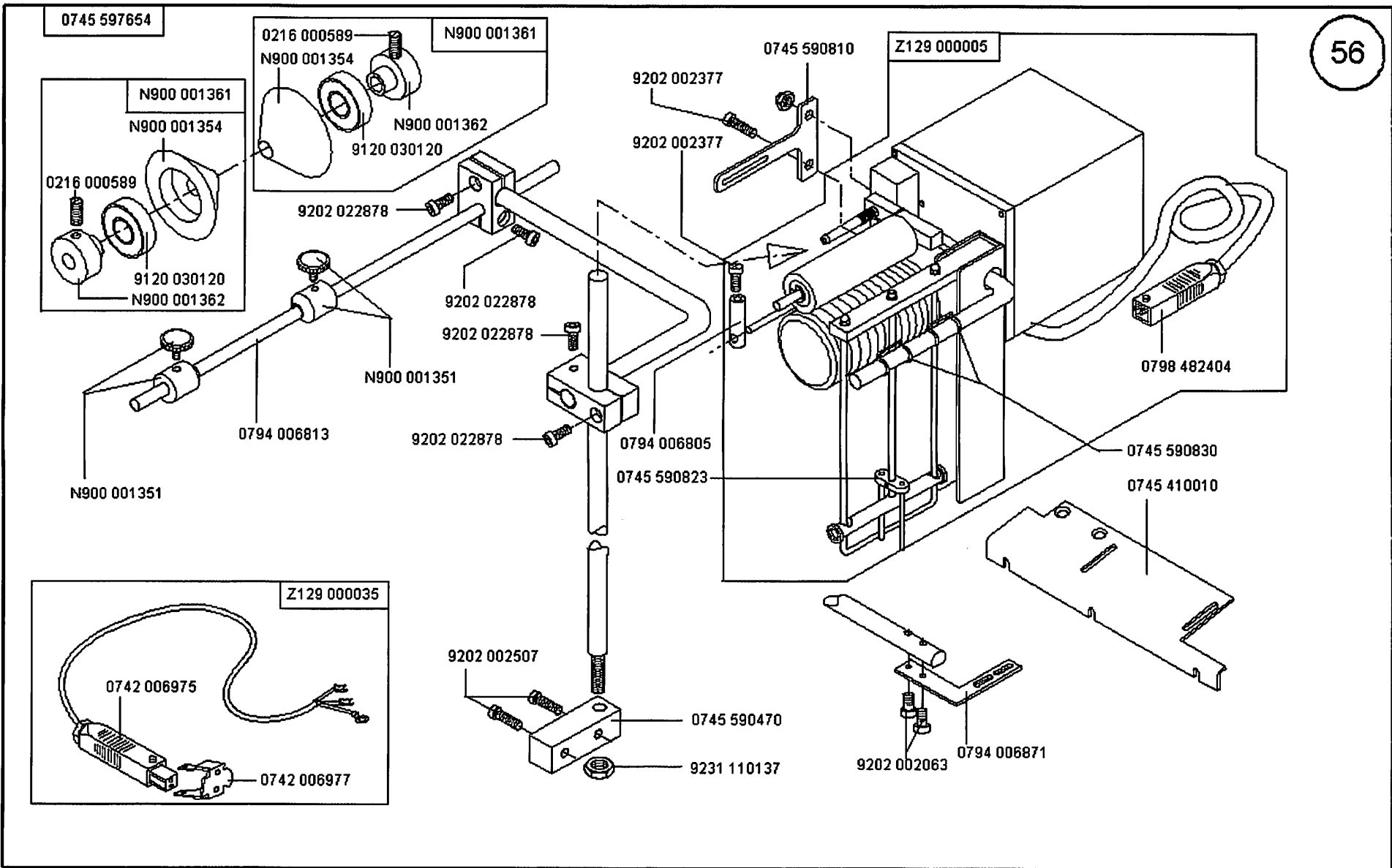


0745 597654

Scale 50 %

Cl. 745-34

Ausgabe/Edition 04.2002

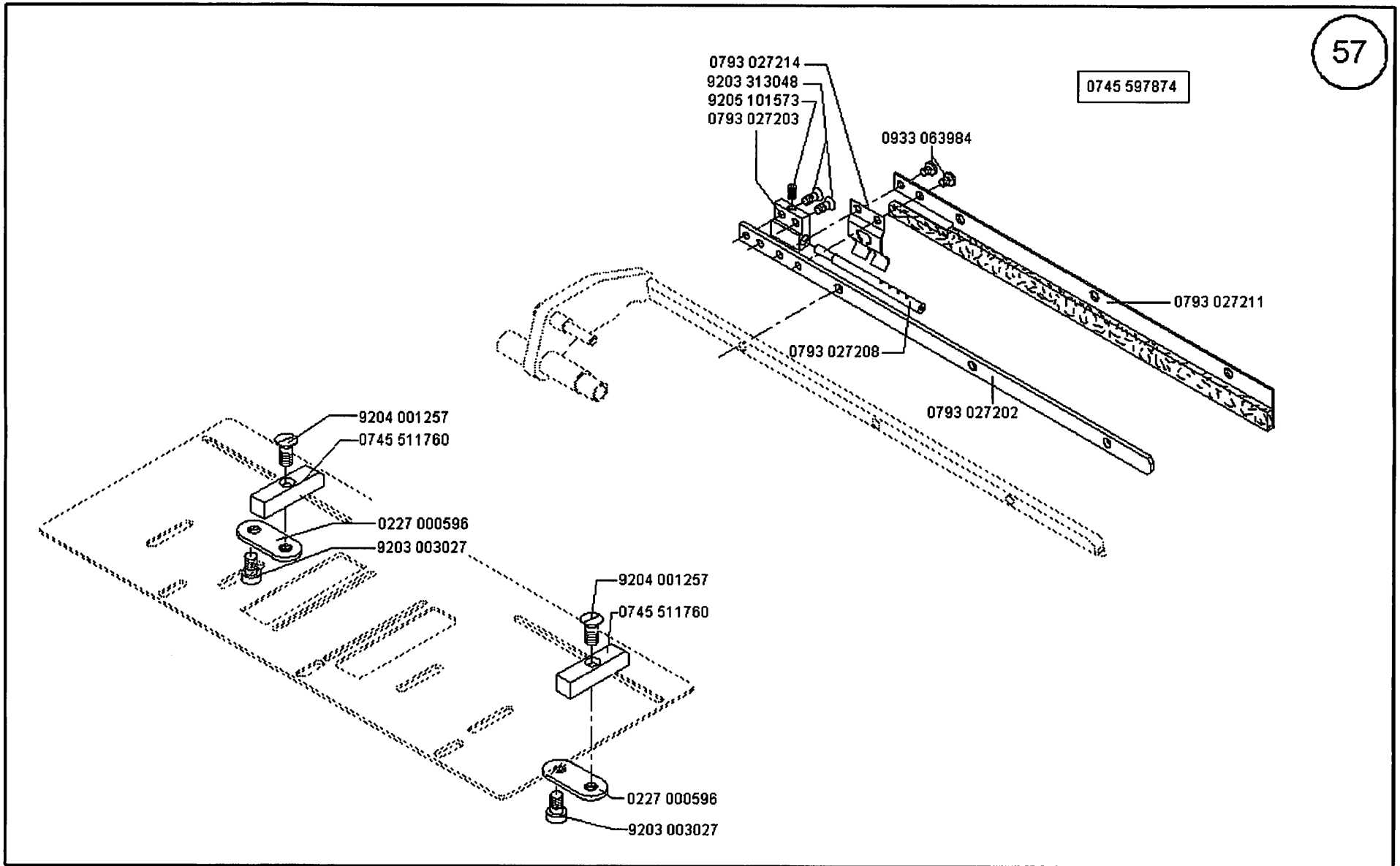


Scale 50 %

Cl. 745-34

Ausgabe/Edition 02.2004

From the library of: Superior Sewing Machine & Supply LLC



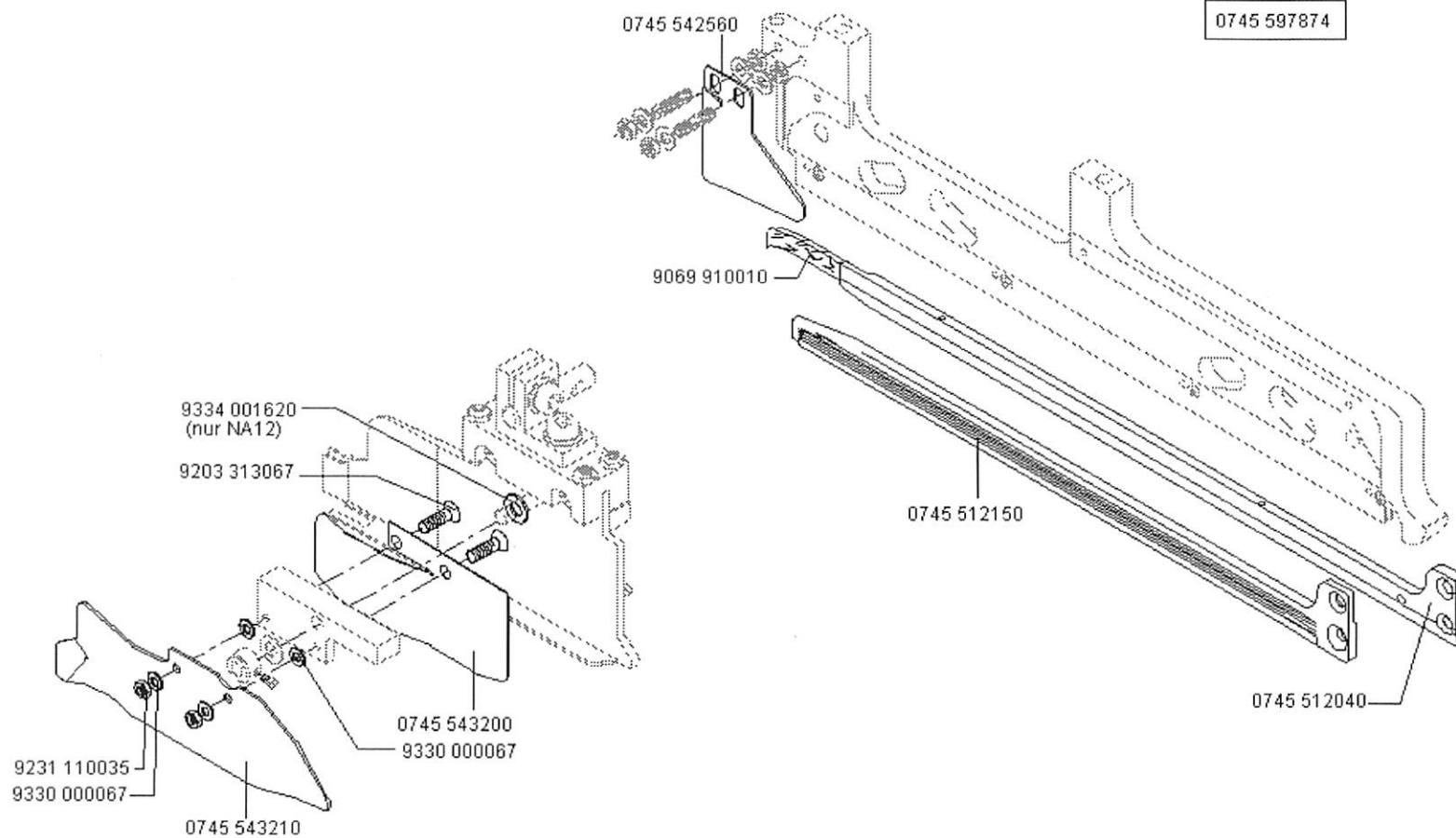
Scale 50 %

Cl. 745-34

Ausgabe/Edition 06.2003

From the library of: Superior Sewing Machine & Supply LLC

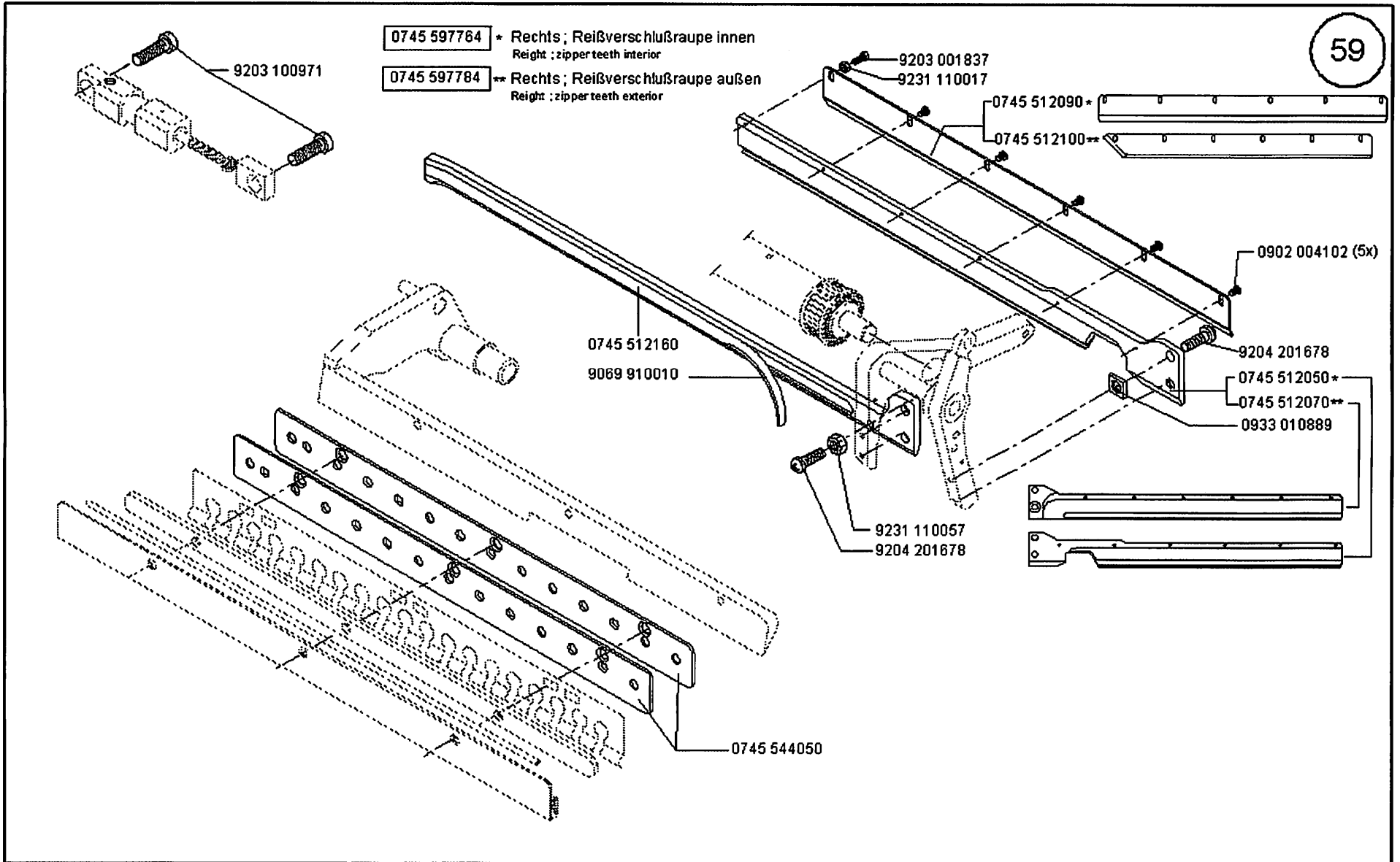
From the library of: Superior Sewing Machine & Supply LLC



Scale 50 %

Cl. 745-34

Ausgabe/Edition 06.2003



Scale 50 %

Cl. 745-34

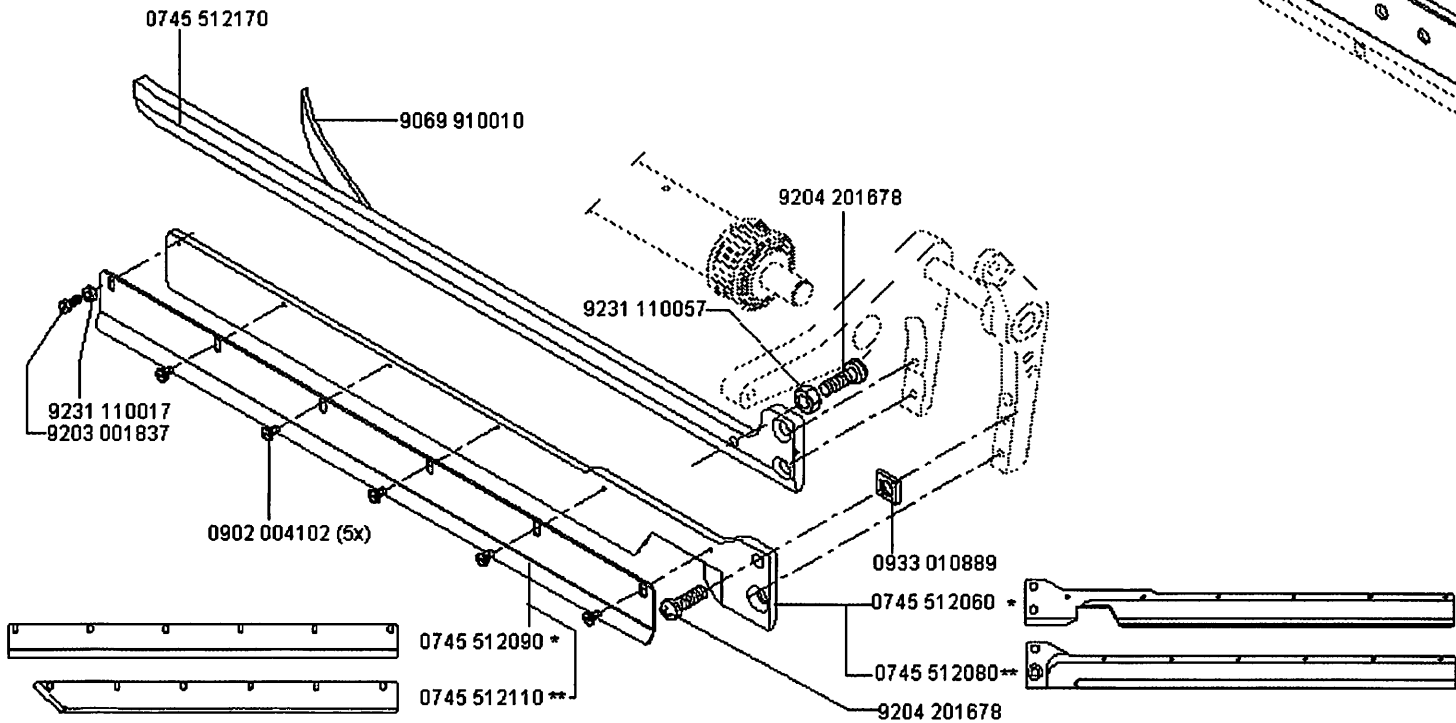
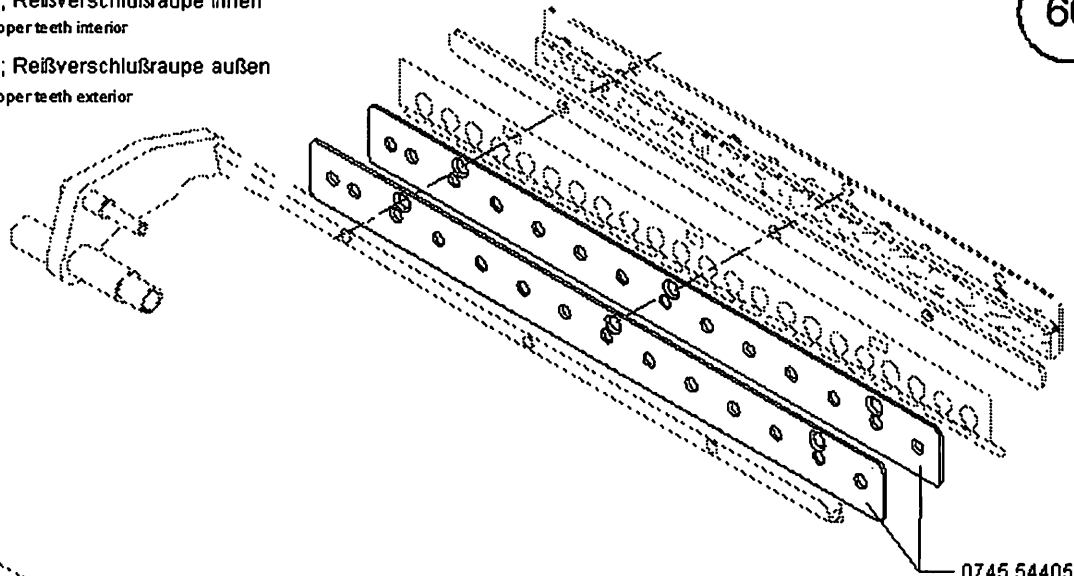
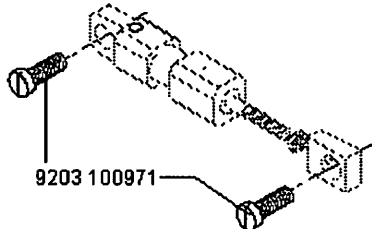
Ausgabe/Edition 02.2004

From the library of: Superior Sewing Machine & Supply LLC

From the library of: Superior Sewing Machine & Supply LLC

0745 597774 * Links ; Reißverschlußraupe innen
Left : zipper teeth interior

0745 597794 ** Links ; Reißverschlußraupe außen
Left : zipper teeth exterior



Scale 50 %

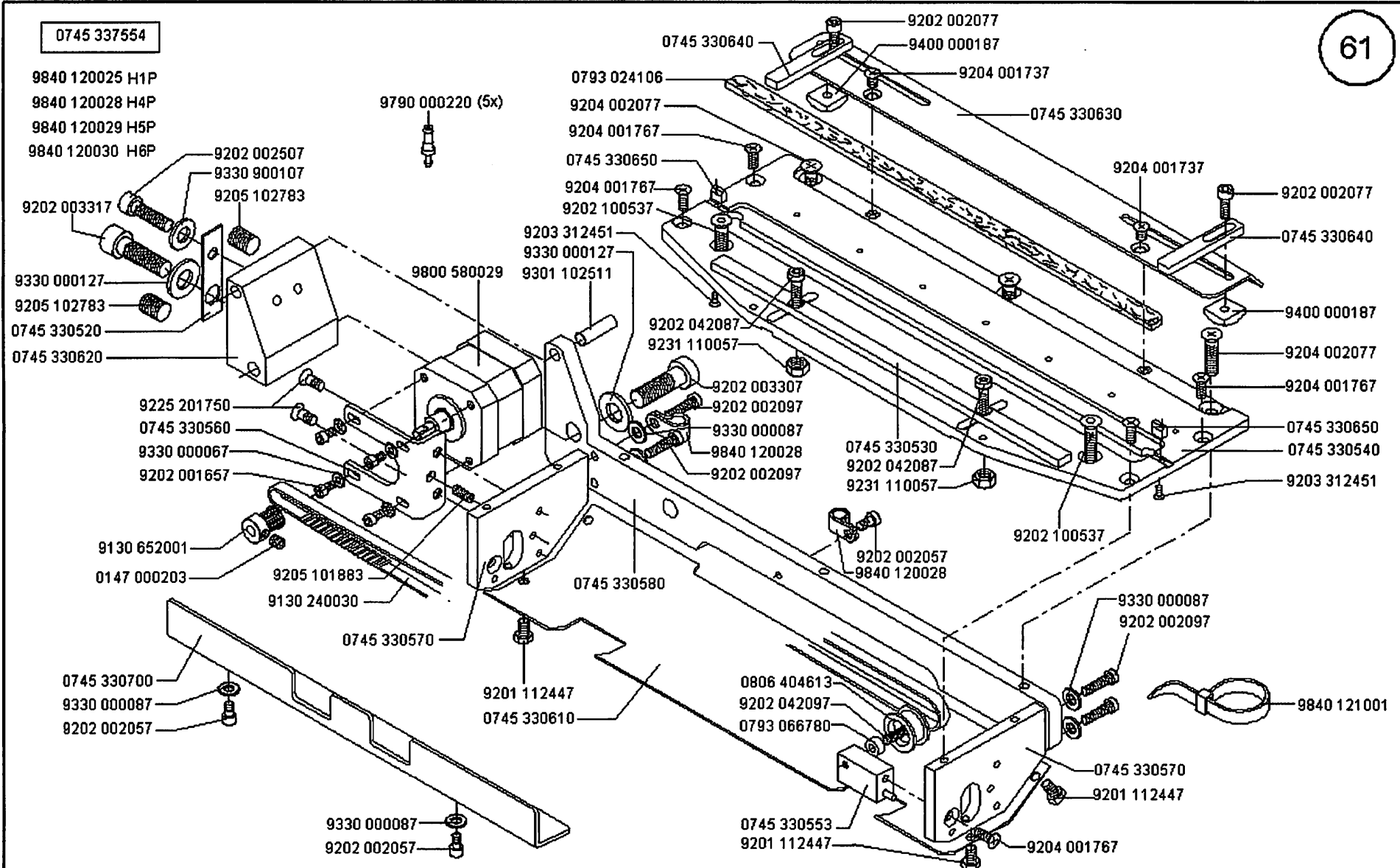
CI. 745-34

Ausgabe/Edition 02.2004

From the library of: Superior Sewing Machine & Supply LLC

From the library of: Superior Sewing Machine & Supply LLC

0745 337554



Scale 50/90 %

CI.745-34

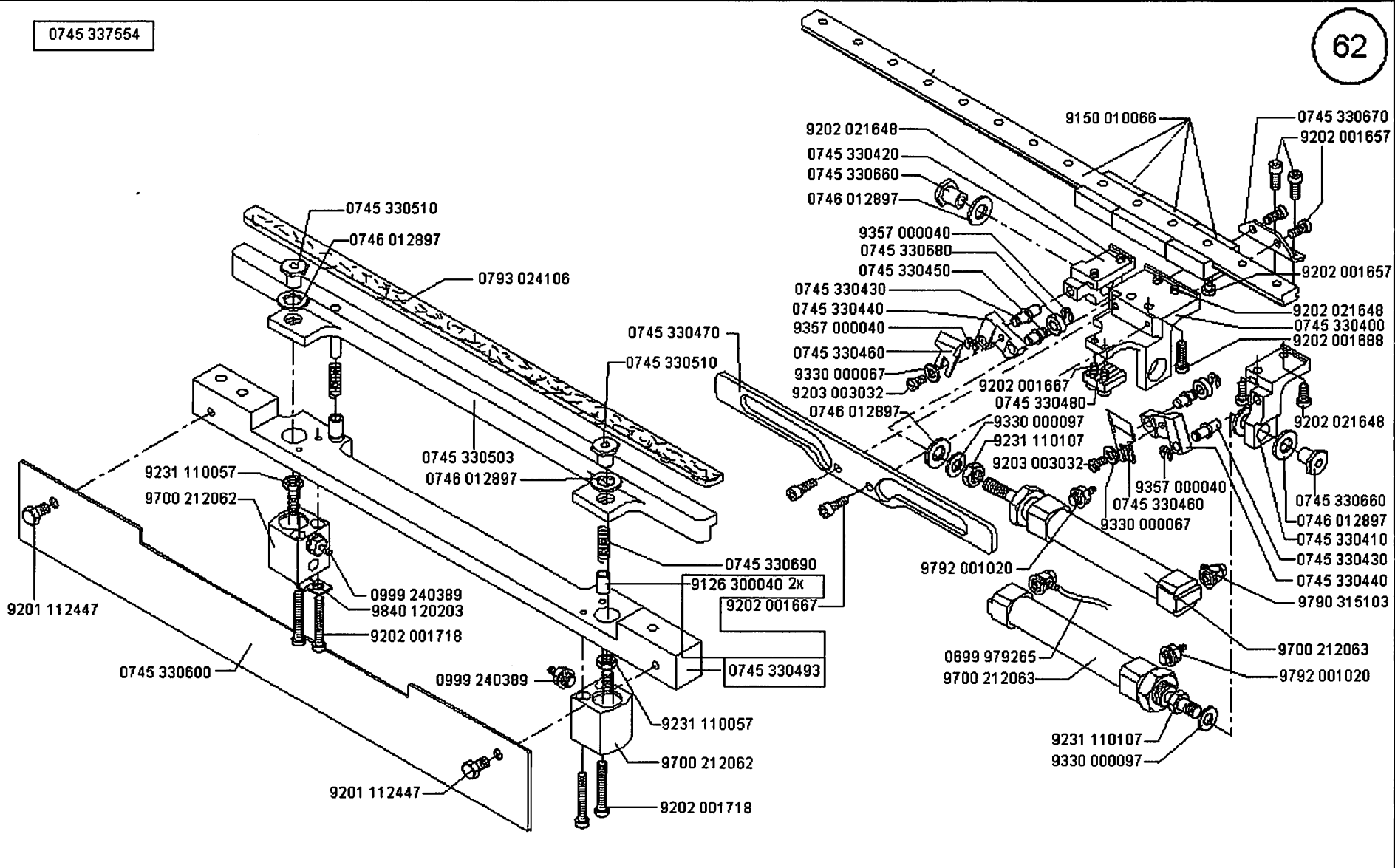
Ausgabe/Edition 02.2004

From the library of: Superior Sewing Machine & Supply LLC

From the library of: Superior Sewing Machine & Supply LLC

0745 337554

62

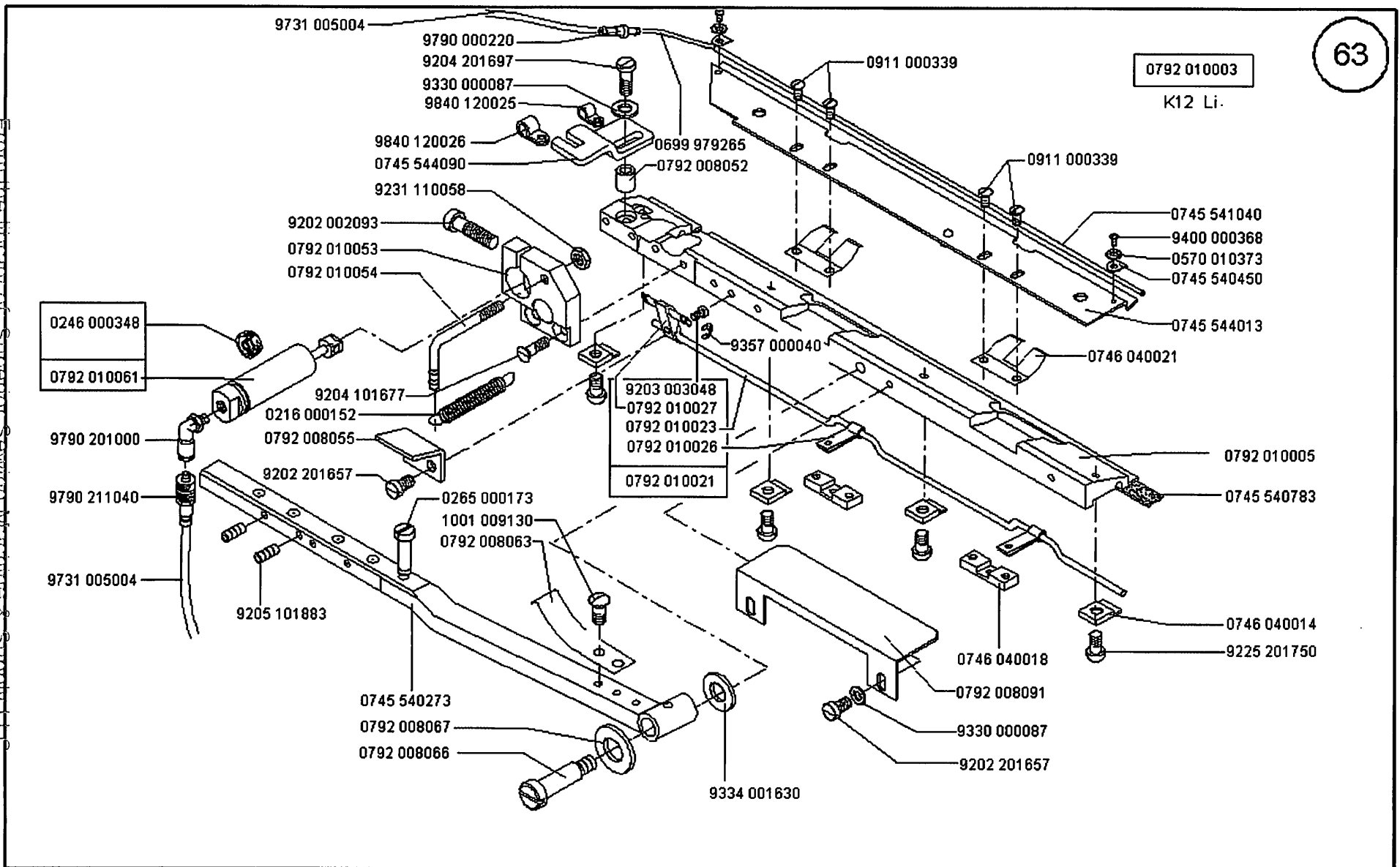


Scale 50 %

Cl. 745-34

Ausgabe/Edition 02. 2004

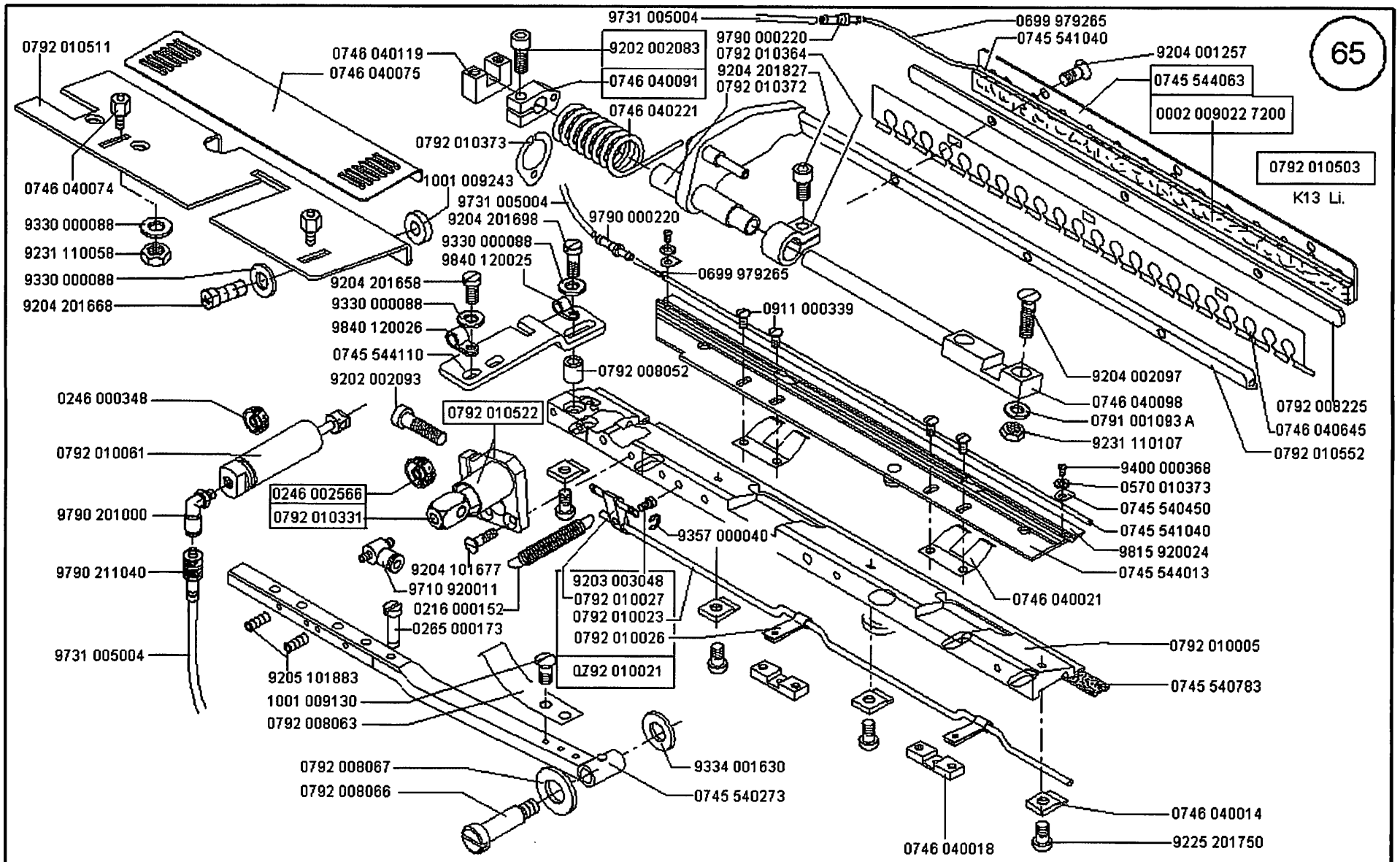
From the library of: Superior Sewing Machine & Supply LLC



Scale 50 %

Cl. 745-34

Ausgabe/Edition 02.2004



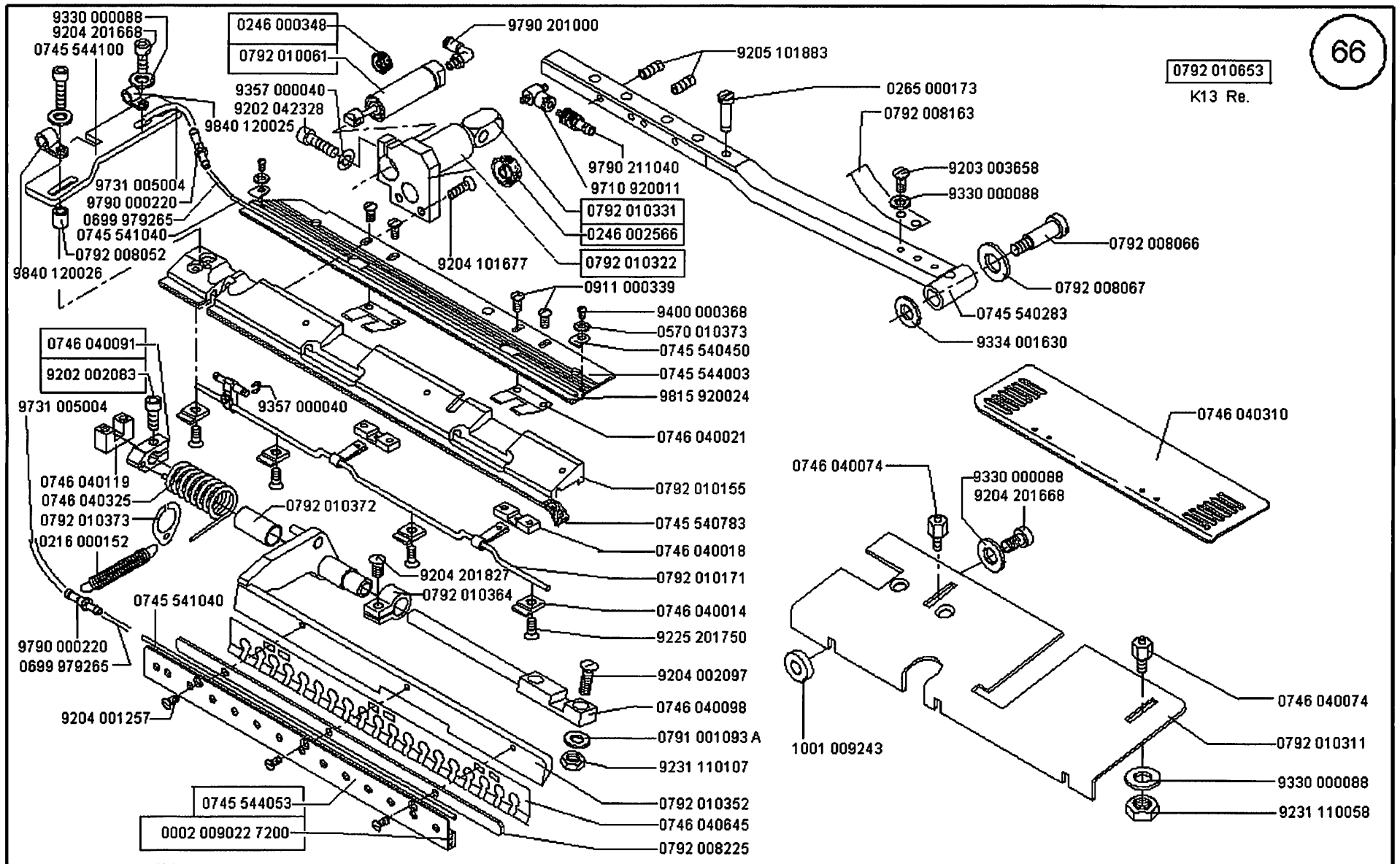
Scale 50 %

CI. 745-34

Ausgabe/Edition 02.2004

From the library of: Superior Sewing Machine & Supply LLC

From the library of: Superior Sewing Machine & Supply LLC



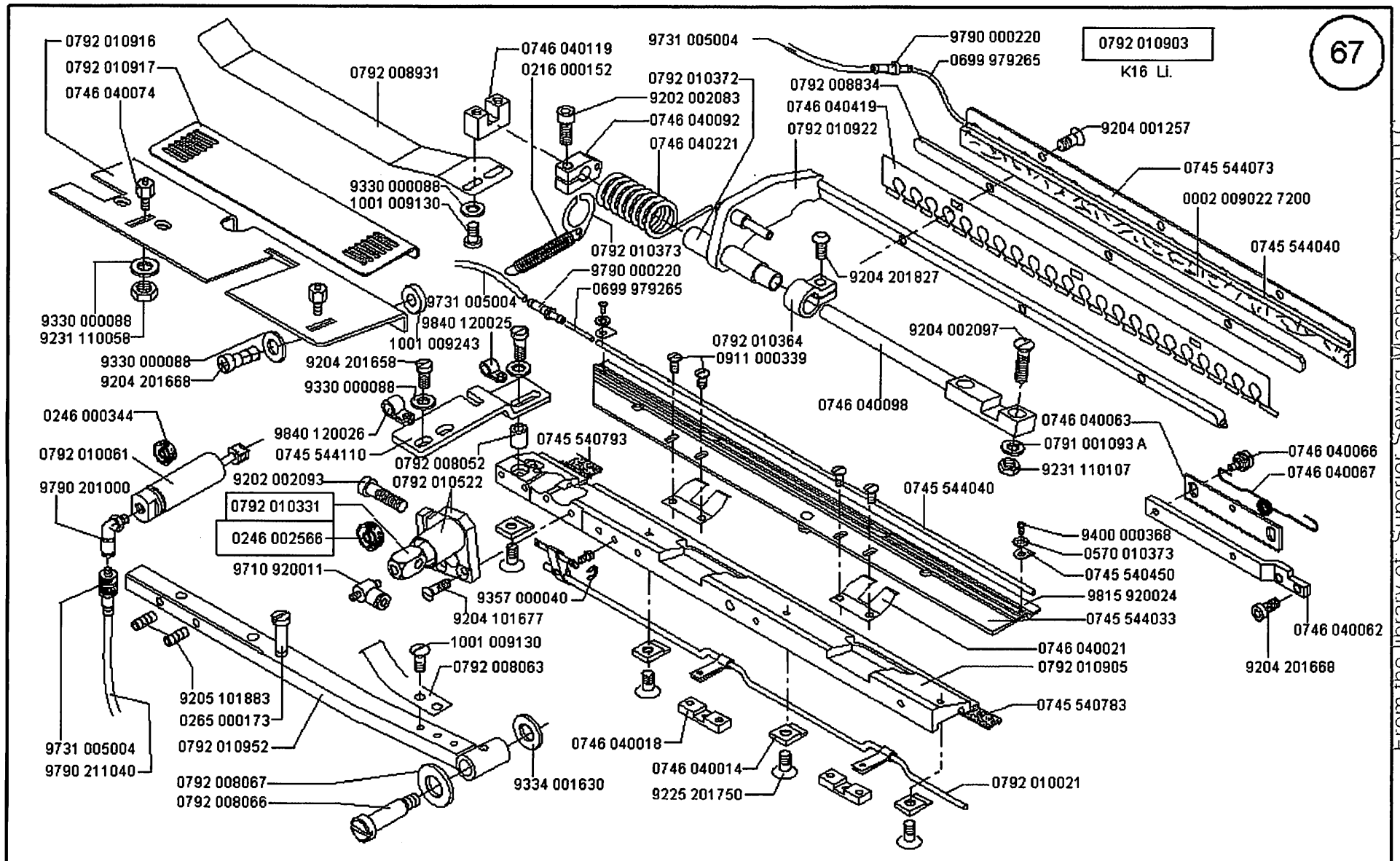
Scale 50,90 %

CI. 745-34

Ausgabe/Edition 02.2004

From the library of: Superior Sewing Machine & Supply LLC

From the library of: Superior Sewing Machine & Supply LLC

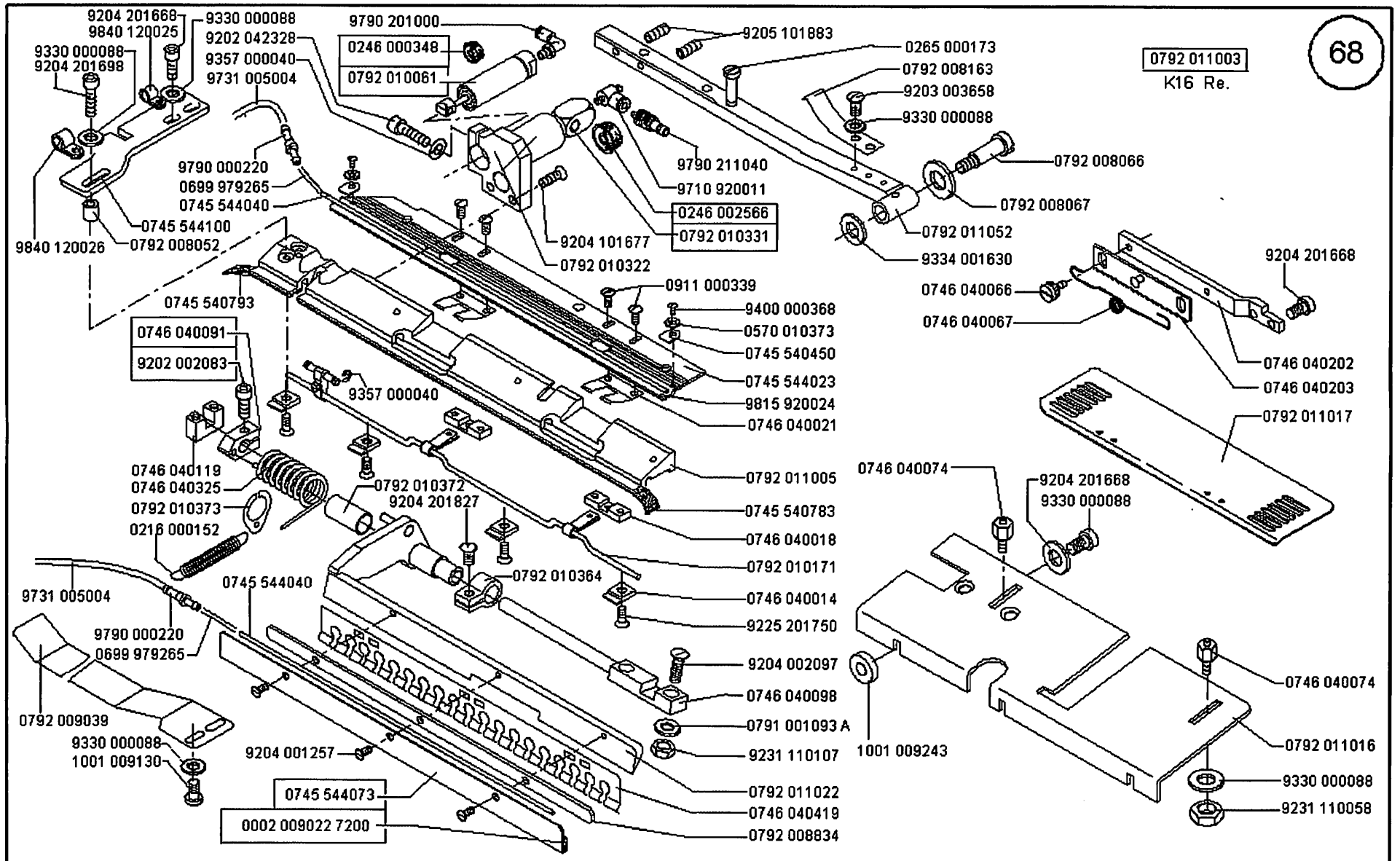


Scale 50 %

Cl. 745-34

Ausgabe/Edition 02. 2004

From the library of: Superior Sewing Machine & Supply LLC



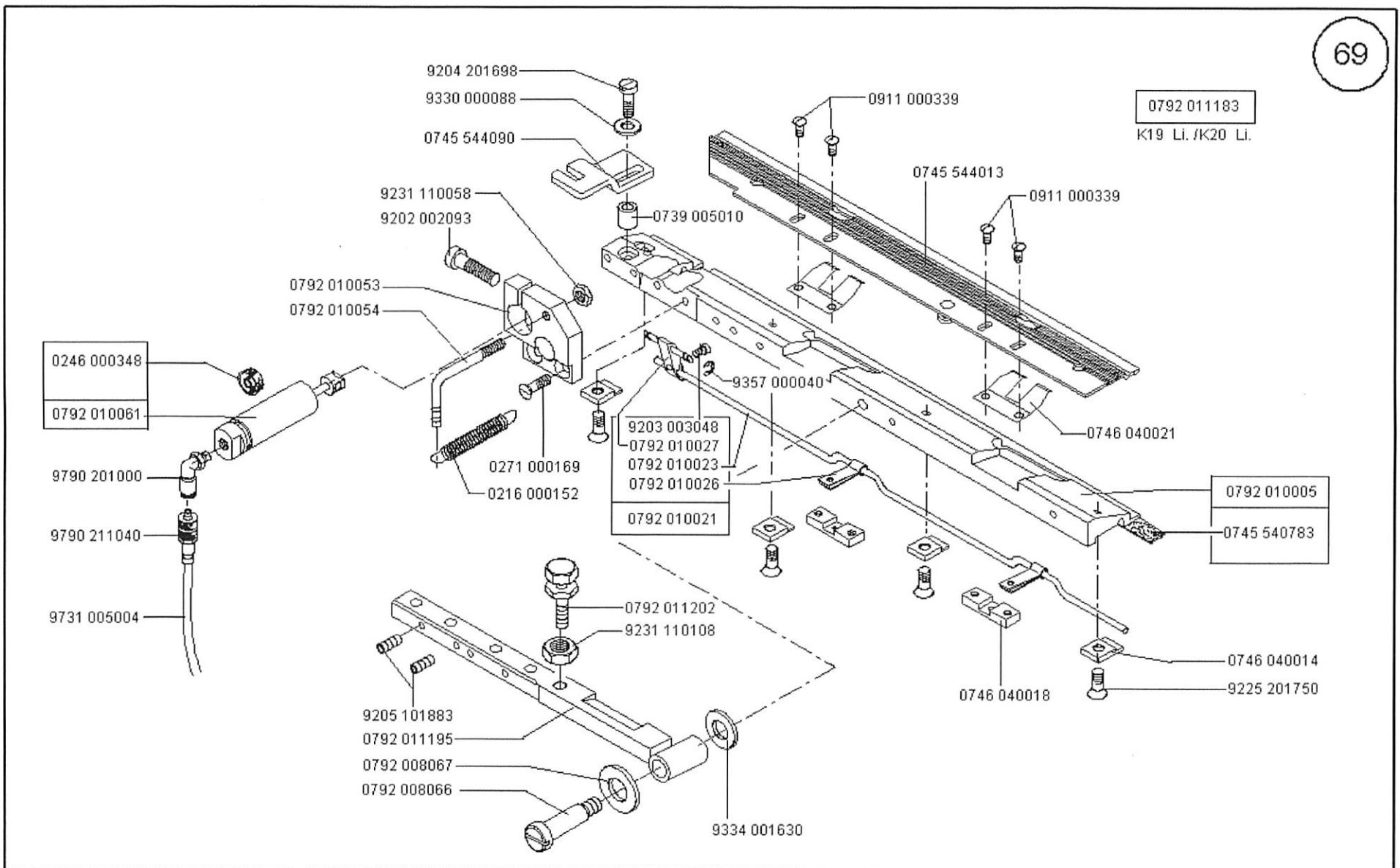
Scale 50 %

Cl. 745-34

Ausgabe/Edition 02.2004

From the library of: Superior Sewing Machine & Supply LLC

From the library of: Superior Sewing Machine & Supply LLC



Scale 50 %

Cl. 745-34

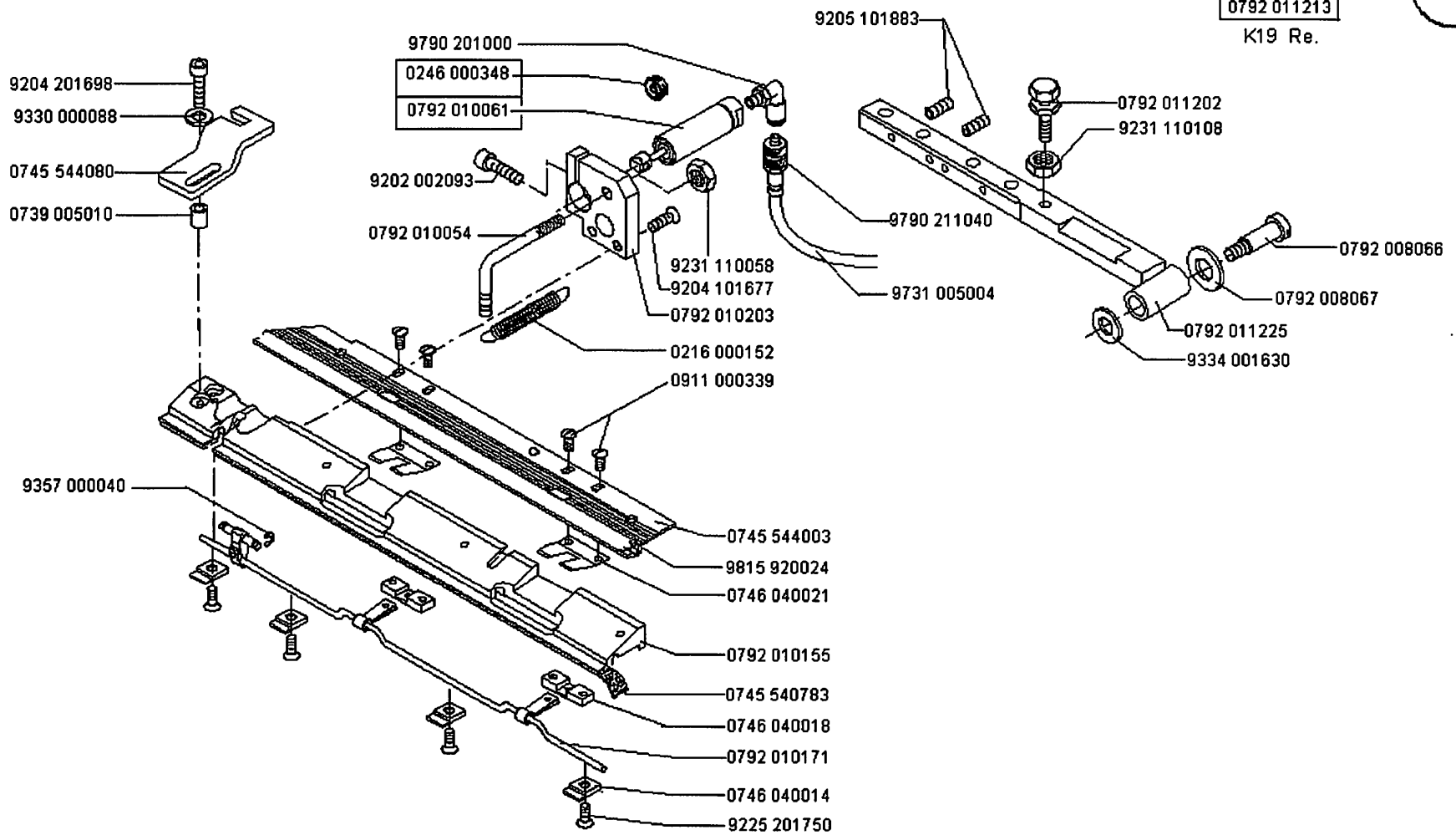
Ausgabe/Edition 02.2004

From the library of: Superior Sewing Machine & Supply LLC

From the library of: Superior Sewing Machine & Supply LLC

From the library of: Superior Sewing Machine & Supply LLC

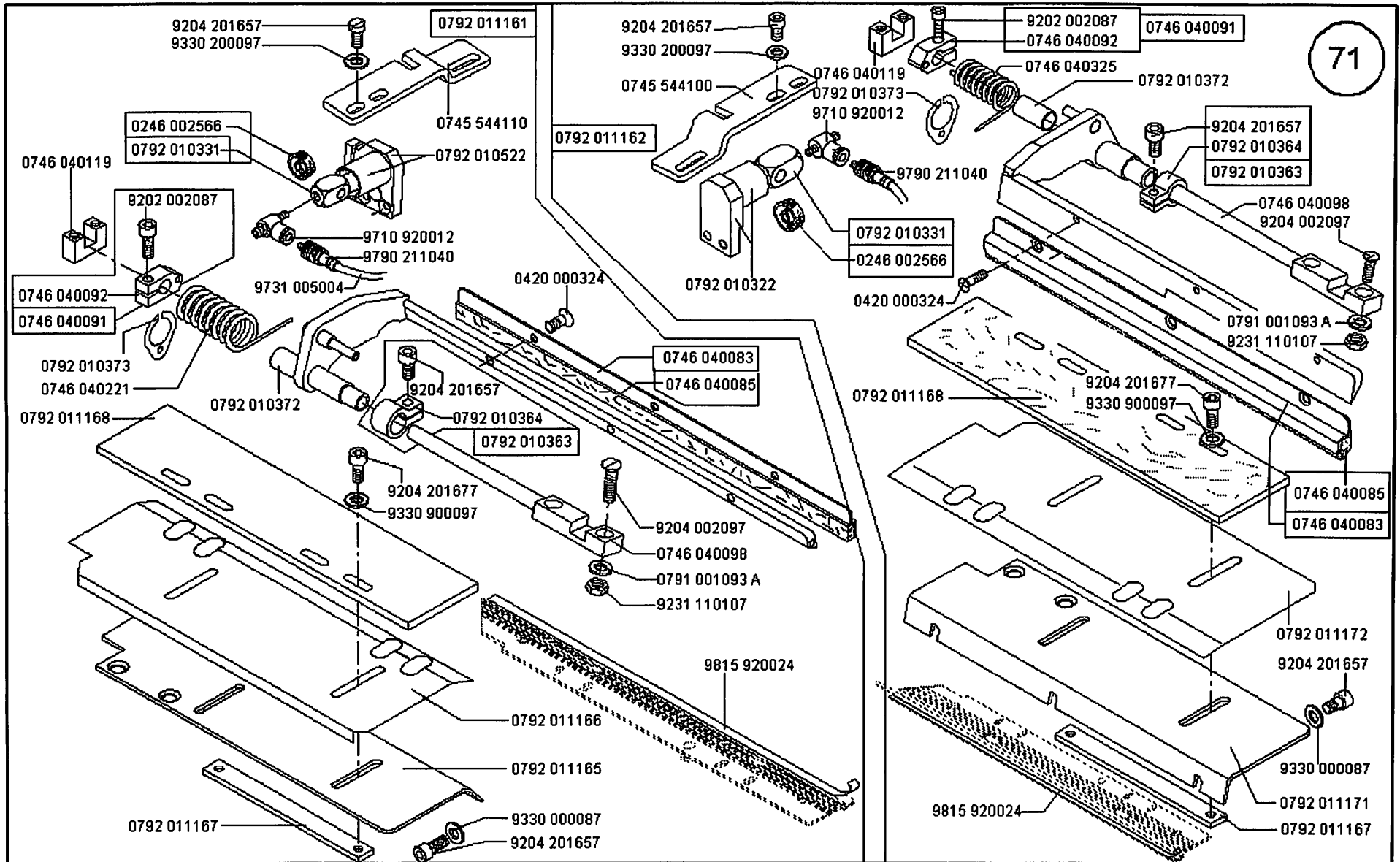
0792 011213
K19 Re.



Scale 50 %

Cl. 745-34

Ausgabe/Edition 02.2004



71

Scale 40 %

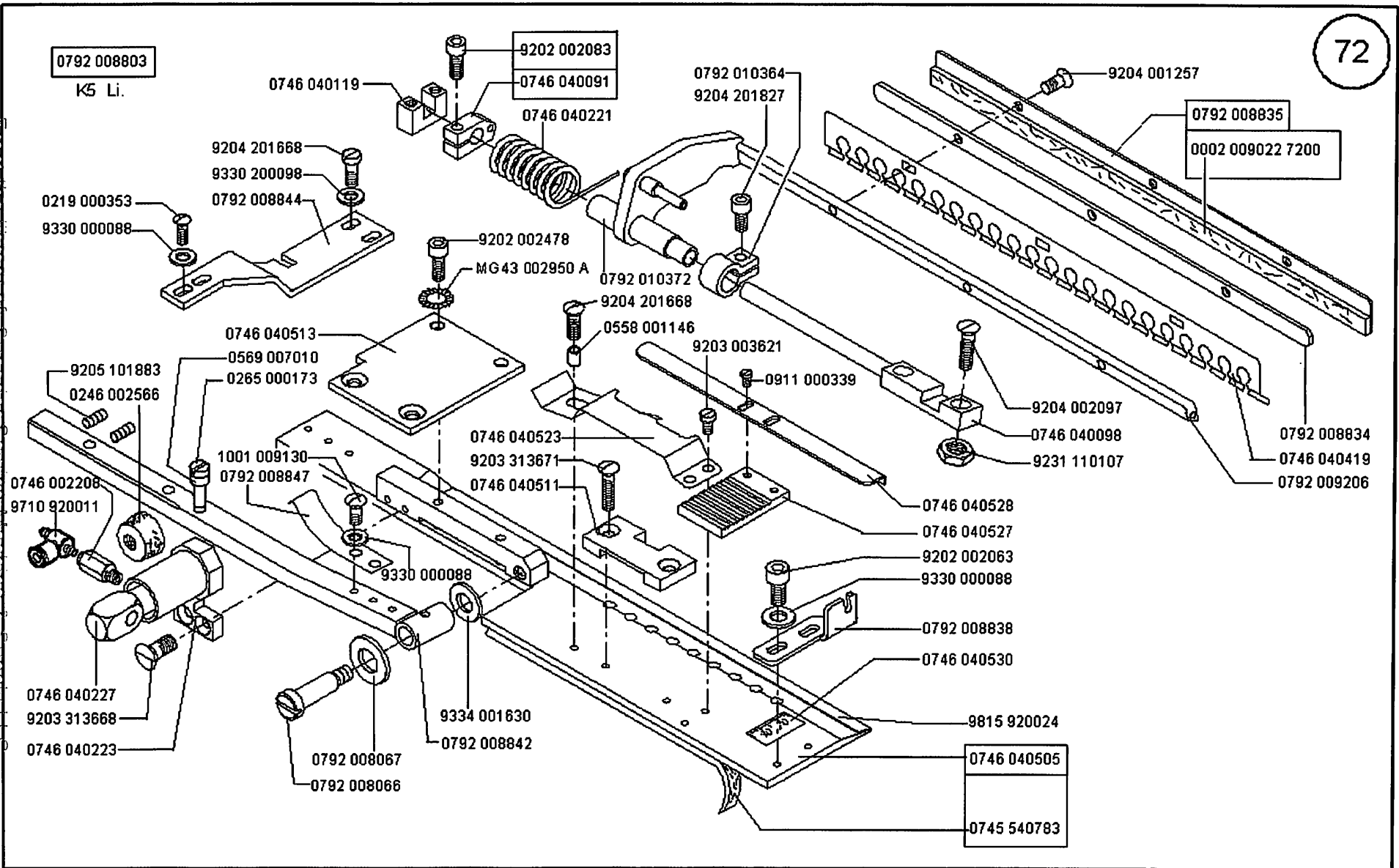
Cl. 745-34

Ausgabe/Edition 02.2004

From the library of: Superior Sewing Machine & Supply LLC

From the library of: Superior Sewing Machine & Supply LLC

From the library of: Superior Sewing Machine & Supply LLC



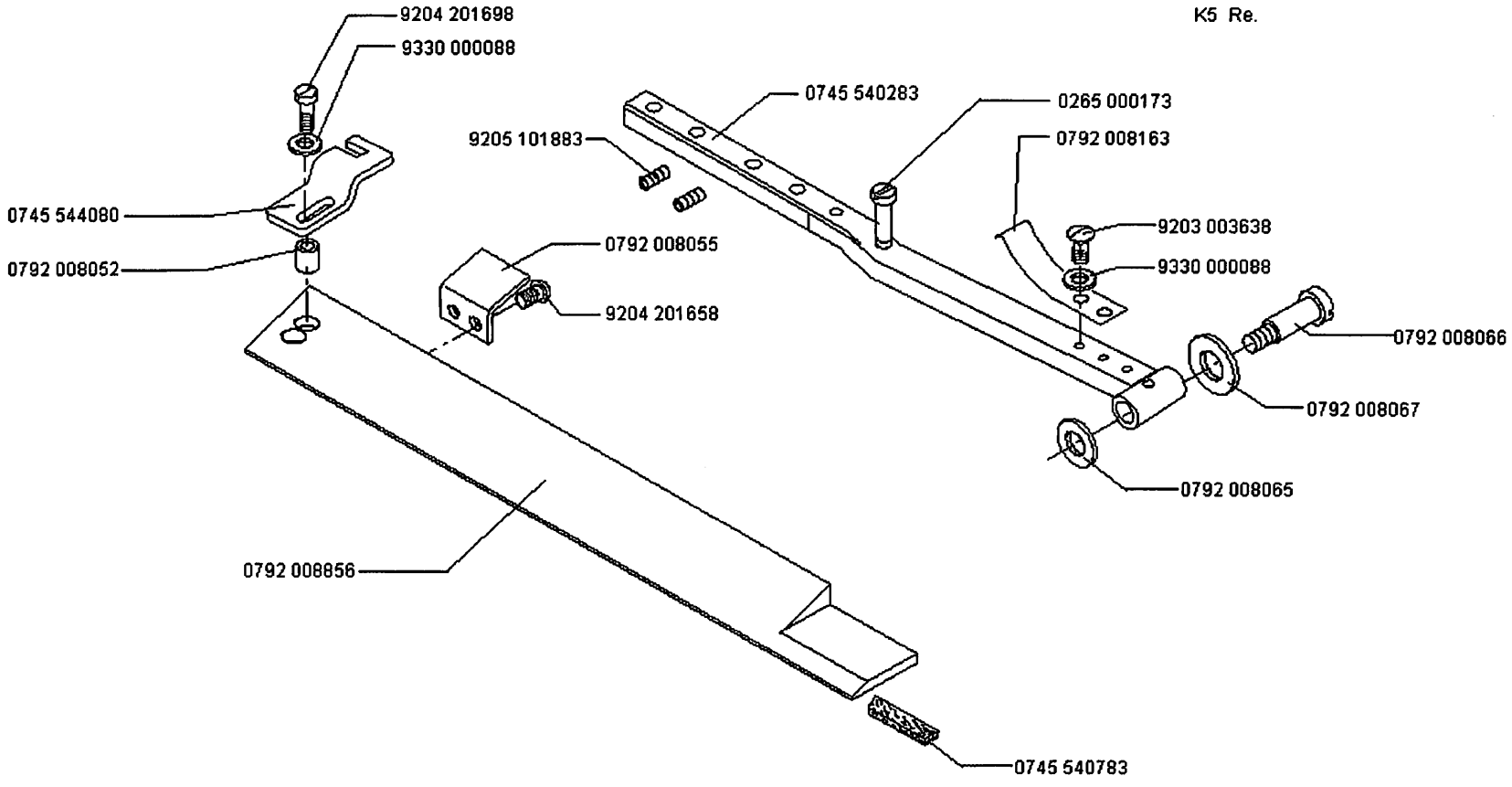
Scale 50 %

Cl. 745-34

Ausgabe/Edition 02.2004

0792 008853

K5 Re.



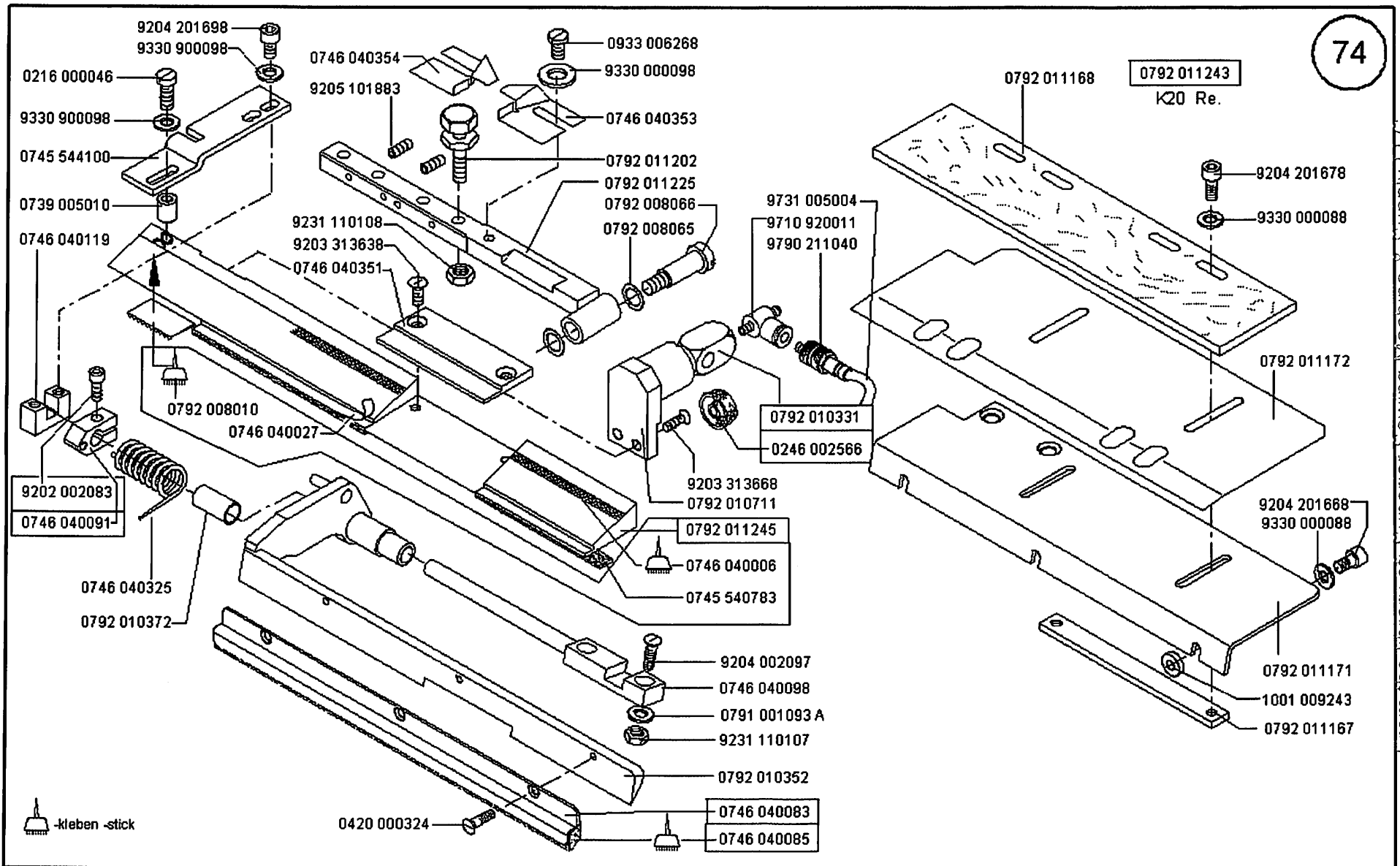
Scale 50 %

Cl. 745-34

Ausgabe/Edition 02.2004

From the library of: Superior Sewing Machine & Supply LLC

From the library of: Superior Sewing Machine & Supply LLC

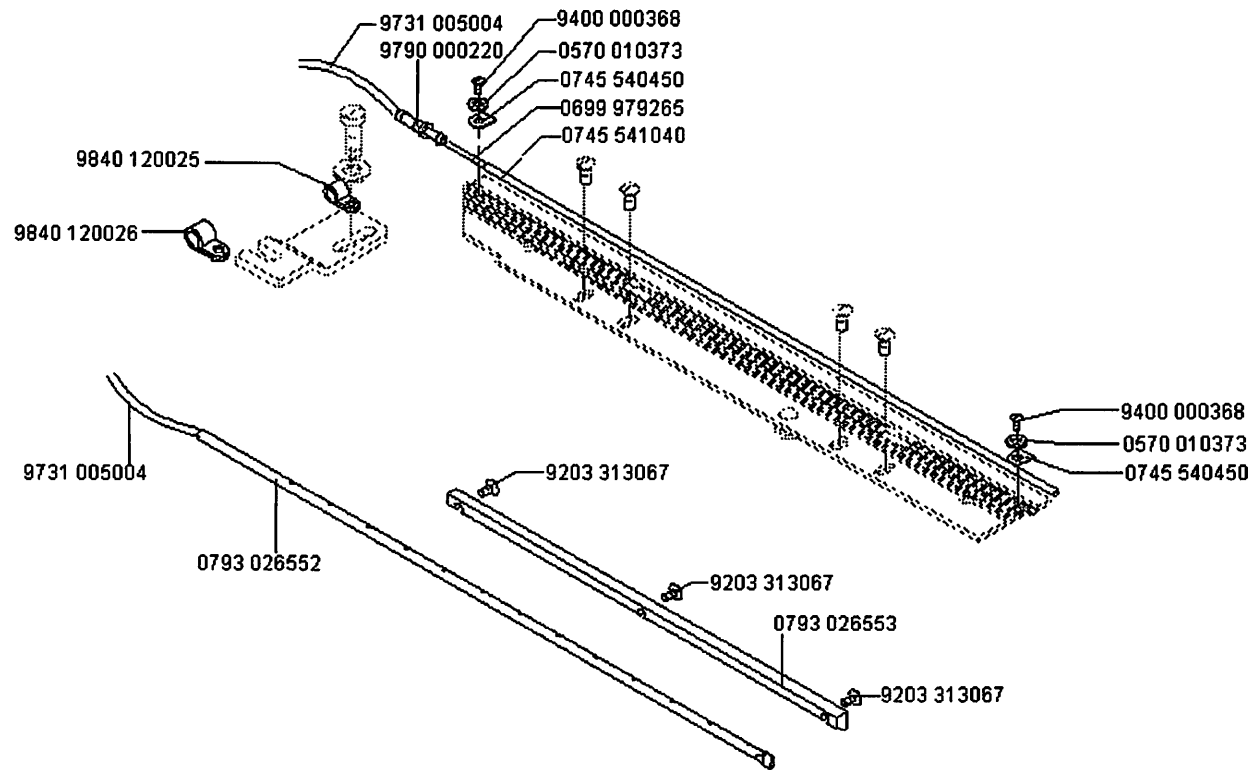


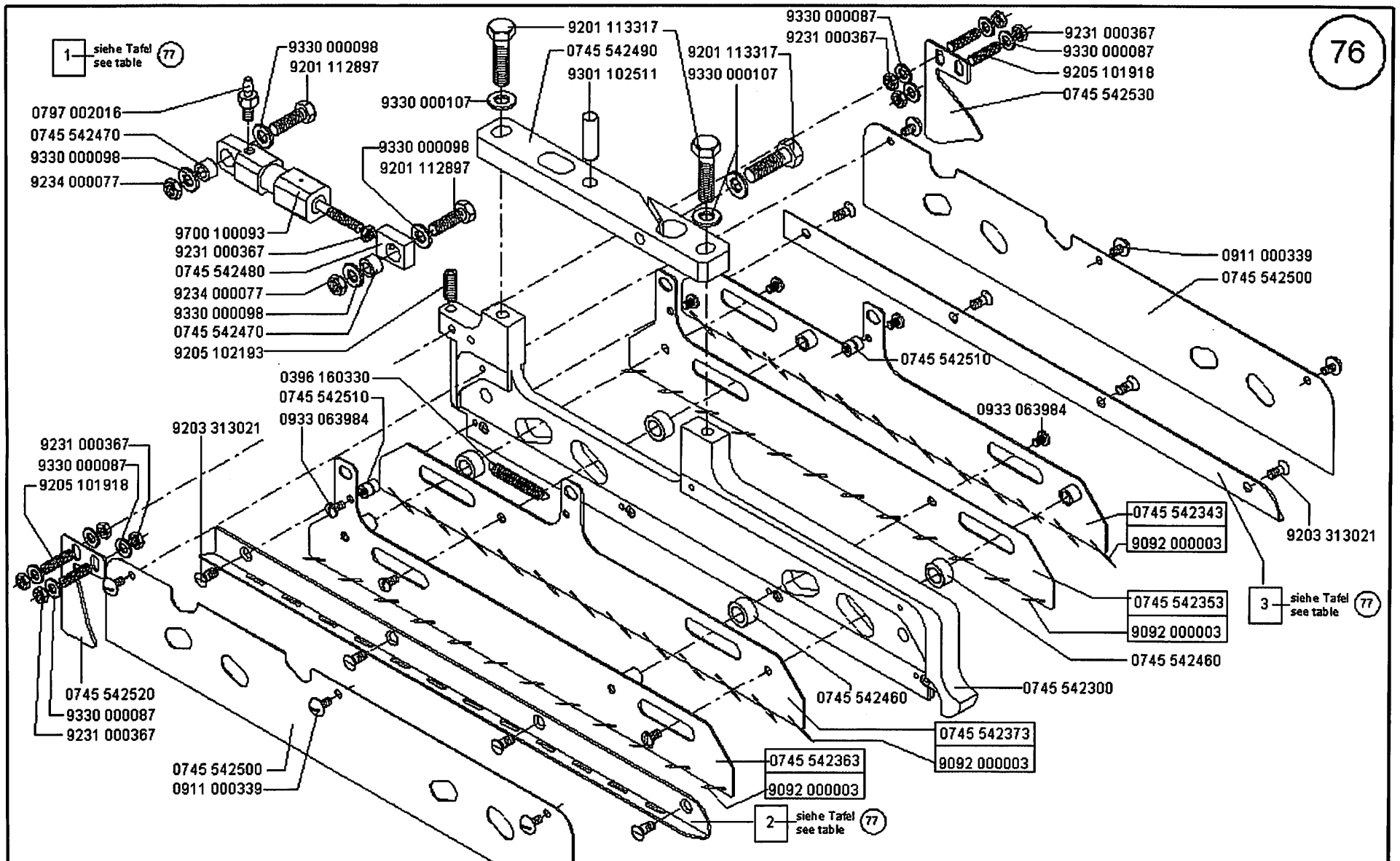
Scale 50 %

Cl. 745-34

Ausgabe/Edition 02.2004

From the library of: Superior Sewing Machine & Supply LLC





Scale 50 %

Cl. 745-34

Ausgabe/Edition 05.2004

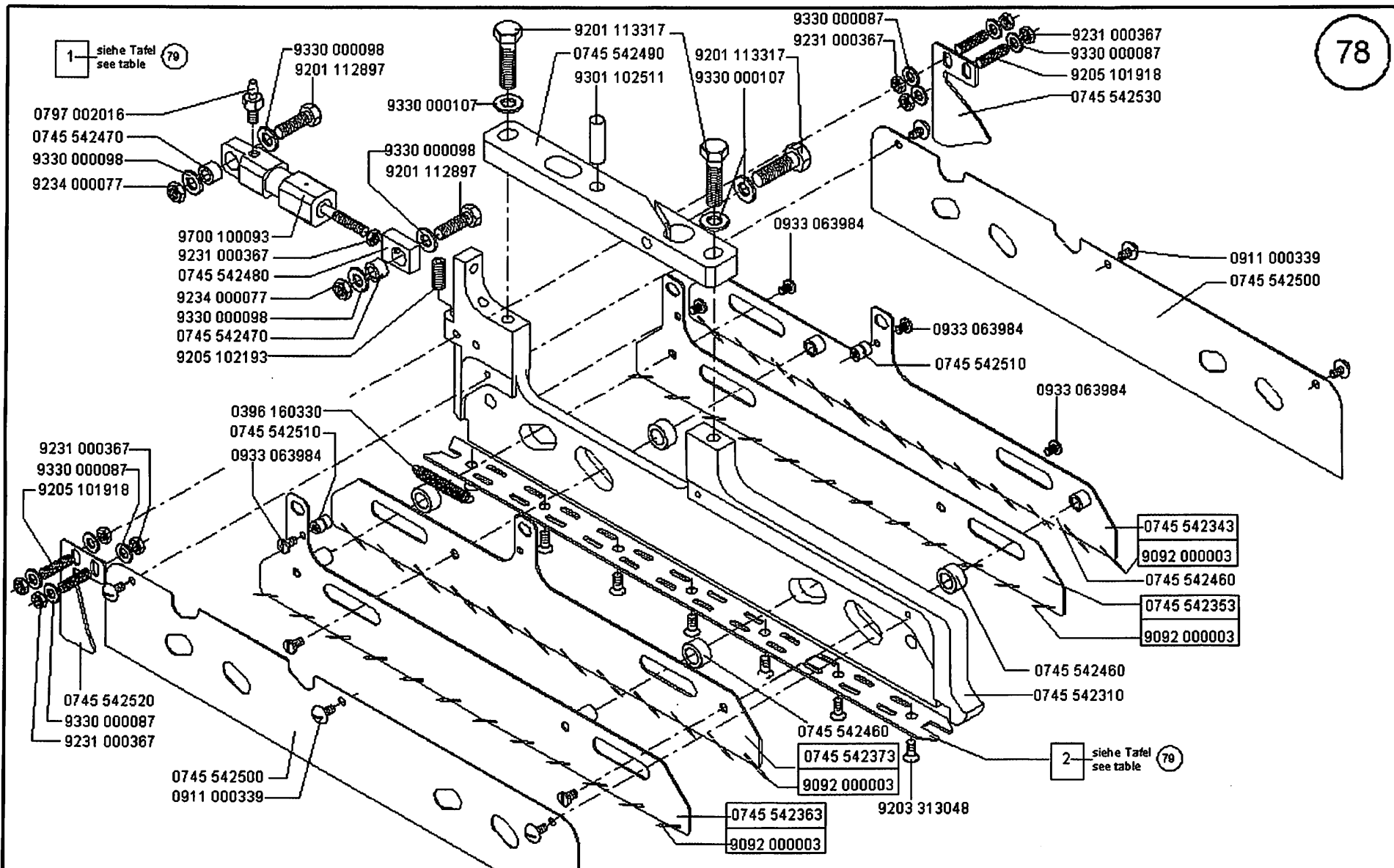
From the library of: Superior Sewing Machine & Supply LLC

From the library of: Superior Sewing Machine & Supply LLC

| Klasse Class | pos. 1 G. Faltstempel K Folder cpl. | S... | NA.. | pos. 2 Sohle Li. | pos. 3 Sohle Re. | | | |
|-----------------|---|-----------|------|---------------------|---------------------|--|--|--|
| 745-34 B/F | 0745 548004 | S334 S335 | NA10 | 0745 542010 | 0745 542000 | | | |
| 745-34 B/F | 0745 548014 | S341 S342 | NA12 | 0745 542030 | 0745 542020 | | | |
| | | | | | | | | |
| | | | | | | | | |
| | | | | | | | | |
| | | | | | | | | |
| | | | | | | | | |
| | | | | | | | | |
| | | | | | | | | |
| | | | | | | | | |
| | | | | | | | | |
| | | | | | | | | |
| | | | | | | | | |
| | | | | | | | | |
| | | | | | | | | |
| | | | | | | | | |
| | | | | | | | | |
| | | | | | | | | |
| | | | | | | | | |
| | | | | | | | | |
| | | | | | | | | |
| | | | | | | | | |
| | | | | | | | | |

From the library of: Superior Sewing Machine & Supply LLC

From the library of: Superior Sewing Machine & Supply LLC



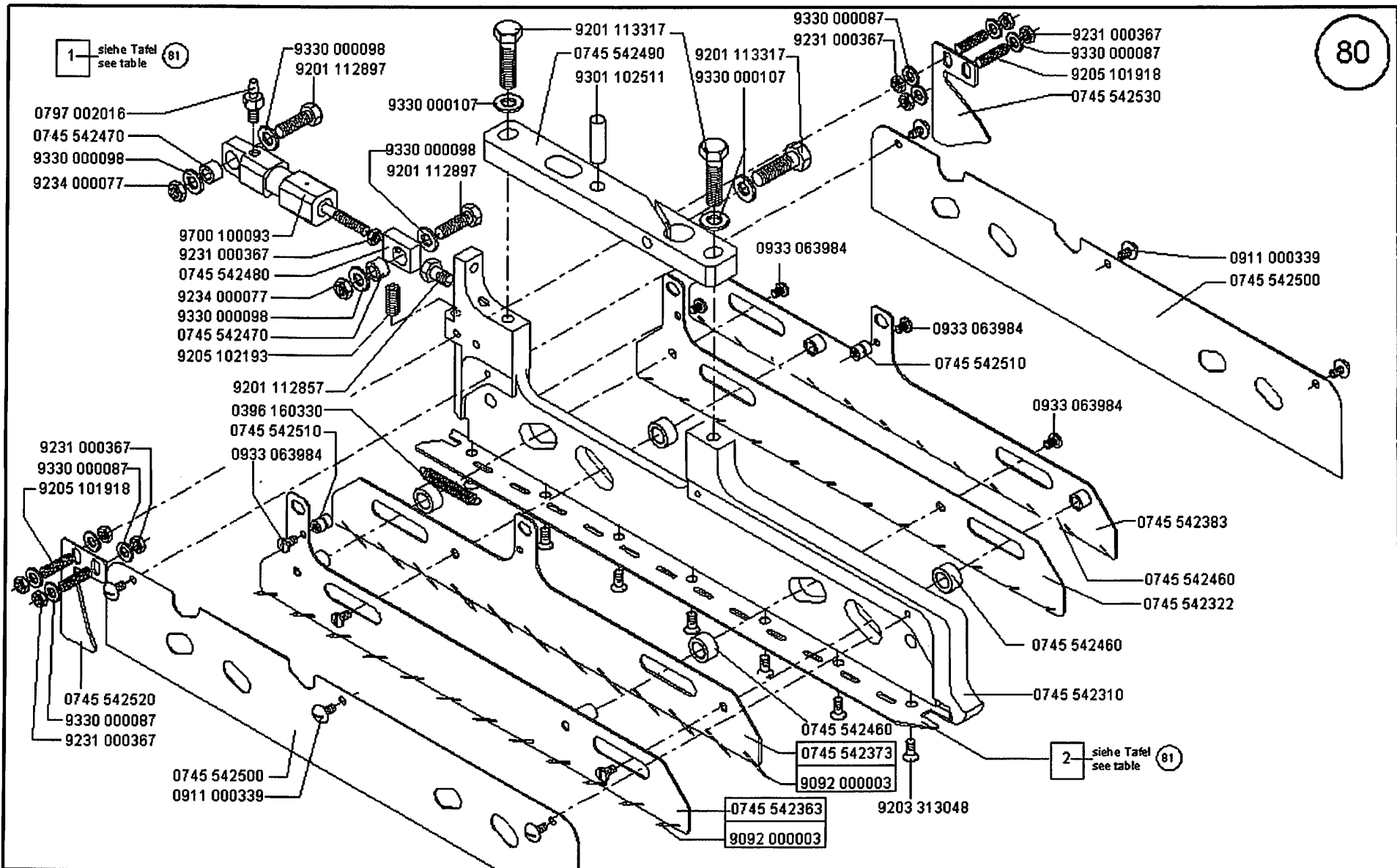
Scale 50 %

Cl. 745-34

Ausgabe/Edition 05.2004

From the library of: Superior Sewing Machine & Supply LLC

| Klasse Class | pos. 1 G. Faltstempel K Folder cpl. | S... | NA.. | pos. 2 Sohle Plain base | | | | |
|-----------------|---|-----------|------|-------------------------------|--|--|--|--|
| 745-34B/F | 0745 548054 | S330 S331 | NA10 | 0745 542100 | | | | |
| 745-34B/F | 0745 548064 | S337 S338 | NA12 | 0745 542110 | | | | |
| 745-34B/F | 0745 548074 | S345 | NA14 | 0745 542120 | | | | |
| 745-34B/F | 0745 548084 | S348 | NA16 | 0745 542130 | | | | |
| 745-34B/F | 0745 548094 | S351 | NA20 | 0745 542140 | | | | |
| | | | | | | | | |
| | | | | | | | | |
| | | | | | | | | |
| | | | | | | | | |
| | | | | | | | | |
| | | | | | | | | |
| | | | | | | | | |
| | | | | | | | | |
| | | | | | | | | |
| | | | | | | | | |
| | | | | | | | | |
| | | | | | | | | |
| | | | | | | | | |
| | | | | | | | | |
| | | | | | | | | |
| | | | | | | | | |
| | | | | | | | | |
| | | | | | | | | |



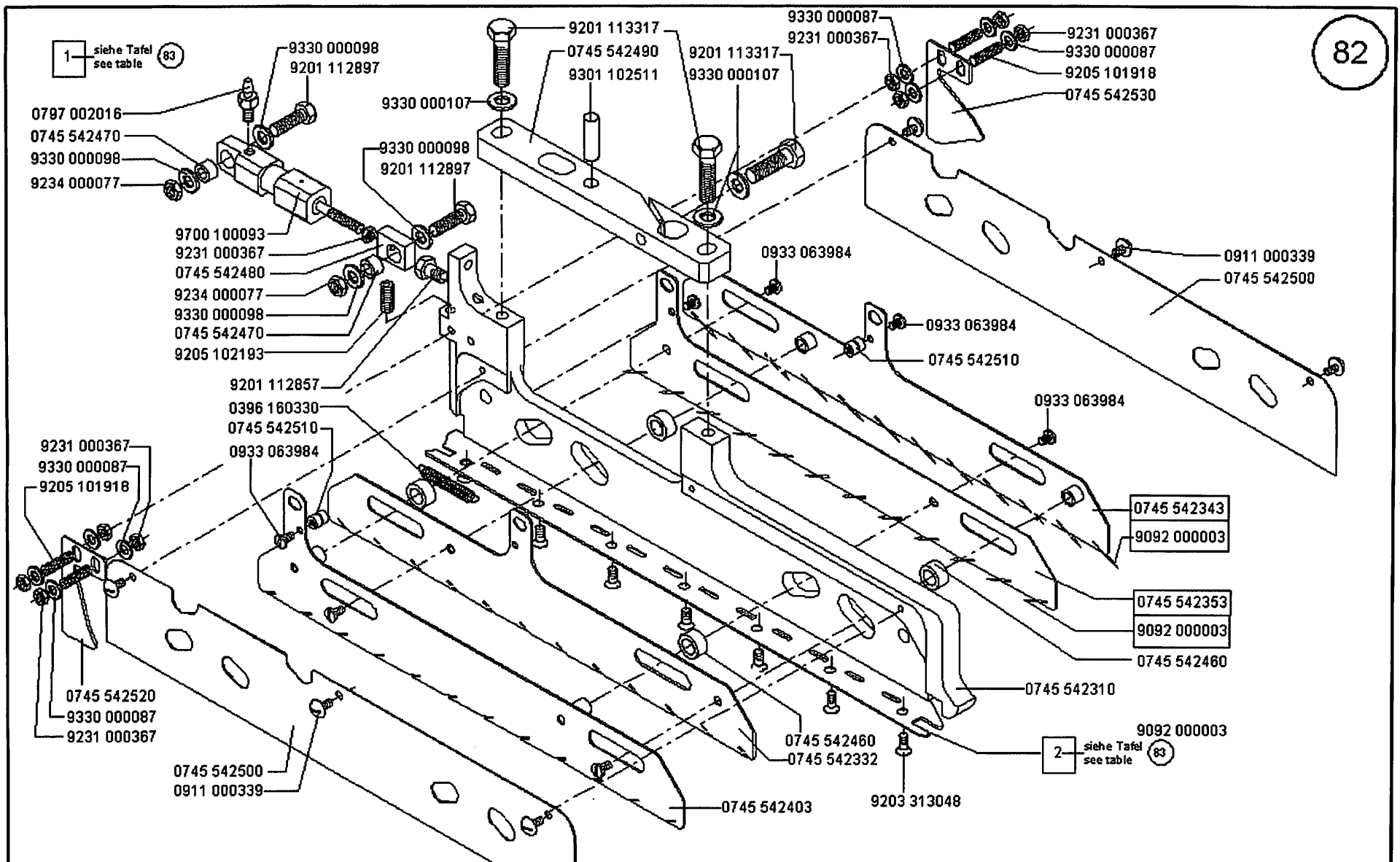
Scale 50 %

Cl. 745-34

Ausgabe/Edition 05.2004

From the library of: Superior Sewing Machine & Supply LLC

| Klasse Class | pos. 1 G. Faltstempel K Folder cpl. links/left | S... | NA.. | pos. 2 Sohle links/left | | | | |
|-----------------|---|------|------|-------------------------------|--|--|--|--|
| 745-34 B/F | 0745 548154 | S333 | NA10 | 0745 542200 | | | | |
| 745-34 B/F | 0745 548164 | S340 | NA12 | 0745 542210 | | | | |
| 745-34 B/F | 0745 548174 | S346 | NA14 | 0745 542220 | | | | |
| 745-34 B/F | 0745 548184 | S349 | NA16 | 0745 542230 | | | | |
| 745-34 B/F | 0745 548194 | S352 | NA20 | 0745 542240 | | | | |
| | | | | | | | | |
| | | | | | | | | |
| | | | | | | | | |
| | | | | | | | | |
| | | | | | | | | |
| | | | | | | | | |
| | | | | | | | | |
| | | | | | | | | |
| | | | | | | | | |
| | | | | | | | | |
| | | | | | | | | |
| | | | | | | | | |
| | | | | | | | | |
| | | | | | | | | |
| | | | | | | | | |
| | | | | | | | | |
| | | | | | | | | |
| | | | | | | | | |



Scale 50 %

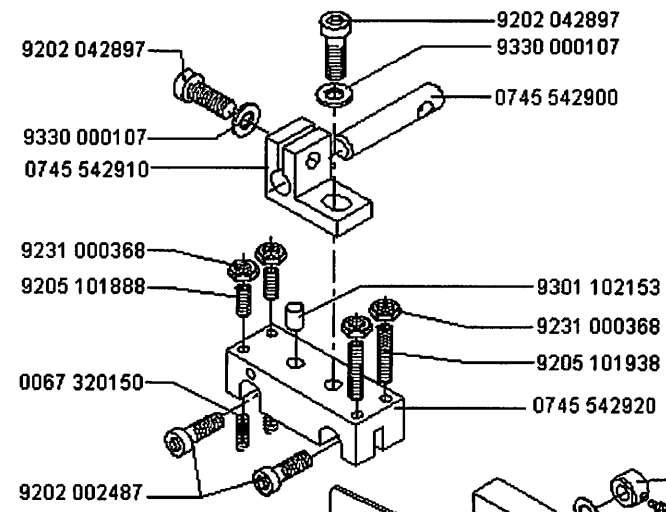
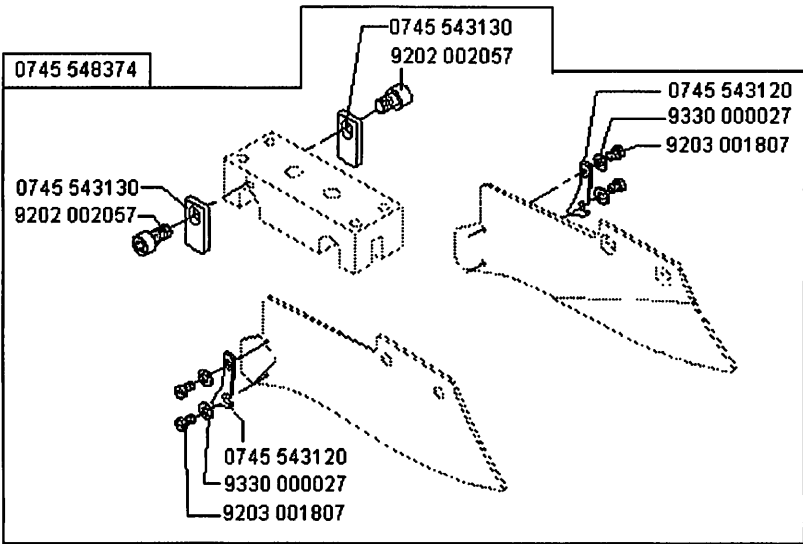
Cl. 745-34

Ausgabe/Edition 05.2004

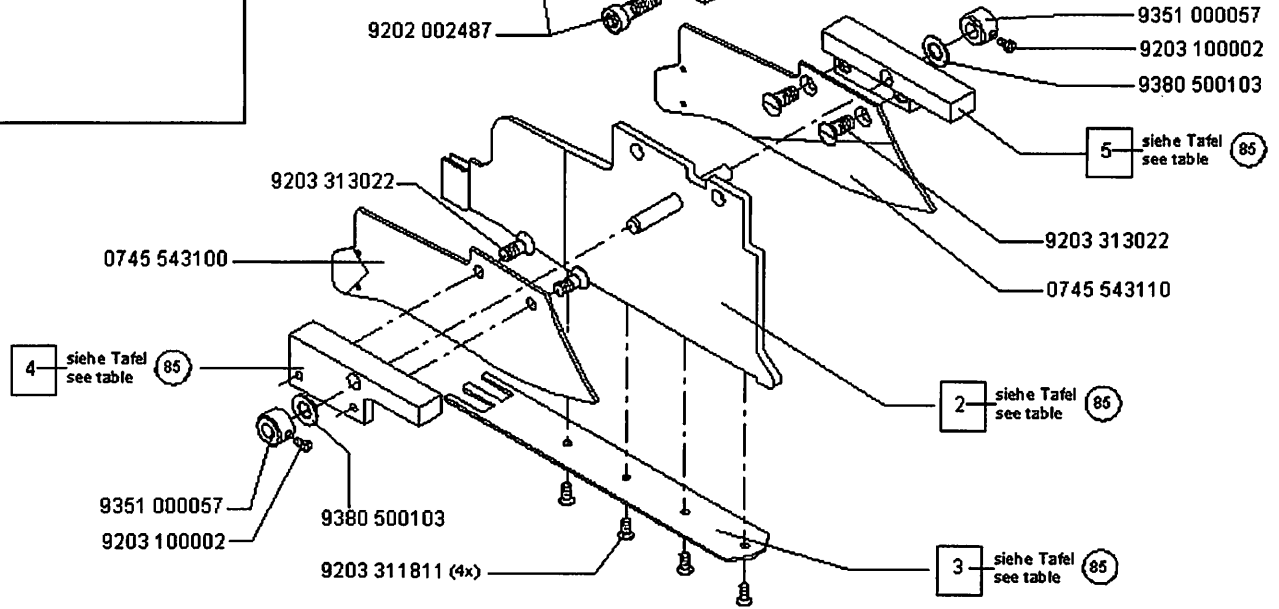
From the library of: Superior Sewing Machine & Supply LLC

From the library of: Superior Sewing Machine & Supply LLC

| Klasse Class | pos. 1 G. Faltstempel K Folder cpl. rechts/reight | S... | NA.. | pos. 2 Sohle Plain base rechts/reight | | | | |
|-----------------|--|------|------|--|--|--|--|--|
| 745-34 B/F | 0745 548104 | S332 | NA10 | 0745 542150 | | | | |
| 745-34 B/F | 0745 548114 | S339 | NA12 | 0745 542160 | | | | |
| 745-34 B/F | 0745 548124 | S347 | NA14 | 0745 542170 | | | | |
| 745-34 B/F | 0745 548134 | S350 | NA16 | 0745 542180 | | | | |
| 745-34 B/F | 0745 548144 | S353 | NA20 | 0745 542190 | | | | |
| | | | | | | | | |
| | | | | | | | | |
| | | | | | | | | |
| | | | | | | | | |
| | | | | | | | | |
| | | | | | | | | |
| | | | | | | | | |
| | | | | | | | | |
| | | | | | | | | |
| | | | | | | | | |
| | | | | | | | | |
| | | | | | | | | |
| | | | | | | | | |
| | | | | | | | | |
| | | | | | | | | |
| | | | | | | | | |
| | | | | | | | | |



1 siehe Tafel 85



Scale 50 %

CI. 745-34

Ausgabe/Edition 02.2004

From the library of: Superior Sewing Machine & Supply LLC

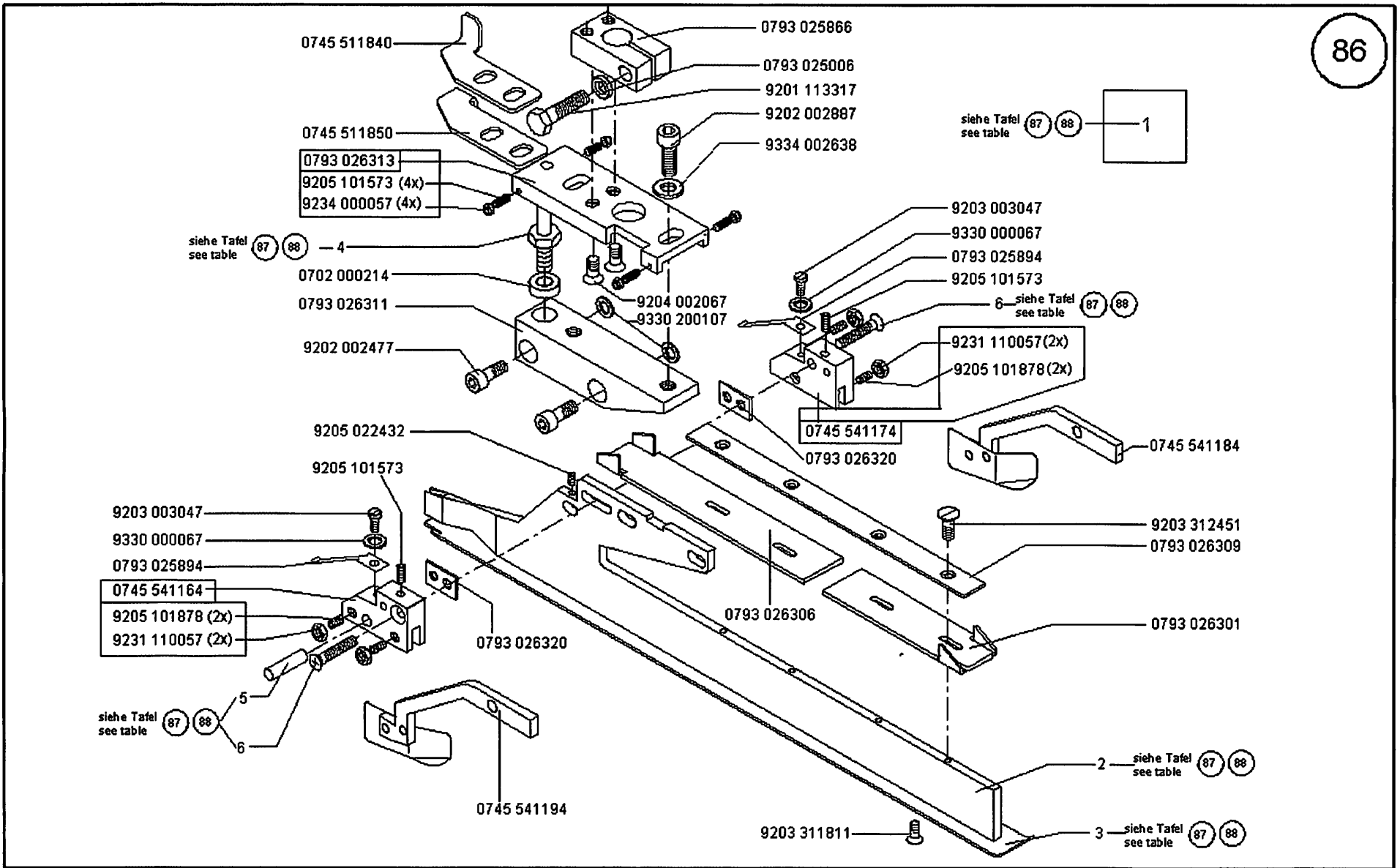
From the library of: Superior Sewing Machine & Supply LLC

| Klasse Class | pos. 1 Faltstempel K Folder cpl. | S... | NA.. | pos. 2 Steg V. Plain base | pos. 3 Sohle Web | pos. 4 Führungsbock Re. Guide frame reight | pos. 5 Führungsbock Li. Guide frame left | |
|-----------------|--|-----------|------|---------------------------------|------------------------|--|--|--|
| 745-34 B/F | 0745 548204 | S330 S334 | NA10 | 0745 542943 | 0745 542700 | 0745 543010 | 0745 543000 | |
| 745-34 B/F | 0745 548214 | S331 S335 | NA10 | 0745 542933 | 0745 542700 | 0745 543010 | 0745 543000 | |
| 745-34 B/F | 0745 548224 | S332 | NA10 | 0745 542943 | 0745 542750 | 0745 543010 | 0745 543000 | |
| 745-34 B/F | 0745 548234 | S333 | NA10 | 0745 542933 | 0745 542280 | 0745 543010 | 0745 543000 | |
| 745-34 B/F | 0745 548244 | S337 S341 | NA12 | 0745 542943 | 0745 542710 | 0745 543030 | 0745 543020 | |
| 745-34 B/F | 0745 548254 | S338 S342 | NA12 | 0745 542933 | 0745 542710 | 0745 543030 | 0745 543020 | |
| 745-34 B/F | 0745 548264 | S339 | NA12 | 0745 542943 | 0745 542760 | 0745 543030 | 0745 543020 | |
| 745-34 B/F | 0745 548274 | S340 | NA12 | 0745 542933 | 0745 542810 | 0745 543030 | 0745 543020 | |
| 745-34 B/F | 0745 548284 | S344 S345 | NA14 | 0745 542973 | 0745 542720 | 0745 543050 | 0745 543040 | |
| 745-34 B/F | 0745 548294 | S346 | NA14 | 0745 542973 | 0745 542820 | 0745 543050 | 0745 543040 | |
| 745-34 B/F | 0745 548304 | S347 | NA14 | 0745 542973 | 0745 542770 | 0745 543050 | 0745 543040 | |
| 745-34 B/F | 0745 548314 | S348 | NA16 | 0745 542973 | 0745 542730 | 0745 543070 | 0745 543060 | |
| 745-34 B/F | 0745 548324 | S349 | NA16 | 0745 542973 | 0745 542830 | 0745 543070 | 0745 543060 | |
| 745-34 B/F | 0745 548334 | S350 | NA16 | 0745 542973 | 0745 542780 | 0745 543070 | 0745 543060 | |
| 745-34 B/F | 0745 548344 | S351 | NA20 | 0745 542973 | 0745 542740 | 0745 543090 | 0745 543080 | |
| 745-34 B/F | 0745 548354 | S352 | NA20 | 0745 542973 | 0745 542840 | 0745 543090 | 0745 543080 | |
| 745-34 B/F | 0745 548364 | S353 | NA20 | 0745 542973 | 0745 542790 | 0745 543090 | 0745 543080 | |

Scale 100 %

CL.745-34

Ausgabe/Edition 02.2004



Scale 50 %

CL.745-34

Ausgabe/Edition 02.2004

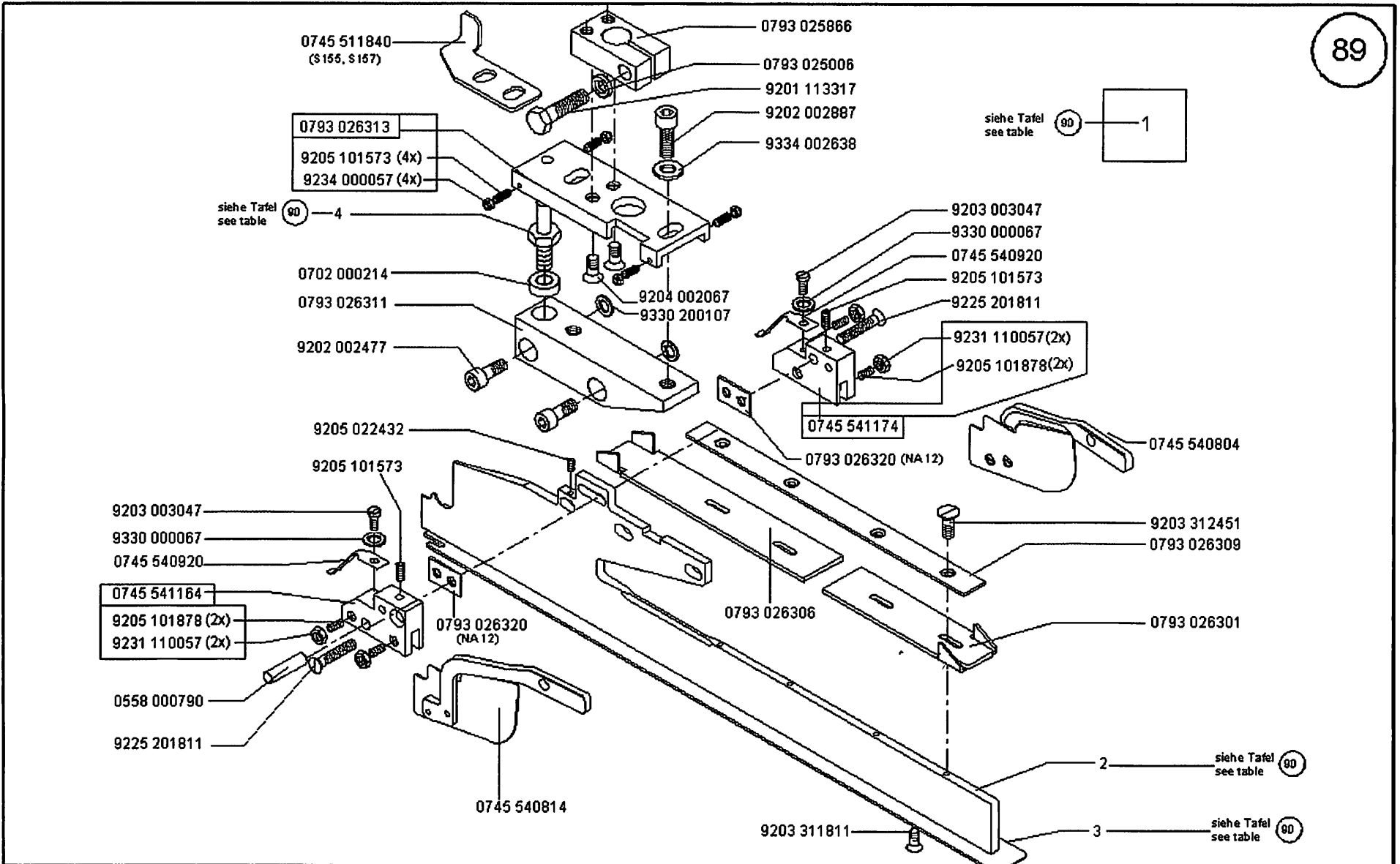
From the library of: Superior Sewing Machine & Supply LLC

From the library of: Superior Sewing Machine & Supply LLC

From the library of: Superior Sewing Machine & Supply LLC

| Klasse Class | pos. 1 Faltstempel K Folder cpl. | S... | NA... | pos. 2 Stegblech Plain base | pos. 3 Sohle Plain base | pos. 4 Bolzen Bolt | pos. 5 Zyl. Stift Cyl. pin | pos. 6 Senkschr. Sunk screw | |
|-----------------|--|------|-------|-----------------------------------|-------------------------------|--------------------------|----------------------------------|-----------------------------------|--|
| 745-34 A | 0793 026403 | S93 | NA14 | 0793 026297 | 0745 541310 | 0793 025008 | 0551 003254 | 9225 201820 | |
| 745-34 A | 0793 026423 | S94 | NA14 | 0793 026297 | 0745 541330 | 0792 005994 | 0551 003254 | 9225 201820 | |
| 745-34 A | 0793 026463 | S97 | NA10 | 0793 026447 | 0745 541100 | 0793 025008 | 0558 000790 | 9225 201810 | |
| 745-34 A | 0793 026473 | S98 | NA10 | 0793 026437 | 0745 541150 | 0793 025008 | 0558 000790 | 9225 201810 | |
| 745-34 A | 0793 026483 | S99 | NA10 | 0793 026437 | 0745 541130 | 0792 005994 | 0558 000790 | 9225 201810 | |
| 745-34 A | 0793 026503 | S100 | NA12 | 0793 026447 | 0745 541200 | 0793 025008 | 0558 000790 | 9225 201810 | |
| 745-34 A | 0793 026513 | S101 | NA12 | 0793 026437 | 0745 541240 | 0793 025008 | 0558 000790 | 9225 201810 | |
| 745-34 A | 0793 026523 | S102 | NA12 | 0793 026437 | 0745 541120 | 0792 005994 | 0558 000790 | 9225 201810 | |
| 745-34 A | 0793 026713 | S110 | NA10 | 0793 026447 | 0745 541260 | 0792 005994 | 0558 000790 | 9225 201810 | |
| 745-34 A | 0793 026723 | S111 | NA12 | 0793 026447 | 0745 541230 | 0792 005994 | 0558 000790 | 9225 201810 | |
| 745-34 A | 0793 026733 | S112 | NA14 | 0793 026447 | 0745 541300 | 0793 025008 | 0551 003254 | 9225 201820 | |
| 745-34 A | 0793 026743 | S113 | NA14 | 0793 026447 | 0745 541320 | 0792 005994 | 0558 000790 | 9225 201820 | |
| 745-34 A | 0793 026753 | S114 | NA16 | 0793 026447 | 0745 541400 | 0793 025008 | 0558 000215 | 9225 201820 | |
| | | | | | | | | | |
| | | | | | | | | | |
| | | | | | | | | | |
| | | | | | | | | | |

| Klasse Class | pos. 1 Faltstempel K Folder cpl. | S... | NA.. | pos. 2 Stegblech | pos. 3 Sohle Plain base | pos. 4 Bolzen Bolt | pos. 5 Zyl. Stift Cyl. pin | pos. 6 Senkschr. Sunk screw | |
|-----------------|--|------|------|---------------------|-------------------------------|--------------------------|----------------------------------|-----------------------------------|--|
| 745-34 A | 0793 026763 | S115 | NA16 | 0793 026447 | 0745 541420 | 0792 005994 | 0558 000215 | 9225 201820 | |
| 745-34 A | 0793 026773 | S116 | NA20 | 0793 026447 | 0745 541500 | 0793 025008 | 0558 000215 | 9225 201850 | |
| 745-34 A | 0793 026783 | S117 | NA20 | 0793 026447 | 0745 541520 | 0793 005994 | 0558 000215 | 9225 201850 | |
| 745-34 A | 0793 026793 | S118 | NA16 | 0793 026297 | 0745 541410 | 0793 025008 | 0558 000215 | 9225 201820 | |
| 745-34 A | 0793 026803 | S119 | NA16 | 0793 026297 | 0745 541430 | 0793 005994 | 0558 000215 | 9225 201820 | |
| 745-34 A | 0793 026813 | S120 | NA16 | 0793 026297 | 0745 541440 | 0792 005994 | 0558 000215 | 9225 201820 | |
| 745-34 A | 0793 026823 | S121 | NA20 | 0793 026297 | 0745 541510 | 0793 025008 | 0558 000215 | 9225 201850 | |
| 745-34 A | 0793 026833 | S122 | NA20 | 0793 026297 | 0745 541530 | 0793 005994 | 0558 000215 | 9225 201850 | |
| 745-34 A | 0793 026843 | S123 | NA20 | 0793 026297 | 0745 541540 | 0792 005994 | 0558 000215 | 9225 201850 | |
| 745-34 A | 0793 026893 | S125 | NA12 | 0793 026887 | 0793 026896 | 0793 025008 | 0558 000215 | 9225 201850 | |
| 745-34 A | 0793 026903 | S126 | NA14 | 0793 026887 | 0793 026906 | 0793 025008 | 0558 000215 | 9225 201850 | |
| 745-34 A | 0793 026703 | S109 | NA12 | 0793 026697 | 0793 026697 | 0792 005994 | 0558 000790 | 9225 201810 | |
| 745-34 A | 0793 026883 | S124 | NA10 | 0793 026887 | 0793 026888 | 0793 025008 | | | |
| | | | | | | | | | |
| | | | | | | | | | |
| | | | | | | | | | |
| | | | | | | | | | |



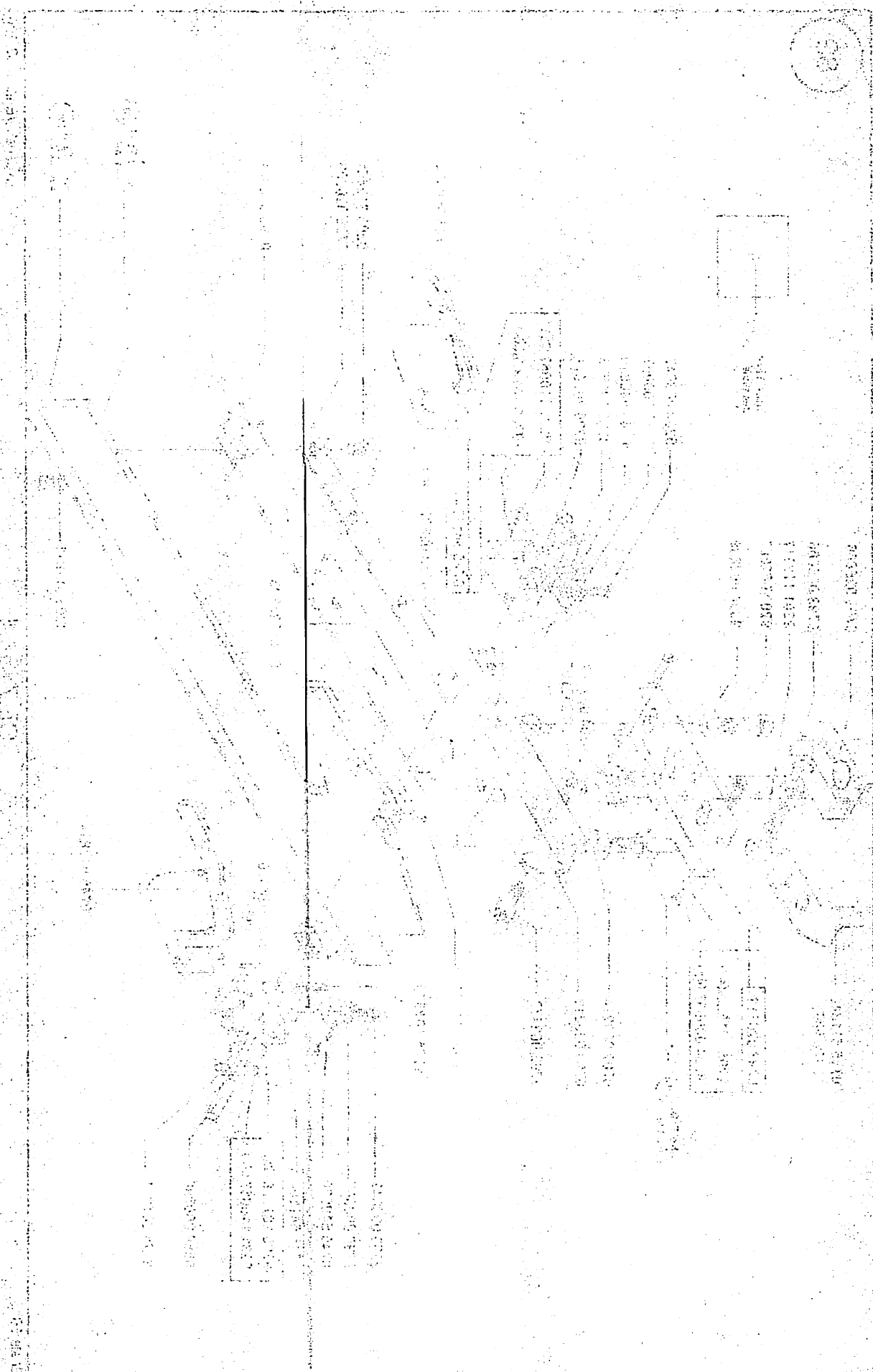
Scale 50 %

CL.745-34

Ausgabe/Edition 02.2004

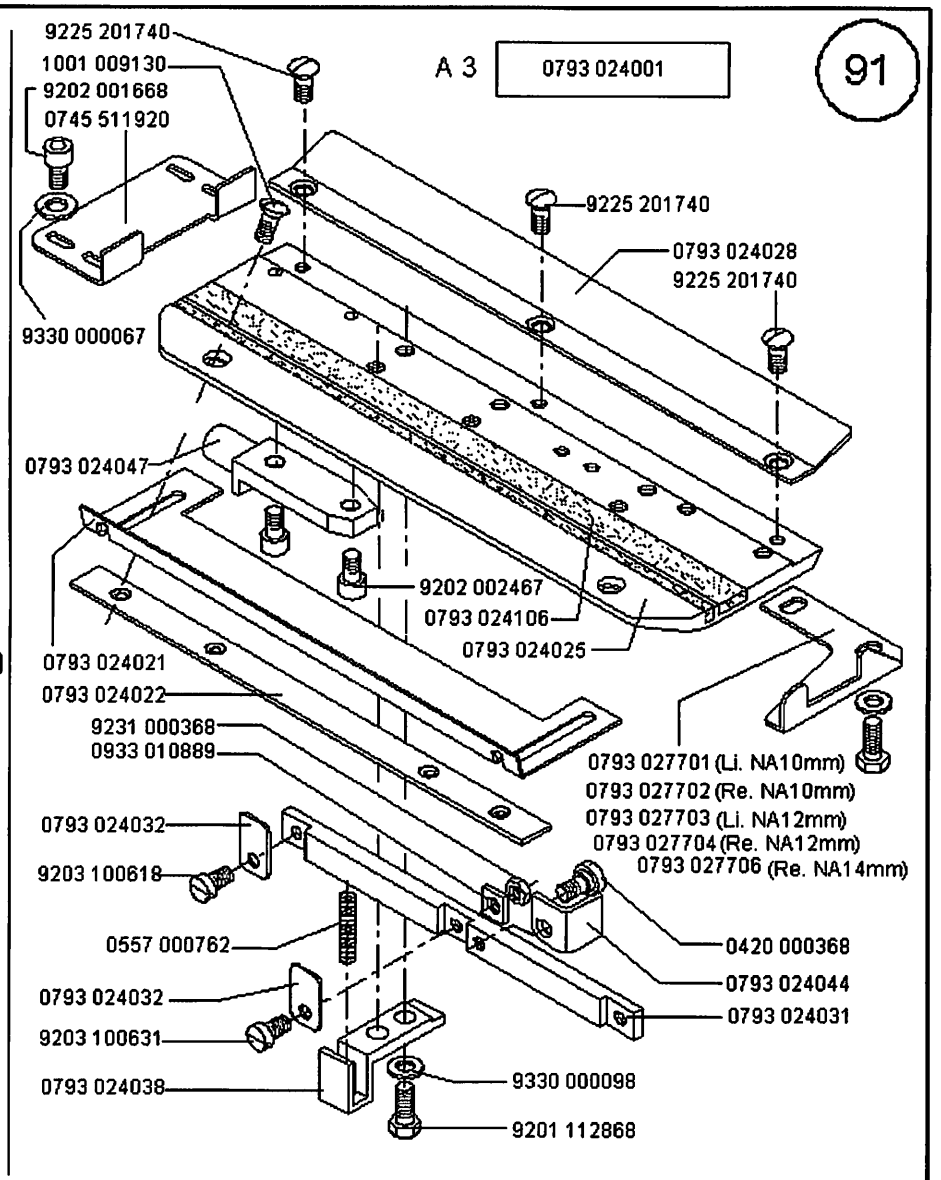
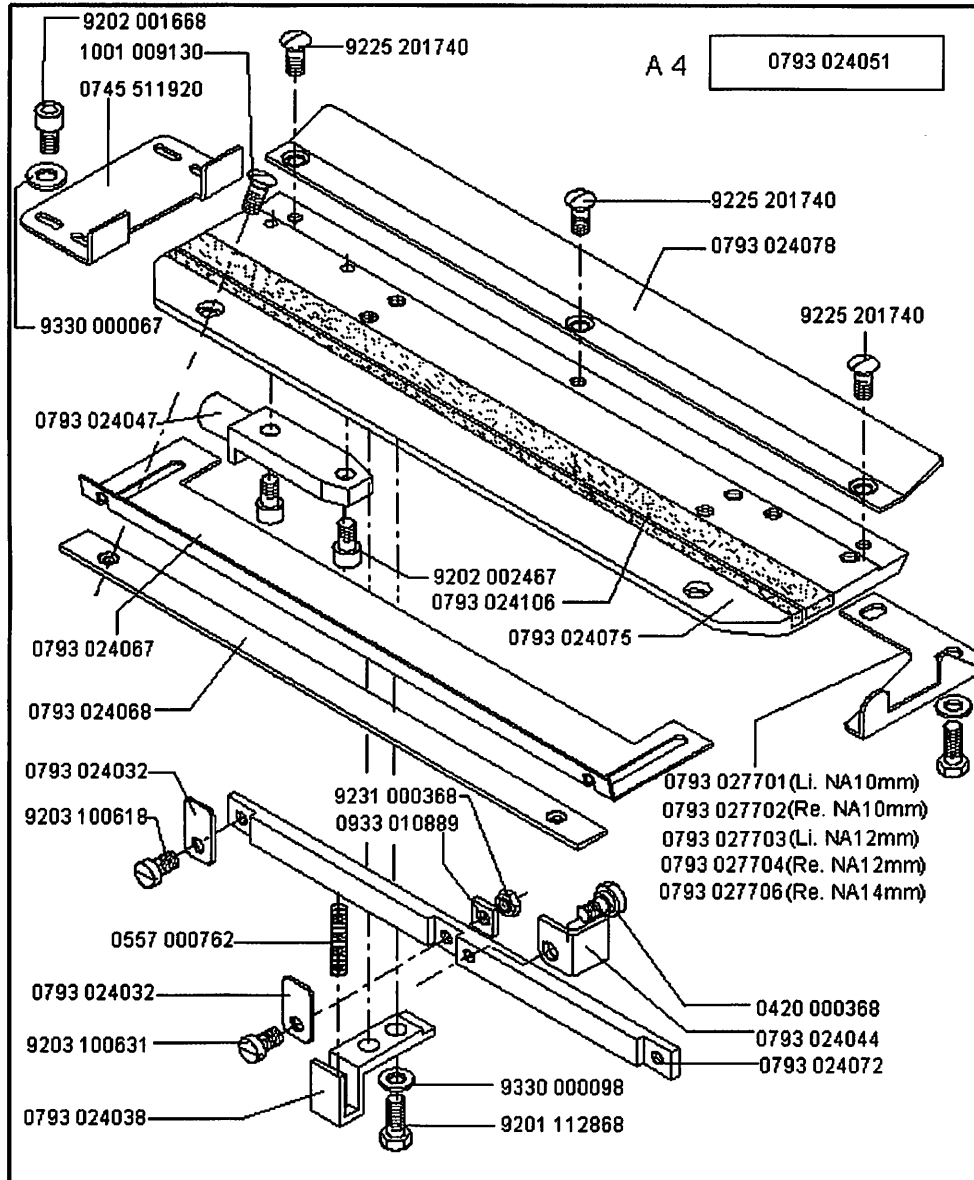
From the library of: Superior Sewing Machine & Supply LLC

From the library of: Superior Sewing Machine & Supply LLC



From the library of: Superior Sewing Machine & Supply LLC

| Klasse Class | pos. 1 Faltstempel K Folder cpl. | S... | NA.. | pos. 2 Stegblech | pos. 3 Sohle Plain base | pos. 4 Bolzen Bolt | | | |
|-----------------|--|------|------|---------------------|-------------------------------|--------------------------|--|--|--|
| 745-34 A | 0745 547754 | S154 | NA10 | 0745 540840 | 0745 541150 | 0793 025008 | | | |
| 745-34 A | 0745 547764 | S155 | NA10 | 0745 540840 | 0745 541130 | 0792 005994 | | | |
| 745-34 A | 0745 547774 | S156 | NA12 | 0745 540840 | 0745 541200 | 0793 025008 | | | |
| 745-34 A | 0745 547784 | S157 | NA12 | 0745 540840 | 0745 541240 | 0792 005994 | | | |
| | | | | | | | | | |
| | | | | | | | | | |
| | | | | | | | | | |
| | | | | | | | | | |
| | | | | | | | | | |
| | | | | | | | | | |
| | | | | | | | | | |
| | | | | | | | | | |
| | | | | | | | | | |
| | | | | | | | | | |
| | | | | | | | | | |
| | | | | | | | | | |
| | | | | | | | | | |
| | | | | | | | | | |
| | | | | | | | | | |
| | | | | | | | | | |
| | | | | | | | | | |
| | | | | | | | | | |
| | | | | | | | | | |
| | | | | | | | | | |
| | | | | | | | | | |
| | | | | | | | | | |
| | | | | | | | | | |
| | | | | | | | | | |
| | | | | | | | | | |
| | | | | | | | | | |
| | | | | | | | | | |



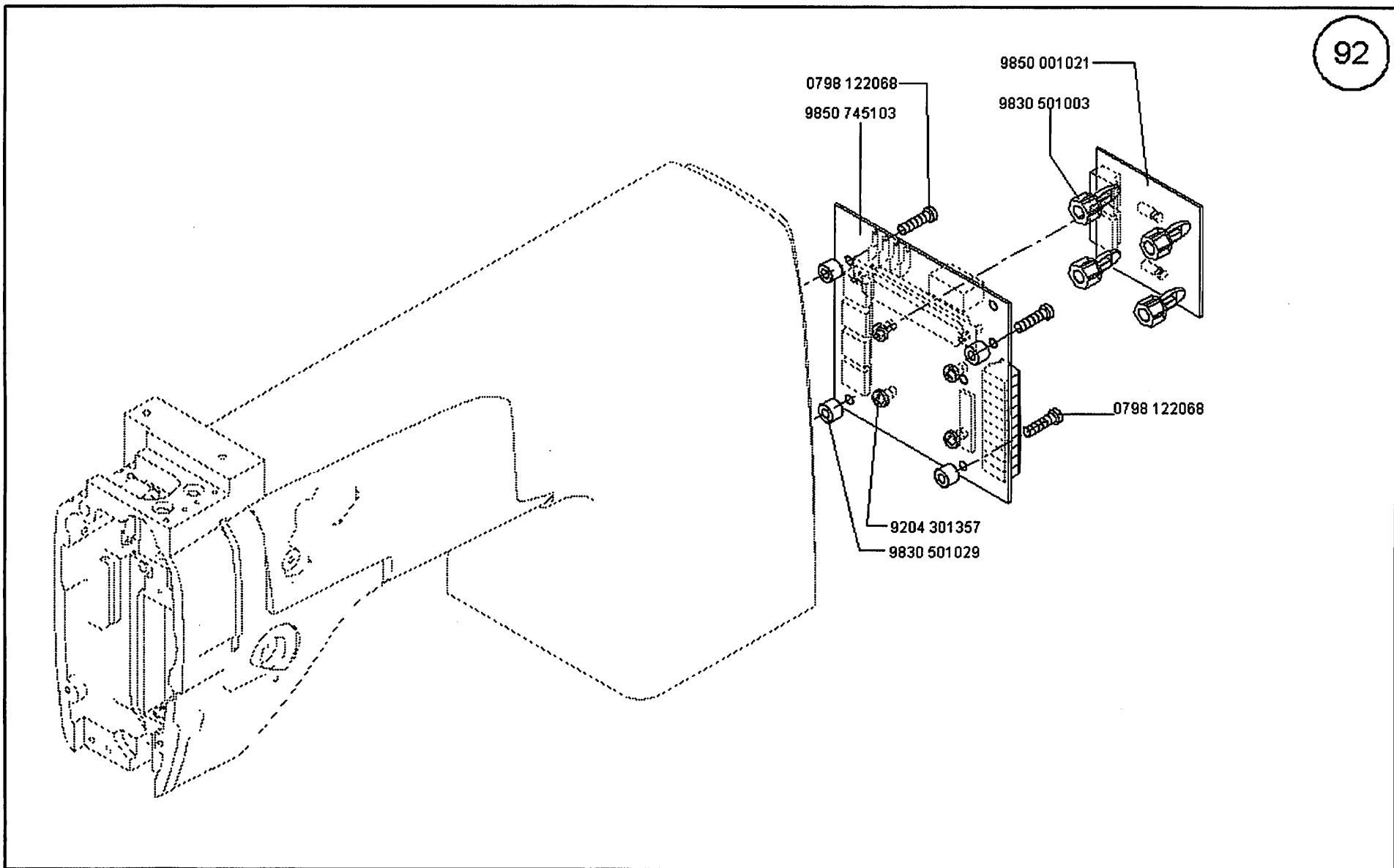
Scale 50 %

CI. 745-34

Ausgabe/Edition 04.2002

From the library of: Superior Sewing Machine & Supply LLC

From the library of: Superior Sewing Machine & Supply LLC



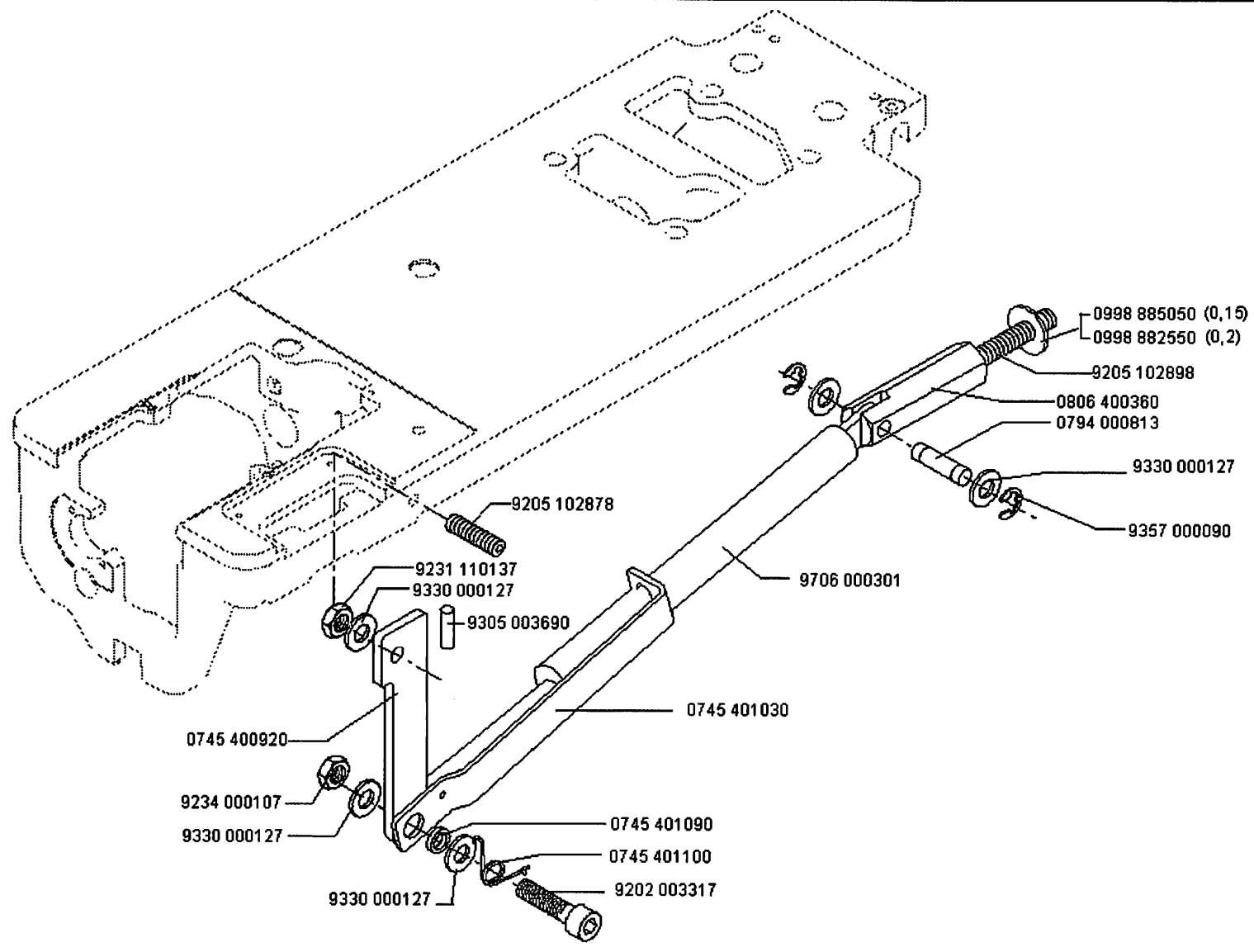
Scale 50 %

Cl. 745-34

Ausgabe/Edition 04.2002

From the library of: Superior Sewing Machine & Supply LLC

From the library of: Superior Sewing Machine & Supply LLC



Scale 50 %

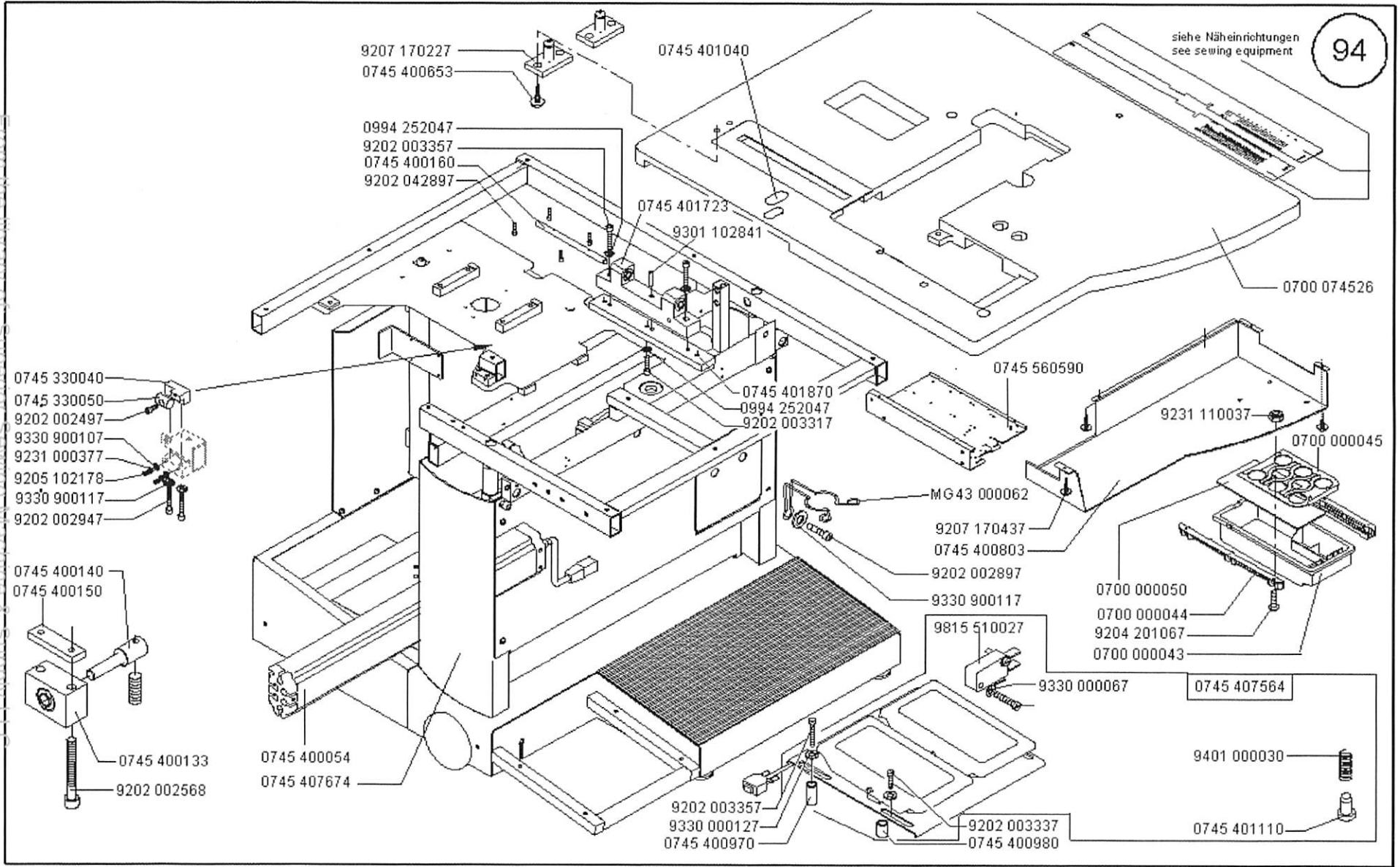
CI. 745-34

Ausgabe/Edition 09.2003

From the library of: Superior Sewing Machine & Supply LLC

From the library of: Superior Sewing Machine & Supply LLC

From the library of: Superior Sewing Machine & Supply LLC

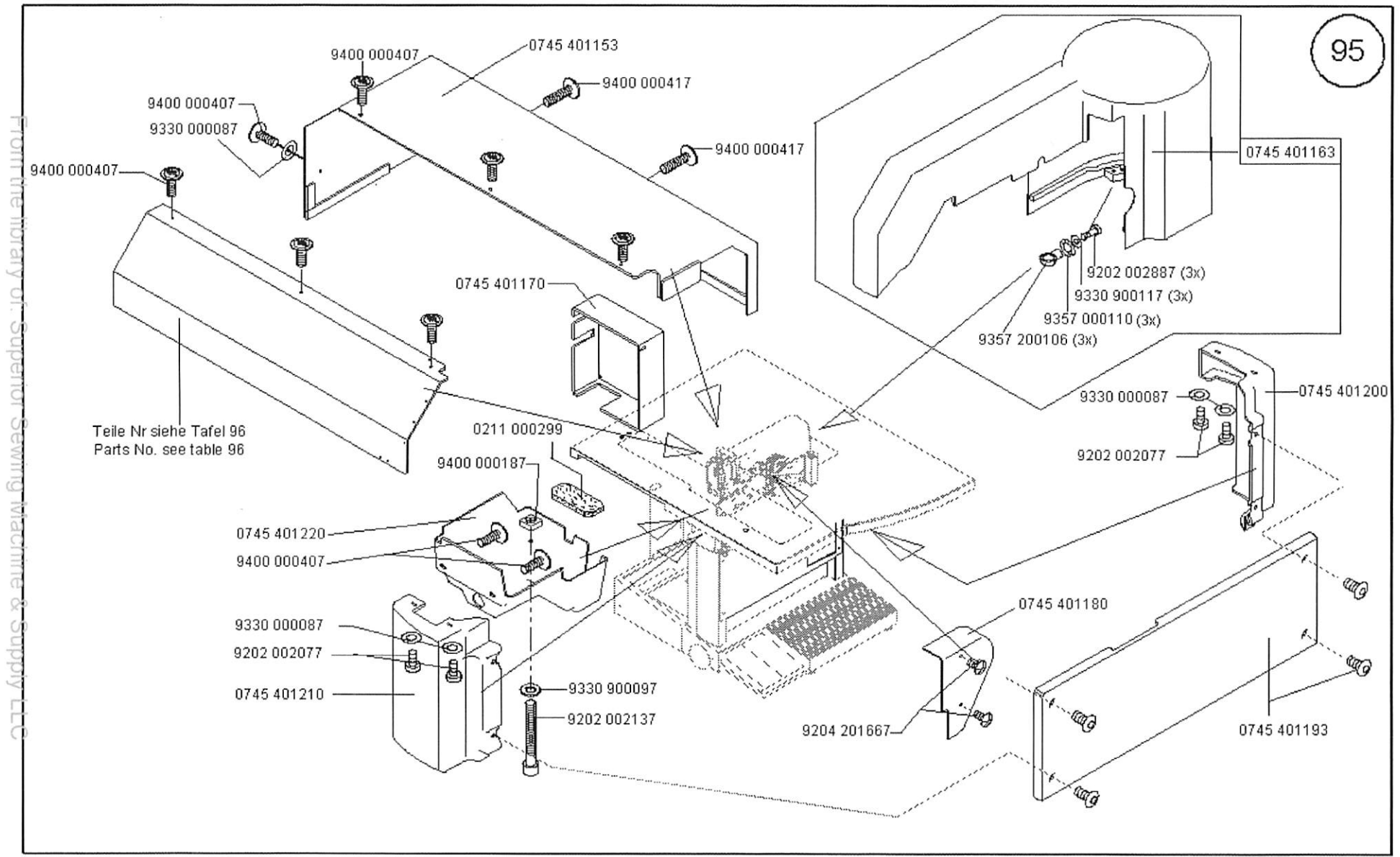


siehe Näheinrichtungen
see sewing equipment

Scale 50 %

Cl. 745-34

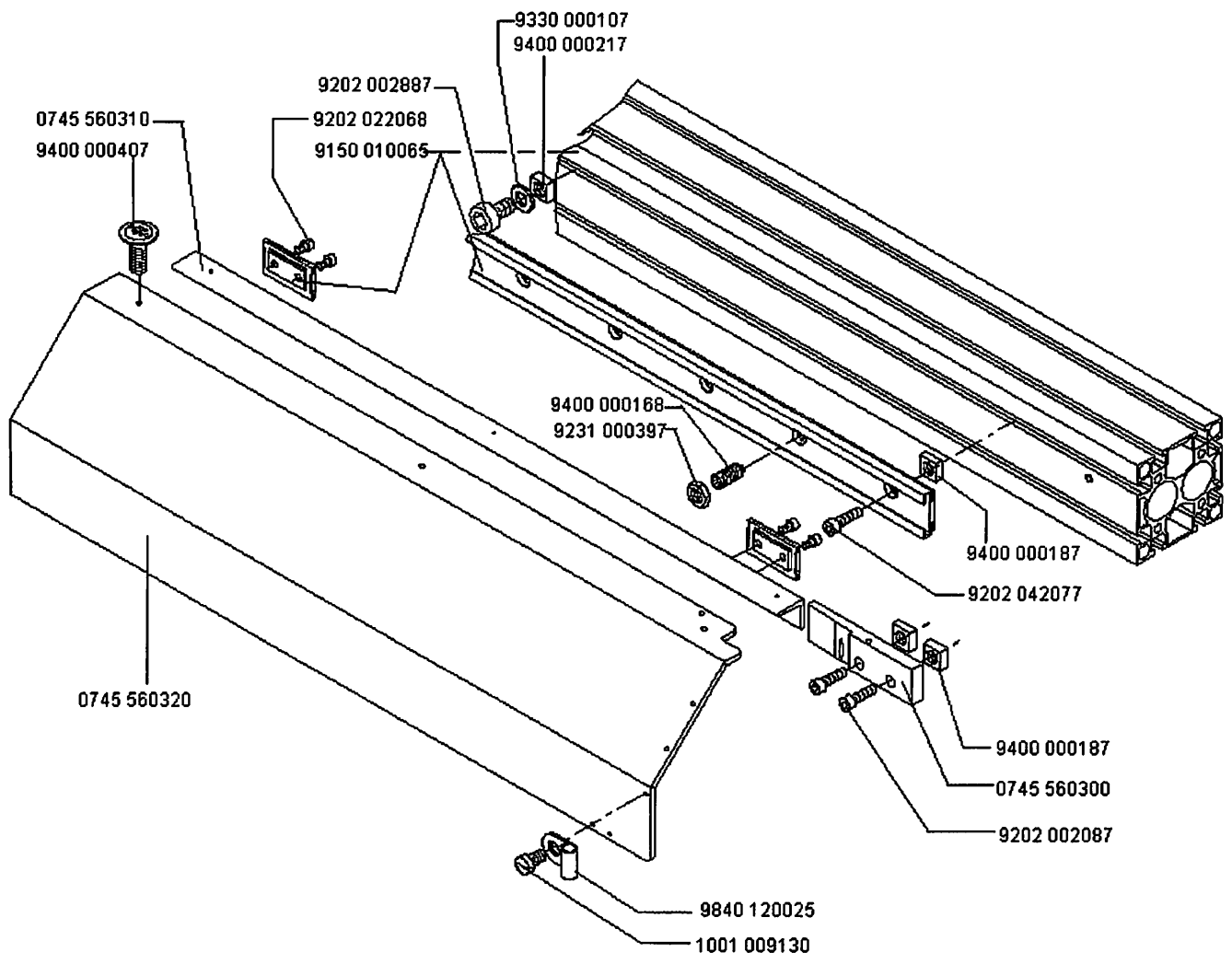
Ausgabe/Edition 02. 2004



Scale 50 %

Cl. 745-34

Ausgabe/Edition 02. 2004



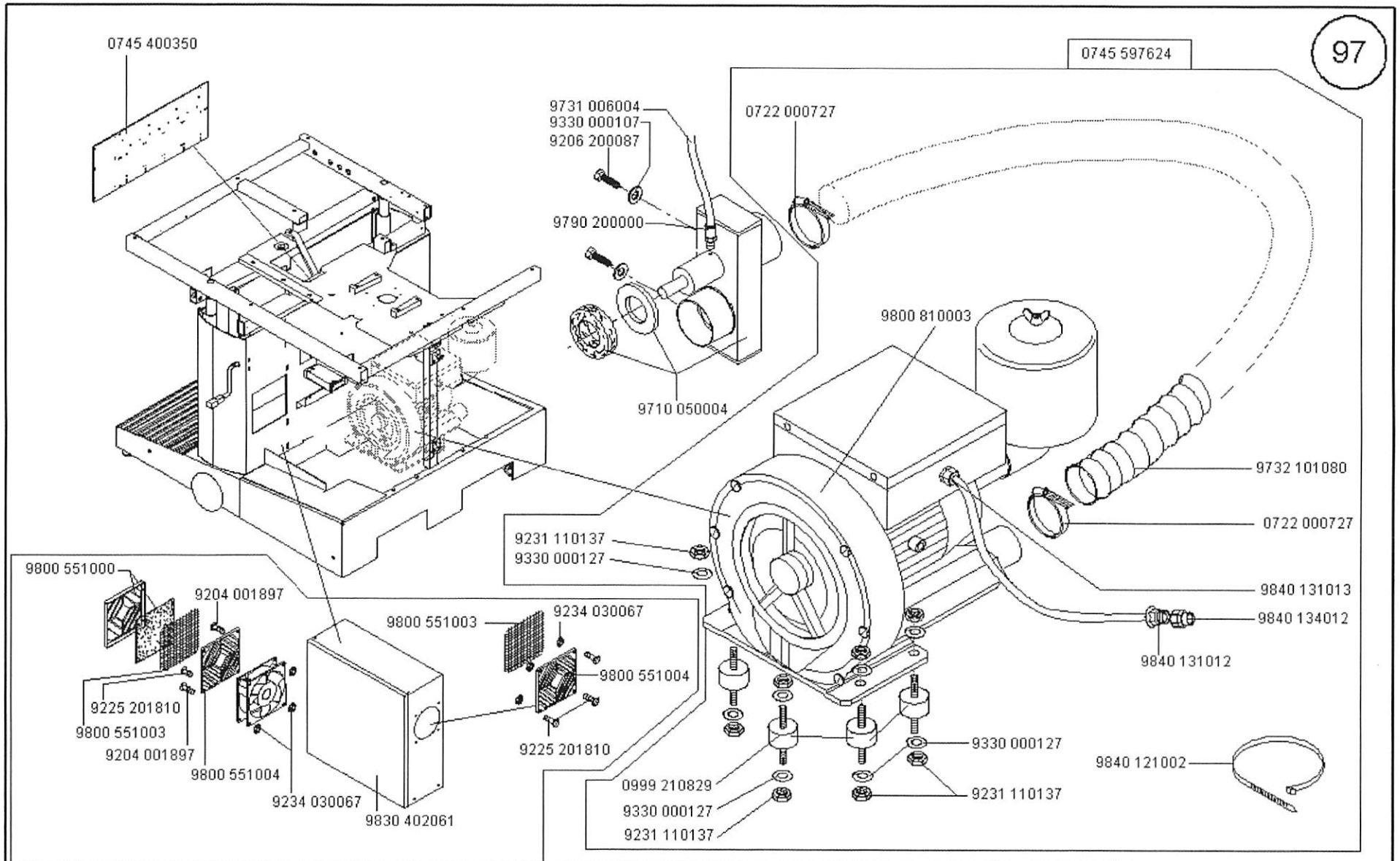
Scale 50 %

CI. 745-34

Ausgabe/Edition 02.2004

From the library of: Superior Sewing Machine & Supply LLC

From the library of: Superior Sewing Machine & Supply LLC



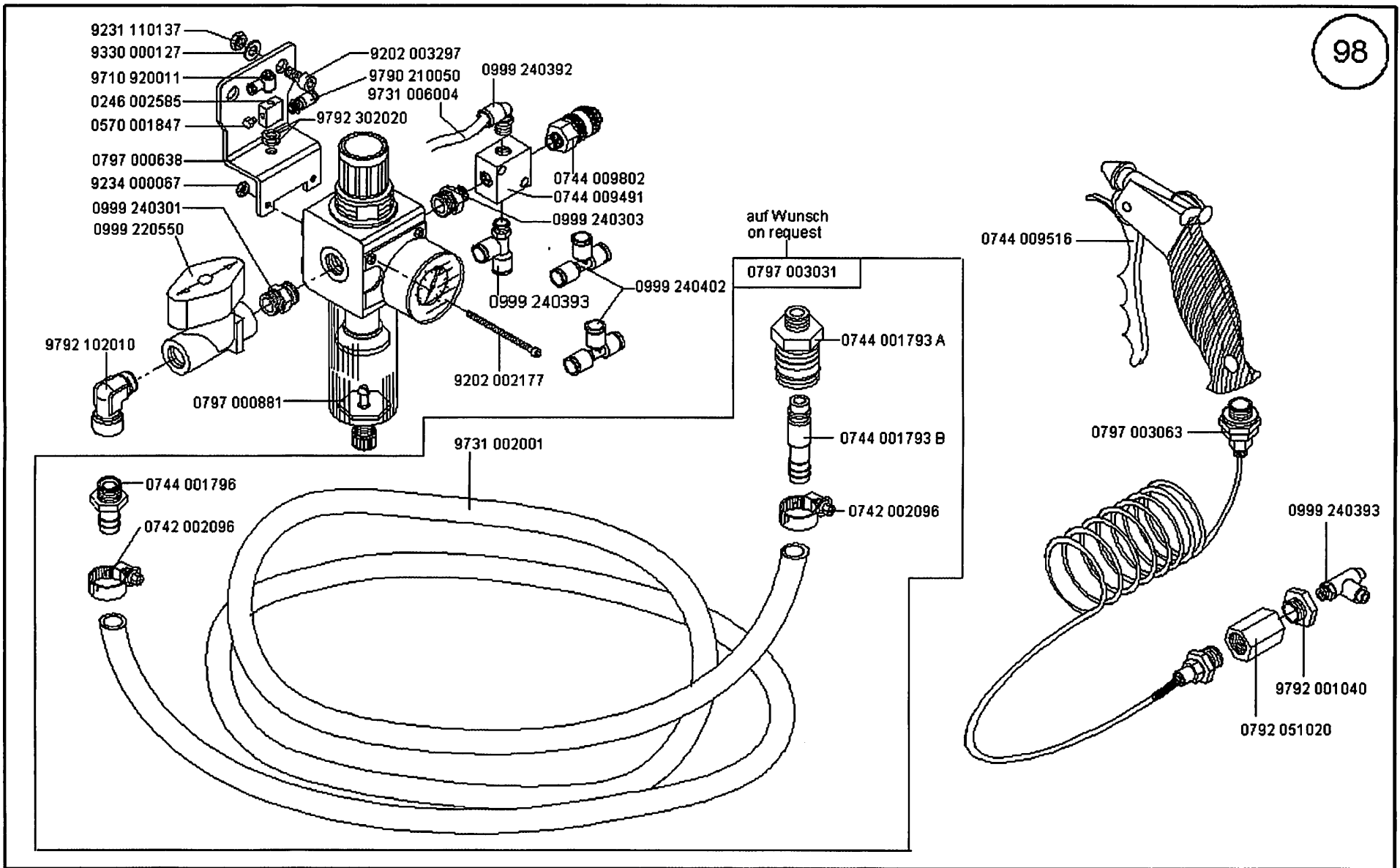
Scale 50 %

CI. 745-34

Ausgabe/Edition 02. 2004

From the library of: Superior Sewing Machine & Supply LLC

From the library of: Superior Sewing Machine & Supply LLC



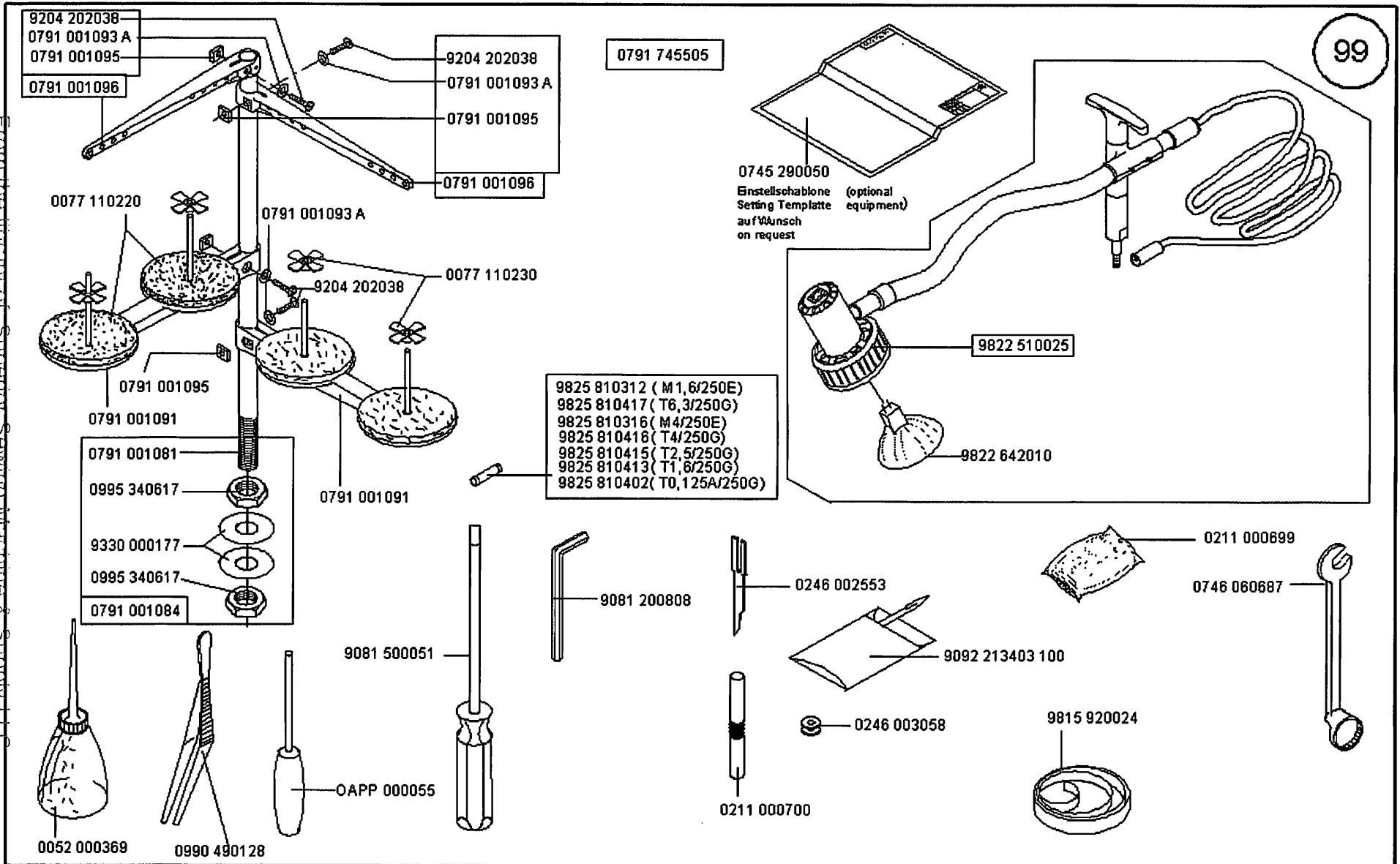
Scale 50 %

CI. 745-34

Ausgabe/Edition 02.2004

From the library of: Superior Sewing Machine & Supply LLC

From the library of: Superior Sewing Machine & Supply LLC



Scale 50 %

Cl. 745-34

Ausgabe/Edition 02.2004

| Teile-Nr./Part-no. | Tafel/Table | Teile-Nr./Part-no. | Tafel/Table | Teile-Nr./Part-no. | Tafel/Table | Teile-Nr./Part-no. | Tafel/Table | |
|--------------------|-------------|------------------------|-------------|--------------------|-------------|--------------------|-------------|------------------------|
| 0002 | 005889 0700 | 01 | | 0244 | 000685 | 09 | | |
| 0002 | 007106 2100 | 46 | | 0244 | 000686 | 09, 10 | 0246 000348 | 63, 64, 65, 66, 68, 69 |
| 0002 | 008930 0060 | 01 | | 0244 | 000688 | 09, 10 | 70 | |
| 0002 | 009022 7200 | 64, 65, 66, 67, 68, 72 | | 0244 | 000689 | 09, 10 | 0246 000545 | 03 |
| 0004 | 000079 | 04 | | 0244 | 000699 | 09, 10 | 0246 000546 | 03 |
| 0052 | 000369 | 99 | | 0244 | 000700 | 09, 10, 28, 37 | 0246 000548 | 03 |
| 0061 | 001050 | 04 | | 0244 | 000702 | 09, 10 | 0246 000610 | 01 |
| 0067 | 100050 | 28 | | 0244 | 000771 | 09, 10 | 0246 000621 | 01 |
| 0067 | 320150 | 84 | | 0244 | 000772 | 09 | 0246 000623 | 01 |
| 0067 | 351620 | 37, 38, 39 | | 0244 | 000773 | 09, 10 | 0246 000827 | 15 |
| 0077 | 110220 | 99 | | 0244 | 000784 | 09 | 0246 000924 | 11 |
| 0077 | 110230 | 99 | | 0244 | 000791 | 15 | 0246 000927 | 11 |
| 0147 | 000203 | 01, 42, 61 | | 0244 | 000795 | 15 | 0246 000930 | 11 |
| 0204 | 000787 | 34 | | 0244 | 000796 | 15 | 0246 000932 | 11 |
| 0204 | 001038 | 03 | | 0244 | 000796 | 15 | 0246 000936 | 11 |
| 0211 | 000025 | 09, 10 | | 0244 | 000808 | 15 | 0246 000941 | 11 |
| 0211 | 000027 | 09, 10 | | 0244 | 000831 | 14 | 0246 000942 | 11 |
| 0211 | 000085 | 10 | | 0244 | 000836 | 14 | 0246 000945 | 11 |
| 0211 | 000256 | 12 | | 0244 | 000968 | 09, 10 | 0246 000946 | 11 |
| 0211 | 000257 | 01 | | 0244 | 000970 | 09, 10 | 0246 000952 | 11 |
| 0211 | 000299 | 01, 95 | | 0244 | 000992 | 09, 10 | 0246 000955 | 11 |
| 0211 | 000305 B | 01 | | 0244 | 001023 | 09, 10 | 0246 000959 | 11 |
| 0211 | 000306 A | 01 | | 0244 | 001024 | 09, 10 | 0246 000960 | 11 |
| 0211 | 000307 B | 01 | | 0244 | 001026 | 09, 10 | 0246 002001 | 13 |
| 0211 | 000308 K | 01 | | 0244 | 001027 | 09, 10 | 0246 002002 | 13 |
| 0211 | 000317 MT | 01 | | 0244 | 001027 | 09, 10 | 0246 002006 | 12 |
| 0211 | 000331 | 01 | | 0244 | 001029 | 09, 10 | 0246 002006 | 12 |
| 0211 | 000351 B | 01 | | 0244 | 001038 | 09, 10 | 0246 002015 | 13 |
| 0211 | 000355 | 01 | | 0244 | 001086 | 14 | 0246 002016 | 13 |
| 0211 | 000398 | 02 | | 0244 | 014619 | 24 | 0246 002021 | 13 |
| 0211 | 000407 | 01 | | 0244 | 100130 | 10 | 0246 002022 | 13 |
| 0211 | 000408 | 02 | | 0246 | 000051 | 02 | 0246 002031 | 13 |
| 0211 | 000412 A | 02 | | 0246 | 000097 | 02 | 0246 002032 | 13 |
| 0211 | 000549 A | 12 | | 0246 | 000159 | 02 | 0246 002041 | 13 |
| 0211 | 000568 | 32 | | 0246 | 000167 | 02 | 0246 002042 | 13 |
| 0211 | 000634 | 09, 10 | | 0246 | 000169 | 02 | 0246 002401 | 13 |
| 0211 | 000646 A | 09, 10 | | 0246 | 000174 | 02 | 0246 002402 | 13 |
| 0211 | 000699 | 99 | | 0246 | 000176 | 02 | 0246 002403 | 12 |
| | | | | 0246 | 000218 | 02 | 0246 002408 | 13 |
| | | | | 0246 | 000344 | 67 | 0246 002409 | 13 |

From the library of: Superior Sewing Machine & Supply LLC

From the library of: Superior Sewing Machine & Supply LLC

| Teile-Nr./Part-no. | Tafel/Table | Teile-Nr./Part-no. | Tafel/Table | Teile-Nr./Part-no. | Tafel/Table | Teile-Nr./Part-no. | Tafel/Table |
|--------------------|--------------------------------------|--------------------|-------------|--------------------|------------------------|--------------------|----------------|
| 0246 002411 | 13 | 0246 100150 | 01 | 0246 490014 | 16 | 0380 000094 | 02 |
| 0246 002412 | 13 | 0246 100163 | 03 | 0246 497534 | 14 | 0380 000095 | 02 |
| 0246 002414 | 13 | 0246 100168 | 03 | 0264 000937 | 11 | 0380 000096 | 02 |
| 0246 002415 | 13 | 0246 100190 | 01 | 0265 000173 | 63, 64, 65, 66, 67, 68 | 0380 000097 | 02 |
| 0246 002421 | 13 | 0246 100203 | 05 | | 72, 73 | 0380 000101 | 02 |
| 0246 002422 | 13 | 0246 100213 | 04 | 0265 000887 | 09, 10 | 0380 000102 | 02 |
| 0246 002502 A | 01 | 0246 100240 | 05 | 0265 005253 | 04 | 0380 000103 | 02 |
| 0246 002533 | 02 | 0246 100270 | 20, 26 | 0265 008555 | 34 | 0380 000104 | 02 |
| 0246 002553 | 03, 99 | 0246 100283 | 01 | 0265 008566 | 03 | 0380 000105 | 02 |
| 0246 002566 | 20, 64, 65, 66, 67, 68 71, 72, 74 | 0246 100290 | 20, 26 | 0271 000054 | 01 | 0380 000106 | 02 |
| | | 0246 100304 | 05 | 0271 000169 | 69 | 0380 000108 | 02 |
| 0246 002576 | 20 | 0246 100310 | 06 | 0271 000238 | 04 | 0380 000110 | 02 |
| 0246 002585 | 98 | 0246 100320 | 06 | 0271 000260 | 37 | 0380 000112 | 02 |
| 0246 002706 | 12 | 0246 100330 | 06 | 0271 000262 | 37 | 0380 000117 | 02 |
| 0246 002751 | 12 | 0246 100353 | 03 | 0271 000275 | 37 | 0380 000119 | 02 |
| 0246 002752 | 12 | 0246 100363 | 03 | 0271 000298 | 28, 44 | 0380 000120 | 02 |
| 0246 002754 | 12 | 0246 100410 | 06 | 0271 000474 | 09, 10 | 0380 000121 | 02 |
| 0246 002756 | 13 | 0246 100423 | 06 | 0271 000756 | 28, 37, 43 | 0380 000122 | 02 |
| 0246 002758 | 13 | 0246 120013 | 02 | 0271 001391 | 37 | 0380 000241 | 05 |
| 0246 002759 | 13 | 0246 127514 | 02 | 0271 001392 | 37 | 0380 000793 | 12 |
| 0246 002760 | 13 | 0246 140010 | 05 | 0271 001397 | 04, 37 | 0381 100150 | 36 |
| 0246 002762 | 13 | 0246 350010 | 07 | 0271 001398 | 37 | 0381 100160 | 01 |
| 0246 002764 | 12 | 0246 350020 | 08 | 0271 001415 | 15 | 0381 110070 | 05 |
| 0246 002766 | 12 | 0246 350030 | 08 | 0271 150100 | 01 | 0381 110150 | 22 |
| 0246 003005 | 09 | 0246 350040 | 08 | 0271 150104 | 01 | 0381 110200 | 05 |
| 0246 003006 | 10 | 0246 350050 | 07 | 0272 070019 | 01 | 0381 120120 | 02 |
| 0246 003042 | 09, 10 | 0246 350060 | 08 | 0273 000163 | 03 | 0381 120130 | 02 |
| 0246 003058 | 10, 99 | 0246 350070 | 08 | 0273 000324 | 32 | 0381 160090 | 45, 55 |
| 0246 004069 | 20 | 0246 350080 | 08 | 0275 310080 | 03 | 0396 160330 | 76, 78, 80, 82 |
| 0246 004111 | 04 | 0246 350090 | 08 | 0275 310570 | 40 | 0396 170080 | 18, 25 |
| 0246 100033 | 05 | 0246 350100 | 08 | 0291 000960 | 44 | 0420 000013 | 01 |
| 0246 100043 | 05 | 0246 350110 | 08 | 0291 002367 | 28 | 0420 000246 | 20, 26 |
| 0246 100070 | 05 | 0246 350120 | 08 | 0367 310820 | 27 | 0420 000324 | 11, 71, 74 |
| 0246 100080 | 03 | 0246 350130 | 08 | 0367 310830 | 27 | 0420 000368 | 91 |
| 0246 100090 | 03 | 0246 350140 | 08 | 0367 310850 | 27 | 0422 000297 | 01 |
| 0246 100103 | 03 | 0246 437534 | 07 | 0380 000077 | 02 | 0491 000939 | 36 |
| 0246 100120 | 05 | 0246 437544 | 01 | 0380 000086 | 02 | 0491 000961 | 04 |
| 0246 100130 | 05 | 0246 437574 | 11 | 0380 000093 | 02 | 0491 012042 | 09, 10 |

From the library of: Superior Sewing Machine & Supply LLC

From the library of: Superior Sewing Machine & Supply LLC

| Teile-Nr./Part-no. | Tafel/Table | Teile-Nr./Part-no. | Tafel/Table | Teile-Nr./Part-no. | Tafel/Table | Teile-Nr./Part-no. | Tafel/Table |
|--------------------|-------------|------------------------|-------------|--------------------|-------------|------------------------|-------------|
| 0531 | 000732 | 44 | | 0699 | 979265 | 28, 62, 63, 64, 65, 66 | |
| 0551 | 003254 | 87 | | | | 67, 68, 75 | |
| 0556 | 000669 | 03 | | 0700 | 000043 | 94 | |
| 0556 | 000895 | 44 | | 0700 | 000044 | 94 | |
| 0556 | 000898 | 28, 44 | | 0700 | 000045 | 94 | |
| 0556 | 001075 | 49 | | 0700 | 000050 | 94 | |
| 0556 | 001599 | 09, 10 | | 0700 | 074524 | 48 | |
| 0556 | 003087 | 15 | | 0700 | 074525 | 47 | |
| 0556 | 003088 | 15 | | 0700 | 074526 | 94 | |
| 0557 | 000353 | 54 | | 0702 | 000214 | 86, 89 | |
| 0557 | 000762 | 91 | | 0718 | 000099 | 20 | |
| 0558 | 000215 | 87, 88 | | 0718 | 000254 | 42 | |
| 0558 | 000491 | 55 | | 0718 | 011043 | 46 | |
| 0558 | 000790 | 87, 88, 89 | | 0718 | 011060 | 47, 48 | |
| 0558 | 001146 | 72 | | 0718 | 015236 | 44 | |
| 0558 | 001771 | 46 | | 0719 | 000124 | 50 | |
| 0558 | 010076 | 20 | | 0722 | 000727 | 97 | |
| 0559 | 150120 | 08 | | 0725 | 000520 B | 47, 48 | |
| 0568 | 310100 | 28 | | 0739 | 000085 | 53 | |
| 0569 | 003612 | 20, 26 | | 0739 | 000163 | 47, 48 | |
| 0569 | 007010 | 72 | | 0739 | 000347 | 15 | |
| 0570 | 000117 | 55 | | 0739 | 000710 | 22 | |
| 0570 | 000562 | 18 | | 0739 | 005010 | 69, 70, 74 | |
| 0570 | 000563 | 27 | | 0739 | 005046 | 41 | |
| 0570 | 001847 | 29, 30, 98 | | 0741 | 000292 | 55 | |
| 0570 | 010373 | 63, 64, 65, 66, 67, 68 | | 0742 | 001475 | 49 | |
| | | 75 | | 0742 | 001917 A | 18 | |
| 0576 | 001146 | 43 | | 0742 | 002096 | 98 | |
| 0578 | 001493 | 32 | | 0742 | 003017 | 46 | |
| 0578 | 004828 | 20 | | 0742 | 003018 | 39, 46 | |
| 0579 | 490080 | 19, 23, 51 | | 0742 | 003040 | 39, 46 | |
| 0620 | 760092 | 15 | | 0742 | 003114 | 46 | |
| 0650 | 000072 | 14 | | 0742 | 003147 | 46 | |
| 0650 | 000336 | 46 | | 0742 | 003157 | 46 | |
| 0650 | 000371 | 42 | | 0742 | 006975 | 56 | |
| 0667 | 110080 | 04 | | 0742 | 006977 | 56 | |
| 0667 | 110380 | 04 | | 0742 | 007331 | 46 | |
| 0667 | 115353 | 04 | | 0742 | 055716 | 05 | |
| | | | | 0744 | 001017 | 50 | |
| | | | | 0744 | 001115 | 15 | |
| | | | | 0744 | 001131 | 46, 50 | |
| | | | | 0744 | 001339 | 50 | |
| | | | | 0744 | 001426 | 50, 52 | |
| | | | | 0744 | 001749 | 20, 22 | |
| | | | | 0744 | 001793 A | 98 | |
| | | | | 0744 | 001793 B | 98 | |
| | | | | 0744 | 001796 | 98 | |
| | | | | 0744 | 009491 | 98 | |
| | | | | 0744 | 009516 | 98 | |
| | | | | 0744 | 009802 | 98 | |
| | | | | 0744 | 022392 | 22, 55 | |
| | | | | 0744 | 022393 | 22 | |
| | | | | 0745 | 003275 | 46 | |
| | | | | 0745 | 170013 | 37 | |
| | | | | 0745 | 170030 | 37 | |
| | | | | 0745 | 170040 | 37 | |
| | | | | 0745 | 170050 | 37 | |
| | | | | 0745 | 170060 | 37 | |
| | | | | 0745 | 177514 | 37 | |
| | | | | 0745 | 200103 | 13 | |
| | | | | 0745 | 200104 | 13 | |
| | | | | 0745 | 200123 | 13 | |
| | | | | 0745 | 200124 | 13 | |
| | | | | 0745 | 200143 | 13 | |
| | | | | 0745 | 200144 | 13 | |
| | | | | 0745 | 200163 | 13 | |
| | | | | 0745 | 200164 | 13 | |
| | | | | 0745 | 200203 | 13 | |
| | | | | 0745 | 200204 | 13 | |
| | | | | 0745 | 200300 | 12 | |
| | | | | 0745 | 290050 | 99 | |
| | | | | 0745 | 330010 | 35 | |
| | | | | 0745 | 330020 | 35 | |
| | | | | 0745 | 330030 | 35 | |
| | | | | 0745 | 330040 | 35, 94 | |
| | | | | 0745 | 330050 | 35, 94 | |
| | | | | 0745 | 330070 | 34 | |
| | | | | 0745 | 330090 | 34 | |
| | | | | 0745 | 330100 | 34 | |
| | | | | 0745 | 330110 | 34 | |
| | | | | 0745 | 330140 | 35 | |
| | | | | 0745 | 330150 | 35 | |
| | | | | 0745 | 330180 | 34 | |
| | | | | 0745 | 330190 | 34 | |
| | | | | 0745 | 330200 | 34 | |
| | | | | 0745 | 330210 | 34 | |
| | | | | 0745 | 330220 | 34 | |
| | | | | 0745 | 330230 | 34 | |
| | | | | 0745 | 330240 | 34 | |
| | | | | 0745 | 330250 | 34 | |
| | | | | 0745 | 330270 | 34 | |
| | | | | 0745 | 330280 | 34 | |
| | | | | 0745 | 330290 | 34 | |
| | | | | 0745 | 330303 | 34 | |
| | | | | 0745 | 330313 | 34 | |
| | | | | 0745 | 330334 | 06 | |
| | | | | 0745 | 330400 | 62 | |
| | | | | 0745 | 330410 | 62 | |
| | | | | 0745 | 330420 | 62 | |
| | | | | 0745 | 330430 | 62 | |
| | | | | 0745 | 330440 | 62 | |
| | | | | 0745 | 330450 | 62 | |
| | | | | 0745 | 330460 | 62 | |
| | | | | 0745 | 330470 | 62 | |
| | | | | 0745 | 330480 | 62 | |
| | | | | 0745 | 330493 | 62 | |
| | | | | 0745 | 330503 | 62 | |
| | | | | 0745 | 330510 | 62 | |
| | | | | 0745 | 330520 | 61 | |
| | | | | 0745 | 330530 | 61 | |
| | | | | 0745 | 330540 | 61 | |
| | | | | 0745 | 330553 | 61 | |
| | | | | 0745 | 330560 | 61 | |
| | | | | 0745 | 330570 | 61 | |

From the library of: Superior Sewing Machine & Supply LLC

From the library of: Superior Sewing Machine & Supply LLC

| Teile-Nr./Part-no. | Tafel/Table | Teile-Nr./Part-no. | Tafel/Table | Teile-Nr./Part-no. | Tafel/Table | Teile-Nr./Part-no. | Tafel/Table |
|--------------------|-------------|--------------------|-------------|--------------------|-------------|--------------------|-------------|
| 0745 330580 | 61 | 0745 400880 | 38, 39 | 0745 510100 | 18, 25 | 0745 510710 | 29, 30 |
| 0745 330600 | 62 | 0745 400883 | 38, 39 | 0745 510110 | 18, 25 | 0745 510720 | 29, 30 |
| 0745 330610 | 61 | 0745 400920 | 93 | 0745 510130 | 18 | 0745 510740 | 20, 26 |
| 0745 330620 | 61 | 0745 400930 | 42 | 0745 510140 | 17 | 0745 510750 | 26 |
| 0745 330630 | 61 | 0745 400970 | 94 | 0745 510150 | 19 | 0745 511040 | 28 |
| 0745 330640 | 61 | 0745 400980 | 94 | 0745 510163 | 17 | 0745 511050 | 27 |
| 0745 330650 | 61 | 0745 401000 | 38, 39 | 0745 510190 | 17 | 0745 511060 | 27 |
| 0745 330660 | 62 | 0745 401030 | 93 | 0745 510200 | 17 | 0745 511070 | 27 |
| 0745 330670 | 62 | 0745 401040 | 94 | 0745 510220 | 18 | 0745 511080 | 29 |
| 0745 330680 | 62 | 0745 401053 | 39 | 0745 510230 | 18 | 0745 511090 | 30 |
| 0745 330690 | 62 | 0745 401060 | 39 | 0745 510250 | 19, 23 | 0745 511100 | 28 |
| 0745 330700 | 61 | 0745 401080 | 19, 23 | 0745 510290 | 19, 23 | 0745 511110 | 28 |
| 0745 337524 | 34, 35 | 0745 401090 | 93 | 0745 510300 | 18 | 0745 511120 | 28 |
| 0745 337534 | 34, 35 | 0745 401100 | 93 | 0745 510320 | 18 | 0745 511130 | 28 |
| 0745 337554 | 61, 62 | 0745 401110 | 94 | 0745 510330 | 18 | 0745 511140 | 28 |
| 0745 339100 | 13 | 0745 401130 | 38 | 0745 510360 | 20 | 0745 511150 | 27 |
| 0745 339110 | 13 | 0745 401153 | 95 | 0745 510370 | 26 | 0745 511160 | 27 |
| 0745 339120 | 13 | 0745 401163 | 95 | 0745 510410 | 21, 26 | 0745 511170 | 44 |
| 0745 339130 | 13 | 0745 401170 | 95 | 0745 510440 | 20 | 0745 511180 | 44 |
| 0745 339140 | 13 | 0745 401180 | 95 | 0745 510450 | 20, 26 | 0745 511213 | 28 |
| 0745 339150 | 13 | 0745 401193 | 95 | 0745 510460 | 21 | 0745 511240 | 28 |
| 0745 339160 | 13 | 0745 401200 | 95 | 0745 510470 | 22, 54 | 0745 511250 | 28 |
| 0745 339170 | 13 | 0745 401210 | 95 | 0745 510500 | 20 | 0745 511260 | 28 |
| 0745 339200 | 13 | 0745 401220 | 95 | 0745 510513 | 20 | 0745 511280 | 29 |
| 0745 339210 | 13 | 0745 401243 | 19, 23 | 0745 510520 | 20 | 0745 511290 | 30 |
| 0745 400054 | 94 | 0745 401250 | 19, 23 | 0745 510533 | 20 | 0745 511300 | 29 |
| 0745 400133 | 94 | 0745 401260 | 19, 23 | 0745 510553 | 20 | 0745 511310 | 30 |
| 0745 400140 | 94 | 0745 401273 | 19, 23 | 0745 510560 | 20 | 0745 511340 | 26 |
| 0745 400150 | 94 | 0745 401723 | 94 | 0745 510570 | 20 | 0745 511350 | 28 |
| 0745 400160 | 94 | 0745 401870 | 94 | 0745 510580 | 21 | 0745 511390 | 27 |
| 0745 400350 | 97 | 0745 407564 | 94 | 0745 510590 | 20 | 0745 511440 | 28 |
| 0745 400653 | 94 | 0745 407654 | 36 | 0745 510603 | 22 | 0745 511470 | 52 |
| 0745 400730 | 38, 39 | 0745 407674 | 94 | 0745 510610 | 22 | 0745 511483 | 28 |
| 0745 400750 | 39 | 0745 410010 | 56 | 0745 510640 | 21 | 0745 511493 | 28 |
| 0745 400803 | 94 | 0745 510030 | 19 | 0745 510650 | 21 | 0745 511500 | 43 |
| 0745 400810 | 38, 39 | 0745 510060 | 18 | 0745 510660 | 21 | 0745 511520 | 43 |
| 0745 400840 | 39 | 0745 510080 | 18 | 0745 510670 | 21 | 0745 511530 | 43 |
| 0745 400873 | 38 | 0745 510090 | 18, 25 | 0745 510680 | 22 | 0745 511543 | 43 |

From the library of: Superior Sewing Machine & Supply LLC

From the library of: Superior Sewing Machine & Supply LLC

| Teile-Nr./Part-no. | Tafel/Table | Teile-Nr./Part-no. | Tafel/Table | Teile-Nr./Part-no. | Tafel/Table | Teile-Nr./Part-no. | Tafel/Table |
|--------------------|-------------|--------------------|------------------------|--------------------|-------------|--------------------|----------------|
| 0745 511553 | 43 | 0745 512190 | 19 | 0745 541164 | 86, 89 | 0745 542220 | 81 |
| 0745 511560 | 43 | 0745 512220 | 44 | 0745 541174 | 86, 89 | 0745 542230 | 81 |
| 0745 511573 | 43 | 0745 512230 | 44 | 0745 541184 | 86 | 0745 542240 | 81 |
| 0745 511583 | 44 | 0745 512240 | 44 | 0745 541194 | 86 | 0745 542280 | 85 |
| 0745 511590 | 44 | 0745 512253 | 24 | 0745 541200 | 87, 90 | 0745 542300 | 76 |
| 0745 511600 | 44 | 0745 512260 | 25 | 0745 541230 | 87 | 0745 542310 | 78, 80, 82 |
| 0745 511610 | 44 | 0745 512270 | 24 | 0745 541240 | 87, 90 | 0745 542322 | 80 |
| 0745 511620 | 44 | 0745 512283 | 24 | 0745 541260 | 87 | 0745 542332 | 82 |
| 0745 511670 | 44 | 0745 512290 | 24 | 0745 541300 | 87 | 0745 542343 | 76, 78, 82 |
| 0745 511680 | 22, 27 | 0745 512300 | 24 | 0745 541310 | 87 | 0745 542353 | 76, 78, 82 |
| 0745 511700 | 43 | 0745 512310 | 25 | 0745 541320 | 87 | 0745 542363 | 76, 78, 80 |
| 0745 511713 | 28 | 0745 512320 | 24 | 0745 541330 | 87 | 0745 542373 | 76, 78, 80 |
| 0745 511723 | 28 | 0745 512330 | 24 | 0745 541400 | 87 | 0745 542383 | 80 |
| 0745 511733 | 20, 26 | 0745 512340 | 25 | 0745 541410 | 88 | 0745 542403 | 82 |
| 0745 511740 | 27, 53 | 0745 512350 | 23 | 0745 541420 | 88 | 0745 542460 | 76, 78, 80, 82 |
| 0745 511753 | 17, 43, 44 | 0745 512390 | 24 | 0745 541430 | 88 | 0745 542470 | 76, 78, 80, 82 |
| 0745 511760 | 57 | 0745 512400 | 23 | 0745 541440 | 88 | 0745 542480 | 76, 78, 80, 82 |
| 0745 511830 | 18 | 0745 517514 | 17, 18, 19 | 0745 541500 | 88 | 0745 542490 | 76, 78, 80, 82 |
| 0745 511840 | 86, 89 | 0745 517584 | 43, 44 | 0745 541510 | 88 | 0745 542500 | 76, 78, 80, 82 |
| 0745 511850 | 86 | 0745 517594 | 27, 28, 29, 30 | 0745 541520 | 88 | 0745 542510 | 76, 78, 80, 82 |
| 0745 511870 | 44 | 0745 517634 | 20, 21, 22 | 0745 541530 | 88 | 0745 542520 | 76, 78, 80, 82 |
| 0745 511880 | 44 | 0745 517664 | 23, 24, 25, 26 | 0745 541540 | 88 | 0745 542530 | 76, 78, 80, 82 |
| 0745 511890 | 18 | 0745 540273 | 63, 65 | 0745 542000 | 77 | 0745 542560 | 58 |
| 0745 511910 | 44 | 0745 540283 | 64, 66, 73 | 0745 542010 | 77 | 0745 542700 | 85 |
| 0745 511920 | 91 | 0745 540450 | 63, 64, 65, 66, 67, 68 | 0745 542020 | 77 | 0745 542710 | 85 |
| 0745 511960 | 20, 26 | | 75 | 0745 542030 | 77 | 0745 542720 | 85 |
| 0745 512030 | 19, 23 | 0745 540783 | 63, 64, 65, 66, 67, 68 | 0745 542100 | 79 | 0745 542730 | 85 |
| 0745 512040 | 58 | | 69, 70, 72, 73, 74 | 0745 542110 | 79 | 0745 542740 | 85 |
| 0745 512050 | 59 | 0745 540793 | 67, 68 | 0745 542120 | 79 | 0745 542750 | 85 |
| 0745 512060 | 60 | 0745 540804 | 89 | 0745 542130 | 79 | 0745 542760 | 85 |
| 0745 512070 | 59 | 0745 540814 | 89 | 0745 542140 | 79 | 0745 542770 | 85 |
| 0745 512080 | 60 | 0745 540840 | 90 | 0745 542150 | 83 | 0745 542780 | 85 |
| 0745 512090 | 59, 60 | 0745 540920 | 89 | 0745 542160 | 83 | 0745 542790 | 85 |
| 0745 512100 | 59 | 0745 541040 | 63, 64, 65, 66, 75 | 0745 542170 | 83 | 0745 542790 | 85 |
| 0745 512110 | 60 | 0745 541100 | 87 | 0745 542180 | 83 | 0745 542810 | 85 |
| 0745 512150 | 58 | 0745 541120 | 87 | 0745 542190 | 83 | 0745 542820 | 85 |
| 0745 512160 | 59 | 0745 541130 | 87, 90 | 0745 542200 | 81 | 0745 542830 | 85 |
| 0745 512170 | 60 | 0745 541150 | 87, 90 | 0745 542210 | 81 | 0745 542840 | 85 |
| | | | | | | 0745 542900 | 84 |

From the library of: Superior Sewing Machine & Supply LLC

From the library of: Superior Sewing Machine & Supply LLC

| Teile-Nr./Part-no. | Tafel/Table | Teile-Nr./Part-no. | Tafel/Table | Teile-Nr./Part-no. | Tafel/Table | Teile-Nr./Part-no. | Tafel/Table |
|--------------------|--------------------|--------------------|-------------|--------------------|-------------|--------------------|-------------|
| 0745 542910 | 84 | 0745 548004 | 77 | 0745 560040 | 32 | 0745 590450 | 46 |
| 0745 542920 | 84 | 0745 548014 | 77 | 0745 560060 | 32 | 0745 590460 | 47, 48 |
| 0745 542933 | 85 | 0745 548054 | 79 | 0745 560070 | 32, 35 | 0745 590470 | 56 |
| 0745 542943 | 85 | 0745 548064 | 79 | 0745 560080 | 33 | 0745 590480 | 48 |
| 0745 542973 | 85 | 0745 548074 | 79 | 0745 560090 | 33 | 0745 590490 | 47, 48 |
| 0745 543000 | 85 | 0745 548084 | 79 | 0745 560110 | 33 | 0745 590500 | 51 |
| 0745 543010 | 85 | 0745 548094 | 79 | 0745 560120 | 33 | 0745 590510 | 45 |
| 0745 543020 | 85 | 0745 548104 | 83 | 0745 560130 | 33 | 0745 590530 | 45 |
| 0745 543030 | 85 | 0745 548114 | 83 | 0745 560140 | 32 | 0745 590540 | 45 |
| 0745 543040 | 85 | 0745 548124 | 83 | 0745 560150 | 32 | 0745 590550 | 45 |
| 0745 543050 | 85 | 0745 548134 | 83 | 0745 560160 | 32 | 0745 590560 | 45 |
| 0745 543060 | 85 | 0745 548144 | 83 | 0745 560170 | 32 | 0745 590580 | 55 |
| 0745 543070 | 85 | 0745 548154 | 81 | 0745 560183 | 31 | 0745 590590 | 55 |
| 0745 543080 | 85 | 0745 548164 | 81 | 0745 560290 | 31 | 0745 590700 | 52 |
| 0745 543090 | 85 | 0745 548174 | 81 | 0745 560300 | 96 | 0745 590710 | 52 |
| 0745 543100 | 84 | 0745 548184 | 81 | 0745 560310 | 96 | 0745 590720 | 52 |
| 0745 543110 | 84 | 0745 548194 | 81 | 0745 560320 | 96 | 0745 590730 | 52 |
| 0745 543120 | 84 | 0745 548204 | 85 | 0745 560333 | 33 | 0745 590740 | 52 |
| 0745 543130 | 84 | 0745 548214 | 85 | 0745 560590 | 31, 94 | 0745 590750 | 40 |
| 0745 543200 | 58 | 0745 548224 | 85 | 0745 560600 | 32 | 0745 590760 | 55 |
| 0745 543210 | 58 | 0745 548234 | 85 | 0745 560614 | 32 | 0745 590790 | 55 |
| 0745 544003 | 64, 66, 70 | 0745 548244 | 85 | 0745 560623 | 33 | 0745 590800 | 55 |
| 0745 544013 | 63, 65, 69 | 0745 548254 | 85 | 0745 560630 | 32 | 0745 590810 | 56 |
| 0745 544023 | 68 | 0745 548264 | 85 | 0745 560640 | 32 | 0745 590823 | 56 |
| 0745 544033 | 67 | 0745 548274 | 85 | 0745 560664 | 32 | 0745 590830 | 56 |
| 0745 544040 | 67, 68 | 0745 548284 | 85 | 0745 560910 | 33 | 0745 590840 | 36 |
| 0745 544050 | 59, 60 | 0745 548294 | 85 | 0745 590040 | 45 | 0745 590850 | 48 |
| 0745 544053 | 64, 66 | 0745 548304 | 85 | 0745 590060 | 45 | 0745 590900 | 41 |
| 0745 544063 | 65 | 0745 548314 | 85 | 0745 590070 | 45, 51 | 0745 590910 | 41 |
| 0745 544073 | 67, 68 | 0745 548324 | 85 | 0745 590080 | 45 | 0745 590920 | 41 |
| 0745 544080 | 70, 73 | 0745 548334 | 85 | 0745 590130 | 40 | 0745 590930 | 41 |
| 0745 544090 | 63, 69 | 0745 548344 | 85 | 0745 590160 | 54 | 0745 590940 | 41 |
| 0745 544100 | 64, 66, 68, 71, 74 | 0745 548354 | 85 | 0745 590170 | 54 | 0745 590973 | 41 |
| 0745 544110 | 65, 67, 71 | 0745 548364 | 85 | 0745 590203 | 54 | 0745 590980 | 41 |
| 0745 547754 | 90 | 0745 548374 | 84 | 0745 590210 | 54 | 0745 590993 | 41 |
| 0745 547764 | 90 | 0745 560010 | 31 | 0745 590270 | 54 | 0745 591003 | 41 |
| 0745 547774 | 90 | 0745 560020 | 31, 33 | 0745 590320 | 40 | 0745 591013 | 41 |
| 0745 547784 | 90 | 0745 560030 | 31 | 0745 590350 | 54 | 0745 591020 | 41 |

From the library of: Superior Sewing Machine & Supply LLC

From the library of: Superior Sewing Machine & Supply LLC

| Teile-Nr./Part-no. | Tafel/Table | Teile-Nr./Part-no. | Tafel/Table | Teile-Nr./Part-no. | Tafel/Table | Teile-Nr./Part-no. | Tafel/Table |
|--------------------|-------------|--------------------|------------------------|--------------------|------------------------|--------------------|------------------------|
| 0745 591043 | 36 | 0745 597664 | 40, 41 | 0746 040098 | 64, 65, 66, 67, 68, 71 | 0792 005994 | 87, 88, 90 |
| 0745 591053 | 36 | 0745 597674 | 47 | | 72, 74 | 0792 006052 | 28 |
| 0745 591060 | 36 | 0745 597684 | 48 | 0746 040119 | 64, 65, 66, 67, 68, 71 | 0792 006080 | 28 |
| 0745 591070 | 36 | 0745 597694 | 46 | | 72, 74 | 0792 006088 | 28 |
| 0745 591083 | 41 | 0745 597764 | 59 | 0746 040202 | 68 | 0792 008010 | 74 |
| 0745 591100 | 36 | 0745 597774 | 60 | 0746 040203 | 68 | 0792 008052 | 63, 64, 65, 66, 67, 68 |
| 0745 591123 | 40 | 0745 597784 | 59 | 0746 040221 | 65, 67, 71, 72 | | 73 |
| 0745 591133 | 40 | 0745 597794 | 60 | 0746 040223 | 72 | 0792 008055 | 63, 73 |
| 0745 591140 | 40 | 0745 597874 | 57, 58 | 0746 040227 | 72 | 0792 008063 | 63, 65, 67 |
| 0745 591150 | 36 | 0745 597884 | 75 | 0746 040310 | 66 | 0792 008065 | 73, 74 |
| 0745 591173 | 40 | 0745 597904 | 40, 41 | 0746 040325 | 64, 66, 68, 71, 74 | 0792 008066 | 63, 64, 65, 66, 67, 68 |
| 0745 591190 | 36 | 0746 001544 | 28 | 0746 040338 | 64 | | 69, 70, 72, 73, 74 |
| 0745 591200 | 36 | 0746 002208 | 72 | 0746 040351 | 74 | 0792 008067 | 63, 64, 65, 66, 67, 68 |
| 0745 591210 | 36 | 0746 005425 | 15 | 0746 040353 | 74 | | 69, 70, 72, 73 |
| 0745 591220 | 40 | 0746 011053 | 47 | 0746 040354 | 74 | 0792 008091 | 63 |
| 0745 591230 | 41 | 0746 011055 | 46 | 0746 040419 | 67, 68, 72 | 0792 008163 | 64, 66, 68, 73 |
| 0745 591240 | 41 | 0746 011056 | 47, 48 | 0746 040505 | 72 | 0792 008225 | 64, 65, 66 |
| 0745 591250 | 41 | 0746 011056 A | 47, 48 | 0746 040511 | 21, 72 | 0792 008321 | 64 |
| 0745 591283 | 41 | 0746 012897 | 62 | 0746 040513 | 72 | 0792 008327 | 64 |
| 0745 591293 | 41 | 0746 040006 | 74 | 0746 040523 | 21, 72 | 0792 008329 | 64 |
| 0745 591300 | 41 | 0746 040014 | 63, 64, 65, 66, 67, 68 | 0746 040527 | 21, 72 | 0792 008334 | 64 |
| 0745 591313 | 36 | | 69, 70 | 0746 040528 | 72 | 0792 008803 | 72 |
| 0745 591320 | 41 | 0746 040018 | 63, 64, 65, 66, 67, 68 | 0746 040530 | 72 | 0792 008834 | 67, 68, 72 |
| 0745 591360 | 53 | | 69, 70 | 0746 040645 | 64, 65, 66 | 0792 008835 | 72 |
| 0745 591373 | 52 | 0746 040021 | 63, 64, 65, 66, 67, 68 | 0746 050563 | 43 | 0792 008838 | 72 |
| 0745 591383 | 52 | | 69, 70 | 0746 060651 | 28 | 0792 008842 | 72 |
| 0745 591393 | 54 | 0746 040027 | 74 | 0746 060687 | 99 | 0792 008844 | 72 |
| 0745 591510 | 42 | 0746 040062 | 67 | 0748 000294 | 01 | 0792 008847 | 72 |
| 0745 591520 | 42 | 0746 040063 | 67 | 0791 001081 | 99 | 0792 008853 | 73 |
| 0745 597514 | 52 | 0746 040066 | 67, 68 | 0791 001084 | 99 | 0792 008856 | 73 |
| 0745 597524 | 54 | 0746 040067 | 67, 68 | 0791 001091 | 99 | 0792 008931 | 67 |
| 0745 597534 | 51 | 0746 040074 | 27, 64, 65, 66, 67, 68 | 0791 001093 A | 64, 65, 66, 67, 68, 71 | 0792 009039 | 68 |
| 0745 597554 | 49, 50 | 0746 040075 | 65 0 | | 74, 99 | 0792 009206 | 72 |
| 0745 597594 | 45 | 746 040083 | 71, 74 | 0791 001095 | 99 | 0792 010003 | 63 |
| 0745 597604 | 51 | 0746 040085 | 71, 74 | 0791 001096 | 99 | 0792 010005 | 63, 65, 69 |
| 0745 597614 | 53 | 0746 040091 | 64, 65, 66, 68, 71, 72 | 0791 745505 | 99 | 0792 010021 | 63, 65, 67, 69 |
| 0745 597624 | 97 | | 74 | 0792 005054 | 35 | 0792 010023 | 63, 65, 69 |
| 0745 597654 | 55, 56 | 0746 040092 | 67, 71 | 0792 005944 | 20 | 0792 010026 | 63, 65, 69 |

From the library of: Superior Sewing Machine & Supply LLC

From the library of: Superior Sewing Machine & Supply LLC

| Teile-Nr./Part-no. | Tafel/Table | Teile-Nr./Part-no. | Tafel/Table | Teile-Nr./Part-no. | Tafel/Table | Teile-Nr./Part-no. | Tafel/Table |
|--------------------|----------------------------------|--------------------|-------------|--------------------|--------------------|--------------------|-------------|
| 0792 010027 | 63, 65, 69 | 0792 011161 | 71 | 0793 024044 | 91 | 0793 026753 | 87 |
| 0792 010053 | 63, 69 | 0792 011162 | 71 | 0793 024047 | 91 | 0793 026763 | 88 |
| 0792 010054 | 63, 69, 70 | 0792 011165 | 71 | 0793 024051 | 91 | 0793 026773 | 88 |
| 0792 010081 | 63, 64, 65, 66, 67, 68 69, 70 | 0792 011166 | 71 | 0793 024067 | 91 | 0793 026783 | 88 |
| 0792 010155 | 64, 66, 70 | 0792 011167 | 71, 74 | 0793 024068 | 91 | 0793 026793 | 88 |
| 0792 010171 | 64, 66, 68, 70 | 0792 011168 | 71, 74 | 0793 024072 | 91 | 0793 026803 | 88 |
| 0792 010203 | 70 | 0792 011171 | 71, 74 | 0793 024075 | 91 | 0793 026813 | 88 |
| 0792 010303 | 64 | 0792 011172 | 71, 74 | 0793 024078 | 91 | 0793 026823 | 88 |
| 0792 010311 | 64, 66 | 0792 011183 | 69 | 0793 024106 | 61, 62, 91 | 0793 026833 | 88 |
| 0792 010322 | 64, 66, 68, 71 | 0792 011195 | 69 | 0793 025006 | 19, 20, 23, 86, 89 | 0793 026843 | 88 |
| 0792 010331 | 64, 65, 66, 67, 68, 71 74 | 0792 011202 | 69, 70, 74 | 0793 025008 | 20, 87, 88, 90 | 0793 026883 | 88 |
| 0792 010352 | 64, 66, 74 | 0792 011213 | 70 | 0793 025866 | 86, 89 | 0793 026887 | 88 |
| 0792 010363 | 71 | 0792 011225 | 70, 74 | 0793 025894 | 86 | 0793 026888 | 88 |
| 0792 010364 | 64, 65, 66, 67, 68, 71 72 | 0792 011243 | 74 | 0793 026297 | 87, 88 | 0793 026893 | 88 |
| 0792 010372 | 64, 65, 66, 67, 68, 71 72, 74 | 0792 011245 | 74 | 0793 026301 | 86, 89 | 0793 026896 | 88 |
| 0792 010373 | 64, 65, 66, 67, 68, 71 | 0792 035252 | 32 | 0793 026306 | 86, 89 | 0793 026903 | 88 |
| 0792 010503 | 65 | 0792 051020 | 98 | 0793 026309 | 86, 89 | 0793 026906 | 88 |
| 0792 010511 | 65 | 0793 005994 | 88 | 0793 026311 | 86, 89 | 0793 027143 | 20, 26 |
| 0792 010522 | 65, 67, 71 | 0793 020249 | 19, 23 0 | 0793 026313 | 86, 89 | 0793 027202 | 57 |
| 0792 010552 | 65 | 793 021347 | 20 | 0793 026320 | 86, 89 | 0793 027203 | 57 |
| 0792 010653 | 66 | 0793 021350 | 20 | 0793 026403 | 87 | 0793 027208 | 57 |
| 0792 010711 | 74 | 0793 021363 | 21 | 0793 026423 | 87 | 0793 027211 | 57 |
| 0792 010903 | 67 | 0793 021372 | 21 | 0793 026437 | 87 | 0793 027214 | 57 |
| 0792 010905 | 67 | 0793 021373 | 21 | 0793 026447 | 87, 88 | 0793 027538 | 21, 22 |
| 0792 010916 | 67 | 0793 021422 | 19, 23 | 0793 026463 | 87 | 0793 027539 | 22 |
| 0792 010917 | 67 | 0793 021765 | 17, 20, 25 | 0793 026473 | 87 | 0793 027592 | 20 |
| 0792 010922 | 67 | 0793 022011 | 17, 43 | 0793 026483 | 87 | 0793 027701 | 91 |
| 0792 010952 | 67 | 0793 022012 | 17, 43 | 0793 026503 | 87 | 0793 027702 | 91 |
| 0792 011003 | 68 | 0793 022086 | 33, 49 | 0793 026513 | 87 | 0793 027703 | 91 |
| 0792 011005 | 68 | 0793 022087 | 33, 49 | 0793 026523 | 87 | 0793 027704 | 91 |
| 0792 011016 | 68 | 0793 024001 | 91 | 0793 026552 | 44, 75 | 0793 027706 | 91 |
| 0792 011017 | 68 | 0793 024021 | 91 | 0793 026553 | 75 | 0793 050352 | 18, 25 |
| 0792 011022 | 68 | 0793 024022 | 91 | 0793 026697 | 88 | 0793 066780 | 61 |
| 0792 011052 | 68 | 0793 024025 | 91 | 0793 026703 | 88 | 0793 071868 | 28 |
| | | 0793 024028 | 91 | 0793 026713 | 87 | 0794 000813 | 93 |
| | | 0793 024031 | 91 | 0793 026723 | 87 | 0794 002053 | 14 |
| | | 0793 024032 | 91 | 0793 026733 | 87 | 0794 002056 | 14 |
| | | 0793 024038 | 91 | 0793 026743 | 87 | 0794 002168 | 47, 48 |

From the library of: Superior Sewing Machine & Supply LLC

From the library of: Superior Sewing Machine & Supply LLC

| Teile-Nr./Part-no. | Tafel/Table | Teile-Nr./Part-no. | Tafel/Table | Teile-Nr./Part-no. | Tafel/Table | Teile-Nr./Part-no. | Tafel/Table |
|--------------------|-------------|------------------------|-------------|--------------------|-------------|--------------------|-------------|
| 0794 | 002211 | 46 | | 0935 | 490054 | 16 | |
| 0794 | 002213 | 46 | | 0935 | 490140 | 16 | |
| 0794 | 002241 | 46 | | 0935 | 745210 | 09, 10 | |
| 0794 | 002243 | 46 | | 0942 | 004576 | 42 | |
| 0794 | 002932 | 42 | | 0942 | 004614 | 42 | |
| 0794 | 003773 | 22 | | 0942 | 004629 | 42 | |
| 0794 | 003774 | 22 | | 0942 | 004683 | 42 | |
| 0794 | 003778 | 22 | | 0965 | 000516 | 35 | |
| 0794 | 003781 | 22 | | 0973 | 461020 | 52 | |
| 0794 | 003785 | 22 | | 0988 | 881020 | 20, 26 | |
| 0794 | 003811 | 22 | | 0990 | 490128 | 99 | |
| 0794 | 003812 | 22 | | 0992 | 023810 | 28 | |
| 0794 | 003814 | 22 | | 0992 | 023980 | 14 | |
| 0794 | 004522 | 27 | | 0992 | 024000 | 31, 32 | |
| 0794 | 005427 | 53 | | 0992 | 024360 | 25 | |
| 0794 | 006552 | 55 | | 0993 | 021360 | 35 | |
| 0794 | 006555 | 55 | | 0993 | 270940 | 41 | |
| 0794 | 006562 | 55 | | 0993 | 950818 | 44 | |
| 0794 | 006565 | 55 | | 0994 | 252047 | 19, 23, 27, 94 | |
| 0794 | 006570 | 55 | | 0995 | 340617 | 99 | |
| 0794 | 006571 | 55 | | 0996 | 120347 | 03 | |
| 0794 | 006588 | 55 | | 0996 | 120497 | 19, 23 | |
| 0794 | 006601 | 55 | | 0996 | 760500 | 23, 33 | |
| 0794 | 006605 | 55 | | 0998 | 880130 | 03 | |
| 0794 | 006606 | 55 | | 0998 | 880610 | 43 | |
| 0794 | 006631 | 55 | | 0998 | 881010 | 06 | |
| 0794 | 006662 | 55 | | 0998 | 881020 | 18, 25 | |
| 0794 | 006672 | 55 | | 0998 | 881040 | 20 | |
| 0794 | 006691 | 55 | | 0998 | 881100 | 28, 35 | |
| 0794 | 006696 | 55 | | 0998 | 881930 | 28 | |
| 0794 | 006805 | 56 | | 0998 | 882100 | 35 | |
| 0794 | 006813 | 56 | | 0998 | 882550 | 93 | |
| 0794 | 006871 | 56 | | 0998 | 885050 | 93 | |
| 0794 | 013340 | 51 | | 0998 | 910178 | 28 | |
| 0797 | 000410 | 24 | | 0999 | 024360 | 18 | |
| 0797 | 000638 | 98 | | 0999 | 210441 | 24, 26 | |
| 0797 | 000881 | 98 | | 0999 | 210829 | 97 | |
| 0797 | 001038 | 03 | | 0999 | 210830 | 28 | |
| 0797 | 001538 | 55 | | | | | |
| 0797 | 002016 | 76, 78, 80, 82 | | | | | |
| 0797 | 003031 | 98 | | | | | |
| 0797 | 003063 | 98 | | | | | |
| 0798 | 122068 | 92 | | | | | |
| 0798 | 221026 | 20, 26 | | | | | |
| 0798 | 424203 | 18, 24 | | | | | |
| 0798 | 482404 | 56 | | | | | |
| 0798 | 700162 | 50 | | | | | |
| 0805 | 401650 | 28 | | | | | |
| 0805 | 401690 | 28 | | | | | |
| 0806 | 400360 | 93 | | | | | |
| 0806 | 402670 | 19, 23, 51 | | | | | |
| 0806 | 402680 | 19, 23, 51 | | | | | |
| 0806 | 404613 | 61 | | | | | |
| 0893 | 211108 | 50 | | | | | |
| 0894 | 450378 | 35 | | | | | |
| 0894 | 450388 | 42 | | | | | |
| 0902 | 004102 | 59, 60 | | | | | |
| 0911 | 000339 | 14, 36, 44, 63, 64, 65 | | | | | |
| | | 66, 67, 68, 69, 70, 72 | | | | | |
| | | 76, 78, 80, 82 | | | | | |
| 0911 | 000352 | 41 | | | | | |
| 0933 | 000075 | 01 | | | | | |
| 0933 | 000148 | 36 | | | | | |
| 0933 | 001533 | 15 | | | | | |
| 0933 | 006268 | 74 | | | | | |
| 0933 | 010889 | 59, 60, 91 | | | | | |
| 0933 | 063984 | 57, 76, 78, 80, 82 | | | | | |
| 0933 | 078942 | 55 | | | | | |
| 0935 | 100057 | 02 | | | | | |
| 0935 | 100481 | 03 | | | | | |
| 0935 | 100622 | 01 | | | | | |
| 0935 | 100789 | 09, 10 | | | | | |
| 0935 | 100791 | 09, 10 | | | | | |
| 0935 | 100792 | 09, 10 | | | | | |
| 0935 | 100793 | 09, 10 | | | | | |
| 0935 | 150010 | 16 | | | | | |
| 0999 | 210956 | 21, 27, 43 | | | | | |
| 0999 | 220550 | 98 | | | | | |
| 0999 | 220725 | 54 | | | | | |
| 0999 | 220726 | 22, 28, 54 | | | | | |
| 0999 | 220745 | 44 | | | | | |
| 0999 | 220756 | 20 | | | | | |
| 0999 | 220805 | 22, 54 | | | | | |
| 0999 | 220848 | 20, 26 | | | | | |
| 0999 | 220852 | 27 | | | | | |
| 0999 | 232008 | 44 | | | | | |
| 0999 | 232045 | 44 | | | | | |
| 0999 | 240301 | 98 | | | | | |
| 0999 | 240303 | 98 | | | | | |
| 0999 | 240389 | 03, 62 | | | | | |
| 0999 | 240392 | 51, 98 | | | | | |
| 0999 | 240393 | 98 | | | | | |
| 0999 | 240402 | 98 | | | | | |
| 0999 | 240408 | 14, 30 | | | | | |
| 1001 | 001162 | 01, 02 | | | | | |
| 1001 | 009130 | 44, 63, 65, 67, 68, 72 | | | | | |
| | | 91, 96 | | | | | |
| 1001 | 009243 | 64, 65, 66, 67, 68, 74 | | | | | |
| 9041 | 100030 | 01 | | | | | |
| 9041 | 100035 | 09, 10, 15 | | | | | |
| 9041 | 100050 | 15 | | | | | |
| 9041 | 102025 | 02 | | | | | |
| 9042 | 010801 | 51 | | | | | |
| 9050 | 050001 | 15 | | | | | |
| 9069 | 910010 | 44, 58, 59, 60 | | | | | |
| 9081 | 200808 | 99 | | | | | |
| 9081 | 500051 | 99 | | | | | |
| 9092 | 000003 | 76, 78, 80, 82 | | | | | |
| 9092 | 213403 | 100 99 | | | | | |
| 9120 | 030081 | 09, 10 | | | | | |
| 9120 | 030120 | 56 | | | | | |
| 9120 | 030121 | 01 | | | | | |
| 9120 | 050081 | 22 | | | | | |
| 9120 | 080250 | 01 | | | | | |

From the library of: Superior Sewing Machine & Supply LLC

From the library of: Superior Sewing Machine & Supply LLC

| Teile-Nr./Part-no. | Tafel/Table | Teile-Nr./Part-no. | Tafel/Table | Teile-Nr./Part-no. | Tafel/Table | Teile-Nr./Part-no. | Tafel/Table |
|--------------------|-------------|--------------------|-------------|--------------------|-------------|------------------------|-------------|
| 9120 | 322200 | 43 | | 9150 | 010051 | 20, 26, 34 | |
| 9122 | 200121 | 17 | | 9150 | 010052 | 34 | |
| 9122 | 210081 | 28, 44 | | 9150 | 010053 | 18 | |
| 9122 | 322010 | 28, 44 | | 9150 | 010055 | 22 | |
| 9122 | 322020 | 28 | | 9150 | 010056 | 34 | |
| 9122 | 322040 | 28 | | 9150 | 010061 | 35 | |
| 9122 | 322105 | 28 | | 9150 | 010062 | 31 | |
| 9126 | 000035 | 28 | | 9150 | 010063 | 32 | |
| 9126 | 000060 | 45 | | 9150 | 010064 | 43 | |
| 9126 | 000095 | 49, 55 | | 9150 | 010065 | 96 | |
| 9126 | 000160 | 45 | | 9150 | 010066 | 62 | |
| 9126 | 300040 | 62 | | 9150 | 010067 | 25 | |
| 9126 | 300050 | 20 | | 9201 | 013797 | 46, 47, 48 | |
| 9126 | 300200 | 43 | | 9201 | 013807 | 46 | |
| 9126 | 300250 | 28 | | 9201 | 111257 | 06 | |
| 9126 | 300320 | 19, 23 | | 9201 | 112447 | 61, 62 | |
| 9129 | 016060 | 01 | | 9201 | 112457 | 03 | |
| 9129 | 020130 | 02 | | 9201 | 112467 | 40 | |
| 9129 | 020190 | 25 | | 9201 | 112477 | 44 | |
| 9130 | 202160 | 16 | | 9201 | 112857 | 80, 82 | |
| 9130 | 220050 | 43, 44 | | 9201 | 112868 | 91 | |
| 9130 | 220060 | 28 | | 9201 | 112897 | 76, 78, 80, 82 | |
| 9130 | 220070 | 28 | | 9201 | 112898 | 11 | |
| 9130 | 240020 | 41 | | 9201 | 112917 | 27 | |
| 9130 | 240030 | 61 | | 9201 | 112937 | 35 | |
| 9130 | 261000 | 20, 31 | | 9201 | 113277 | 20, 37 | |
| 9130 | 261012 | 18 | | 9201 | 113317 | 19, 20, 23, 24, 28, 76 | |
| 9130 | 261015 | 35 | | | | 78, 80, 82, 86, 89 | |
| 9130 | 650010 | 18, 20 | | 9201 | 113337 | 20, 26 | |
| 9130 | 650011 | 35 | | 9201 | 113357 | 11 | |
| 9130 | 650012 | 18 | | 9201 | 113417 | 23 | |
| 9130 | 650013 | 31, 32, 35 | | 9201 | 113667 | 38 | |
| 9130 | 651012 | 43 | | 9201 | 113697 | 35 | |
| 9130 | 651013 | 28 | | 9201 | 113717 | 46, 47, 48 | |
| 9130 | 651103 | 43 | | 9201 | 250328 | 20, 26 | |
| 9130 | 652001 | 61 | | 9202 | 001638 | 20, 26 | |
| 9131 | 200011 | 32 | | 9202 | 001657 | 25, 61, 62 | |
| 9131 | 900011 | 32 | | | | | |
| | | | | 9202 | 001658 | 03, 07, 20, 26, 37, 43 | |
| | | | | 9202 | 001667 | 25, 26, 62 | |
| | | | | 9202 | 001668 | 03, 07, 20, 91 | |
| | | | | 9202 | 001677 | 24 | |
| | | | | 9202 | 001678 | 18, 20 | |
| | | | | 9202 | 001688 | 17, 20, 22, 25, 26, 43 | |
| | | | | | | 44, 62 | |
| | | | | 9202 | 001698 | 20, 24, 26 | |
| | | | | 9202 | 001708 | 26 | |
| | | | | 9202 | 001718 | 03, 24, 62 | |
| | | | | 9202 | 001727 | 24 | |
| | | | | 9202 | 002057 | 41, 42, 44, 51, 61, 84 | |
| | | | | 9202 | 002063 | 01, 05, 55, 56, 72 | |
| | | | | 9202 | 002067 | 17, 28, 34, 35, 49 | |
| | | | | 9202 | 002073 | 01, 64 | |
| | | | | 9202 | 002077 | 06, 18, 20, 26, 32, 34 | |
| | | | | | | 35, 45, 54, 61, 95 | |
| | | | | 9202 | 002083 | 64, 65, 66, 67, 68, 72 | |
| | | | | | | 74 | |
| | | | | 9202 | 002087 | 03, 05, 20, 26, 43, 44 | |
| | | | | | | 71, 96 | |
| | | | | 9202 | 002093 | 63, 65, 67, 69, 70 | |
| | | | | 9202 | 002097 | 18, 20, 24, 26, 32, 33 | |
| | | | | | | 51, 54, 61 | |
| | | | | 9202 | 002107 | 43, 45 | |
| | | | | 9202 | 002108 | 31, 32 | |
| | | | | 9202 | 002117 | 51 | |
| | | | | 9202 | 002128 | 18 | |
| | | | | 9202 | 002137 | 95 | |
| | | | | 9202 | 002138 | 43 | |
| | | | | 9202 | 002177 | 98 | |
| | | | | 9202 | 002247 | 36 | |
| | | | | 9202 | 002377 | 28, 56 | |
| | | | | 9202 | 002378 | 28 | |
| | | | | 9202 | 002388 | 03 | |
| | | | | 9202 | 002467 | 20, 26, 38, 41, 91 | |
| | | | | 9202 | 002477 | 24, 35, 50, 86, 89 | |
| | | | | 9202 | 002478 | 01, 72 | |
| | | | | 9202 | 002483 | 55 | |
| | | | | 9202 | 002487 | 16, 18, 19, 20, 22, 29 | |
| | | | | | | 30, 33, 35, 36, 42, 52 | |
| | | | | | | 84 | |
| | | | | 9202 | 002493 | 55 | |
| | | | | 9202 | 002497 | 03, 21, 35, 41, 42, 50 | |
| | | | | | | 52, 94 | |
| | | | | 9202 | 002507 | 19, 21, 23, 24, 27, 31 | |
| | | | | | | 34, 52, 56, 61 | |
| | | | | 9202 | 002517 | 05, 27, 41, 43 | |
| | | | | 9202 | 002538 | 55 | |
| | | | | 9202 | 002557 | 18 | |
| | | | | 9202 | 002568 | 94 | |
| | | | | 9202 | 002587 | 40 | |
| | | | | 9202 | 002877 | 25, 45, 49, 50 | |
| | | | | 9202 | 002887 | 16, 50, 86, 89, 95, 96 | |
| | | | | 9202 | 002897 | 16, 17, 24, 27, 33, 39 | |
| | | | | | | 94 | |
| | | | | 9202 | 002907 | 07 | |
| | | | | 9202 | 002917 | 20, 21, 25, 26, 43 | |
| | | | | 9202 | 002927 | 50 | |
| | | | | 9202 | 002937 | 35 | |
| | | | | 9202 | 002947 | 94 | |
| | | | | 9202 | 002977 | 45 | |
| | | | | 9202 | 003177 | 44 | |
| | | | | 9202 | 003297 | 98 | |
| | | | | 9202 | 003307 | 19, 23, 27, 38, 39, 47 | |
| | | | | | | 48, 50, 61 | |
| | | | | 9202 | 003317 | 35, 61, 93, 94 | |
| | | | | 9202 | 003327 | 19, 23, 32 | |
| | | | | 9202 | 003337 | 22, 94 | |
| | | | | 9202 | 003347 | 49 | |
| | | | | 9202 | 003357 | 94 | |
| | | | | 9202 | 003377 | 31 | |
| | | | | 9202 | 003747 | 50 | |
| | | | | 9202 | 003777 | 31 | |
| | | | | 9202 | 021648 | 62 | |
| | | | | 9202 | 022068 | 96 | |

From the library of: Superior Sewing Machine & Supply LLC

From the library of: Superior Sewing Machine & Supply LLC

| Teile-Nr./Part-no. | Tafel/Table | Teile-Nr./Part-no. | Tafel/Table | Teile-Nr./Part-no. | Tafel/Table | Teile-Nr./Part-no. | Tafel/Table |
|--------------------|--------------------|--------------------|------------------------|--------------------|------------------------|--------------------|------------------------|
| 9202 022878 | 46, 56 | 9203 004278 | 11 | 9204 201647 | 16 | 9205 102558 | 05 |
| 9202 042077 | 96 | 9203 100002 | 04, 84 | 9204 201657 | 71 | 9205 102578 | 27 |
| 9202 042087 | 61 | 9203 100021 | 02, 53, 64 | 9204 201658 | 65, 67, 73 | 9205 102783 | 61 |
| 9202 042097 | 61 | 9203 100618 | 64, 91 | 9204 201667 | 28, 95 9204 | 9205 102788 | 01 |
| 9202 042328 | 64, 66, 68 | 9203 100631 | 91 | 201668 | 64, 65, 66, 67, 68, 72 | 9205 102803 | 16 |
| 9202 042508 | 28 | 9203 100971 | 59, 60 | | 74 | 9205 102878 | 93 |
| 9202 042887 | 24 | 9203 123687 | 32, 37 | 9204 201677 | 71 | 9205 102898 | 93 |
| 9202 042897 | 84, 94 | 9203 213031 | 02 | 9204 201678 | 28, 44, 59, 60, 74 | 9205 121553 | 18 |
| 9202 100338 | 36 | 9203 311811 | 22, 84, 86, 89 | 9204 201697 | 63 | 9205 162168 | 28 |
| 9202 100537 | 61 | 9203 311831 | 55 | 9204 201698 | 65, 68, 69, 70, 73, 74 | 9206 100207 | 37 |
| 9202 201657 | 63 | 9203 312431 | 44 | 9204 201827 | 35, 41, 64, 65, 66, 67 | 9206 200087 | 97 |
| 9203 001678 | 14 | 9203 312451 | 12, 61, 86, 89 | | 68, 72 | 9207 170227 | 94 |
| 9203 001807 | 84 | 9203 313021 | 76 | 9204 202038 | 99 | 9207 170437 | 94 |
| 9203 001837 | 34, 59, 60 | 9203 313022 | 84 | 9204 202328 | 09, 10 | 9207 170837 | 48 |
| 9203 002412 | 09, 10 | 9203 313047 | 52 | 9204 301357 | 92 | 9217 000427 | 50 |
| 9203 002421 | 03, 12 | 9203 313048 | 57, 78, 80, 82 | 9205 022432 | 86, 89 | 9217 000512 | 04 |
| 9203 003027 | 07, 27, 41, 53, 57 | 9203 313067 | 58, 75 | 9205 101528 | 20 | 9217 300528 | 04, 05 |
| 9203 003032 | 62 | 9203 313077 | 21 | 9205 101548 | 37, 41 | 9217 301547 | 38, 39 |
| 9203 003037 | 34 | 9203 313638 | 74 | 9205 101568 | 41 | 9225 201740 | 91 |
| 9203 003042 | 06 | 9203 313668 | 40, 72, 74 | 9205 101573 | 57, 86, 89 | 9225 201750 | 36, 61, 63, 64, 65, 66 |
| 9203 003047 | 86, 89 | 9203 313671 | 72 | 9205 101588 | 07 | | 67, 68, 69, 70 |
| 9203 003048 | 11, 63, 65, 69 | 9204 001257 | 27, 53, 57, 64, 65, 66 | 9205 101848 | 20, 23, 45 | 9225 201810 | 87, 88, 97 |
| 9203 003058 | 03 | | 67, 68, 72 | 9205 101878 | 34, 86, 89 | 9225 201811 | 89 |
| 9203 003067 | 34 | 9204 001737 | 61 | 9205 101883 | 61, 63, 64, 65, 66, 67 | 9225 201820 | 87, 88 |
| 9203 003077 | 28 | 9204 001767 | 61 | | 68, 69, 70, 72, 73, 74 | 9225 201850 | 88 |
| 9203 003078 | 14 | 9204 001897 | 97 | 9205 101888 | 84 | 9231 000347 | 18, 21, 44 |
| 9203 003097 | 18, 40, 41 | 9204 002067 | 21, 24, 86, 89 | 9205 101913 | 36 | 9231 000367 | 36, 41, 76, 78, 80, 82 |
| 9203 003117 | 08 | 9204 002077 | 16, 61 | 9205 101918 | 76, 78, 80, 82 | 9231 000368 | 84, 91 |
| 9203 003157 | 18 | 9204 002097 | 64, 65, 66, 67, 68, 71 | 9205 101938 | 84 | 9231 000377 | 36, 40, 43, 54, 94 |
| 9203 003207 | 54 | | 72, 74 | 9205 102158 | 32, 34 | 9231 000378 | 11 |
| 9203 003621 | 21, 72 | 9204 002167 | 27, 47, 48 | 9205 102168 | 35, 45 | 9231 000387 | 26, 37, 45 |
| 9203 003638 | 73 | 9204 101657 | 04 | 9205 102178 | 94 | 9231 000388 | 43 |
| 9203 003648 | 01, 15 | 9204 101658 | 28 | 9205 102188 | 01, 40 | 9231 000397 | 19, 22, 35, 49, 96 |
| 9203 003653 | 01 | 9204 101677 | 54, 63, 64, 65, 66, 67 | 9205 102193 | 76, 78, 80, 82 | 9231 000407 | 06 |
| 9203 003658 | 64, 66, 68 | | 68, 70 | 9205 102213 | 05 | 9231 000417 | 21 |
| 9203 003668 | 11 | 9204 200747 | 34 | 9205 102468 | 19, 23, 41, 45, 55 | 9231 000680 | 29, 30 |
| 9203 003958 | 02 | 9204 201037 | 21 | 9205 102478 | 02 | 9231 011138 | 55 |
| 9203 004238 | 15 | 9204 201067 | 94 | 9205 102508 | 27 | 9231 011147 | 23 |

From the library of: Superior Sewing Machine & Supply LLC

From the library of: Superior Sewing Machine & Supply LLC

| Teile-Nr./Part-no. | Tafel/Table | Teile-Nr./Part-no. | Tafel/Table | Teile-Nr./Part-no. | Tafel/Table | Teile-Nr./Part-no. | Tafel/Table |
|--------------------|--|--------------------|--|--------------------|--|--------------------|------------------------------|
| 9231 011153 | 26 | 9301 102511 | 19, 23, 61, 76, 78, 80 | 9330 700107 | 21, 52 | 9400 000100 | 06 |
| 9231 110017 | 59, 60 | | 82 | 9330 900077 | 20, 26, 36, 41 | 9400 000168 | 19, 23, 35, 96 |
| 9231 110035 | 58 | 9301 102541 | 32 | 9330 900097 | 20, 26, 36, 71, 95 | 9400 000177 | 31, 32, 39 |
| 9231 110037 | 06, 07, 41, 42, 94 | 9301 102841 | 94 | 9330 900098 | 64, 74 | 9400 000187 | 45, 51, 61, 95, 96 |
| 9231 110057 | 20, 26, 27, 59, 60, 61 86, 89 | 9301 102881 | 28 | 9330 900107 | 21, 35, 43, 50, 61, 94 | 9400 000217 | 96 |
| 9231 110058 | 11, 15, 63, 64, 65, 66 67, 68, 69, 70 | 9301 103181 | 45 | 9330 900117 | 19, 23, 25, 26, 94, 95 | 9400 000368 | 63, 64, 65, 66, 67, 68 75 |
| 9231 110107 | 17, 21, 24, 33, 35, 42 48, 52, 62, 64, 65, 66 67, 68, 71, 72, 74 69, 70, 74 | 9305 003690 | 93 | 9330 900127 | 35 | 9400 000407 | 18, 34, 95, 96 |
| 9231 110108 | 69, 70, 74 | 9321 110127 | 32 | 9330 900137 | 19, 23 | 9400 000417 | 95 |
| 9231 110127 | 05, 19, 23, 27 | 9330 000027 | 84 | 9332 300047 | 34 | 9400 100008 | 36 |
| 9231 110128 | 11, 42 | 9330 000067 | 06, 20, 21, 24, 26, 28 37, 41, 49, 58, 61, 86 89, 91, 94 | 9333 000110 | 11, 50 | 9401 000030 | 94 |
| 9231 110137 | 47, 48, 56, 93, 97, 98 | 9330 000068 | 07, 14, 20, 25 | 9334 001620 | 58 | 9401 000071 | 39 |
| 9231 110147 | 49 | 9330 000087 | 28, 37, 43, 44, 54, 61 63, 71, 76, 78, 80, 82 95 | 9334 001630 | 37, 63, 64, 65, 66, 67 68, 69, 70, 72 | 9503 313668 | 21 |
| 9231 110197 | 19, 23 | 9330 000088 | 15, 32, 64, 65, 66, 67 68, 69, 70, 72, 73, 74 | 9334 002300 | 28 | 9700 001260 | 46 |
| 9234 000057 | 20, 26, 86, 89 | 9330 000097 | 05, 16, 17, 18, 19, 20 21, 22, 23, 24, 26, 27 28, 29, 30, 34, 48, 54 | 9334 002638 | 20, 24, 26, 86, 89 | 9700 100020 | 49 |
| 9234 000067 | 98 | 9330 000098 | 02, 11, 74, 76, 78, 80 82, 91 | 9351 000037 | 03 | 9700 100022 | 03 |
| 9234 000077 | 19, 23, 27, 76, 78, 80 82 | 9330 000107 | 05, 07, 16, 20, 22, 24 25, 26, 27, 33, 35, 43 45, 49, 50, 76, 78, 80 82, 84, 96 | 9351 000057 | 84 | 9700 100093 | 76, 78, 80, 82 |
| 9234 000087 | 18, 21, 26 | 9330 000108 | 15 | 9352 000100 | 28 | 9700 101100 | 20, 40 |
| 9234 000107 | 19, 22, 23, 93 | 9330 000127 | 22, 38, 46, 47, 48, 50 61, 93, 94, 97, 98 | 9352 000120 | 01 | 9700 210038 | 33 |
| 9234 000117 | 19, 23, 38 | 9330 000137 | 18, 19, 23, 38 | 9352 000163 | 03 | 9700 212003 | 21, 43 |
| 9234 030067 | 97 | 9330 000177 | 99 | 9352 000200 | 46 | 9700 212012 | 54 |
| 9301 100951 | 28 | 9330 000187 | 19, 23 | 9352 000250 | 28 | 9700 212013 | 52 |
| 9301 100981 | 32 | 9330 200097 | 71 | 9353 000127 | 22 | 9700 212021 | 49 |
| 9301 101251 | 44 | 9330 200098 | 72 | 9354 010240 | 01 | 9700 212022 | 49 |
| 9301 101611 | 07 | 9330 200098 | 72 | 9357 000040 | 62, 63, 64, 65, 66, 67 68, 69, 70 | 9700 212029 | 40 |
| 9301 101891 | 33 | 9330 200107 | 86, 89 | 9357 000050 | 11 | 9700 212034 | 45 |
| 9301 101921 | 22 | 9330 400027 | 26 | 9357 000060 | 17, 18, 21, 25, 26, 28 44, 54, 55 | 9700 212040 | 33 |
| 9301 102153 | 84 | 9330 700097 | 28 | 9357 000070 | 18, 22, 27 | 9700 212042 | 22 |
| 9301 102191 | 34 | | | 9357 000090 | 55, 93 | 9700 212044 | 07 |
| 9301 102221 | 45 | | | 9357 000110 | 95 | 9700 212046 | 28 |
| 9301 102243 | 34 | | | 9357 000120 | 35 | 9700 212049 | 34 |
| 9301 102283 | 45 | | | 9357 200056 | 19, 23 | 9700 212054 | 03 |
| 9301 102471 | 34 | | | 9357 200106 | 95 | 9700 212057 | 26 |
| | | | | 9357 200116 | 46 | 9700 212061 | 24 |
| | | | | 9380 500103 | 84 | 9700 212062 | 62 |
| | | | | 9380 700643 | 46 | 9700 212063 | 62 |
| | | | | | | 9700 512050 | 27 |
| | | | | | | 9700 601120 | 42 |

From the library of: Superior Sewing Machine & Supply LLC

From the library of: Superior Sewing Machine & Supply LLC

| Teile-Nr./Part-no. | Tafel/Table | Teile-Nr./Part-no. | Tafel/Table | Teile-Nr./Part-no. | Tafel/Table | Teile-Nr./Part-no. | Tafel/Table |
|--------------------|------------------------|--------------------|------------------------|--------------------|------------------------|--------------------|-------------|
| 9700 601170 | 18, 43 | 9790 210010 | 24 | 9825 810413 | 99 | N900 001362 | 56 |
| 9706 000301 | 93 | 9790 210050 | 33, 98 | 9825 810415 | 99 | OAPP 000055 | 99 |
| 9710 002001 | 46, 49 | 9790 211040 | 63, 64, 65, 66, 67, 68 | 9825 810416 | 99 | Z111 000157 | 17 |
| 9710 041002 | 51 | | 69, 70, 71, 74 9 | 9825 810417 | 99 | Z112 420163 | 50 |
| 9710 050004 | 97 | 790 315103 | 28, 44, 62 | 9830 402061 | 97 | Z112 420213 | 49, 50 |
| 9710 063000 | 52, 55 | 9792 001020 | 28, 44, 62 | 9830 501003 | 92 | Z112 420223 | 49, 50 |
| 9710 920011 | 11, 24, 29, 30, 33, 40 | 9792 001030 | 46 9 | 9830 501029 | 92 | Z112 420240 | 50 |
| | 42, 54, 64, 65, 66, 67 | 792 001040 | 51, 98 9 | 9830 502003 | 18 | Z112 420250 | 50 |
| | 68, 72, 74, 98 | 792 050010 | 14 | 9835 501004 | 19, 23, 51 | Z112 420260 | 49 |
| 9710 920012 | 14, 18, 22, 27, 33, 34 | 9792 102000 | 49 | 9840 120025 | 37, 61, 63, 64, 65, 66 | Z115 000025 | 20, 26 |
| | 40, 43, 45, 52, 55, 71 | 9792 102010 | 98 | | 67, 68, 75, 96 | Z116 000306 | 43 |
| 9710 920013 | 18 | 9792 302020 | 11, 98 | 9840 120026 | 15, 28, 35, 44, 63, 64 | Z118 000016 | 23 |
| 9710 920022 | 49 | 9800 130103 | 16 | | 65, 66, 67, 68, 75 | Z118 000627 | 37 |
| 9731 001045 | 15, 37 | 9800 551000 | 97 | 9840 120028 | 41, 61 | Z120 001815 | 37 |
| 9731 001051 | 15 | 9800 551003 | 97 | 9840 120028 H4P | 61 | Z129 000005 | 56 |
| 9731 002001 | 98 | 9800 551004 | 97 | 9840 120029 H5P | 61 | Z129 000035 | 56 |
| 9731 005004 | 14, 27, 33, 45, 51, 63 | 9800 560003 | 03 | 9840 120030 | 61 | | |
| | 64, 65, 66, 67, 68, 69 | 9800 570003 | 45 | 9840 120203 | 28, 62 | | |
| | 70, 71, 74, 75 | 9800 580010 | 35 | 9840 121001 | 61 | | |
| 9731 006004 | 97, 98 | 9800 580016 | 31 | 9840 121002 | 41, 97 | | |
| 9732 101080 | 97 | 9800 580024 | 41 | 9840 131012 | 97 | | |
| 9740 000600 | 09, 10 | 9800 580025 | 34 | 9840 131013 | 97 | | |
| 9742 300140 | 04 | 9800 580029 | 61 | 9840 134012 | 97 | | |
| 9742 310070 | 55 | 9800 810003 | 97 | 9850 001021 | 92 | | |
| 9790 000220 | 61, 63, 64, 65, 66, 67 | 9805 791103 | 38 | 9850 001030 | 38 | | |
| | 68, 75 | 9815 510027 | 37, 94 | 9850 001058 | 37 | | |
| 9790 000420 | 03 | 9815 710002 | 18, 23, 24, 41 | 9850 745103 | 92 | | |
| 9790 101010 | 11, 34 | 9815 740001 | 05 | 9850 745104 | 38 | | |
| 9790 102010 | 54 | 9815 920023 | 06 | 9870 001018 | 37 | | |
| 9790 110001 | 49 | 9815 920024 | 64, 65, 66, 67, 68, 70 | 9870 745108 | 19 | | |
| 9790 111001 | 46 | | 71, 72, 99 | 9870 745119 | 42 | | |
| 9790 114002 | 49 | 9815 925002 | 14 | MG43 000062 | 94 | | |
| 9790 200000 | 33, 54, 97 | 9822 510011 | 38 | MG43 002950 A | 72 | | |
| 9790 200001 | 51 | 9822 510025 | 99 | N311 000012 | 16 | | |
| 9790 201000 | 07, 11, 12, 14, 22, 24 | 9822 642010 | 99 | N522 005026 | 44 | | |
| | 54, 55, 63, 64, 65, 66 | 9825 810312 | 99 | N900 001351 | 56 | | |
| | 67, 68, 69, 70 | 9825 810316 | 99 | N900 001354 | 56 | | |
| 9790 201001 | 51 | 9825 810402 | 99 | N900 001361 | 56 | | |

From the library of: Superior Sewing Machine & Supply LLC

From the library of: Superior Sewing Machine & Supply LLC

Näheinrichtungen Kl. 745-34

| Teilenummer | 0745 28 110 4 | 0745 28 112 4 | 0745 28 114 4 | 0745 28 116 4 | 0745 28 120 4 | 0745 28 124 4 | 0745 28 126 4 | 0745 28 130 4 |
|--|---------------|---------------|---------------|---------------|---------------|---------------|---------------|---------------|
| Näheinrichtung | N 110 | N 112 | N 114 | N 116 | N 120 | N 124 | N 126 | N 130 |
| Nadelabstand [mm] | 10 | 12 | 14 | 16 | 20 | 24 | 26 | 30 |
| Stichplatte | 0745 20 010 4 | 0745 20 012 4 | 0745 20 014 4 | 0745 20 016 4 | 0745 20 020 4 | 0745 20 024 4 | 0745 20 026 4 | 0745 20 030 4 |
| Gleitblech R (alt) | 0745 59 061 0 | 0745 59 069 0 | 0745 59 063 0 | 0745 59 065 0 | 0745 59 067 0 | | | |
| Gleitblech L (alt) | 0745 59 060 0 | 0745 59 068 0 | 0745 59 062 0 | 0745 59 064 0 | 0745 59 066 0 | | | |
| Gleitblech , einteilig | 0745 59 170 0 | 0745 59 171 0 | 0745 59 172 0 | 0745 59 173 0 | 0745 59 174 0 | 0745 59 163 0 | 0745 59 167 0 | 0745 59 165 0 |
| Nadelhalter Rechts | 0246 00 200 1 | 0246 00 201 5 | 0246 00 202 1 | 0246 00 203 1 | 0246 00 204 1 | 0246 23 025 3 | 0246 23 027 3 | 0246 23 031 3 |
| Nadelhalter Links | 0246 00 200 2 | 0246 00 201 6 | 0246 00 202 2 | 0246 00 203 2 | 0246 00 204 2 | 0246 23 024 3 | 0246 23 026 3 | 0246 23 030 3 |
| Eckenmesser, rechts (4 x in Näheinrichtung) | 0745 33 910 0 | 0745 33 912 0 | 0745 33 914 0 | 0745 33 916 0 | 0745 33 920 0 | 0745 33 924 0 | 0745 33 924 0 | 0745 33 924 0 |
| Eckenmesser, links (4 x in Näheinrichtung) | 0745 33 911 0 | 0745 33 913 0 | 0745 33 915 0 | 0745 33 917 0 | 0745 33 921 0 | 0745 33 925 0 | 0745 33 925 0 | 0745 33 925 0 |
| Fadenfängermesser beweglich | 0246 35 006 0 | 0246 35 006 0 | 0246 35 010 0 | 0246 35 010 0 | 0246 35 014 0 | 0246 35 020 0 | 0246 35 020 0 | 0246 35 020 0 |
| Fadenfängergegenmesser | 0246 35 004 0 | 0246 35 004 0 | 0246 35 009 0 | 0246 35 009 0 | 0246 35 013 0 | 0246 35 019 0 | 0246 35 019 0 | 0246 35 019 0 |
| Fadenfängerblech | 0246 35 003 0 | 0246 35 003 0 | 0246 35 008 0 | 0246 35 008 0 | 0246 35 012 0 | 0246 35 018 0 | 0246 35 018 0 | 0246 35 018 0 |
| Messerschutz | 0246 35 002 0 | 0246 35 002 0 | 0246 35 007 0 | 0246 35 007 0 | 0246 35 011 0 | 0246 35 017 0 | 0246 35 017 0 | 0246 35 017 0 |
| Messer, kpl. für Unterfäden | 0246 00 240 1 | 0246 00 240 8 | 0246 00 241 1 | 0246 00 241 4 | 0246 00 242 1 | 0246 00 242 3 | 0246 00 242 5 | 0246 00 242 9 |
| Gegenmesser für Unterfäden | 0246 00 240 2 | 0246 00 240 9 | 0246 00 241 2 | 0246 00 241 5 | 0246 00 242 2 | 0246 00 242 4 | 0246 00 242 6 | 0246 00 243 0 |



Einrichtungen der Equipment of

745-34

Ausgabe
Edition
03.04

Ersetzt Ausgabe
Replaced edition
08.03

E Blatt Page 1
Fortsetzung Blatt Continued page 2

| Anwendung Application | Ausstattung Doppelpaspel Equipment double piping | | | | | | | | | | | | | | Zusatzausstattung, Einfachpaspel Optional equipment, single piping | | | | | |
|--|---|---|---------------------|--------------------------|---------------------------------------|---|-----|--|--------------------------------------|--|-----|----------------------------------|---|------------------------------------|---|------------------------------------|------|-----------------------------------|--|----|
| | Paspelrührung autom. Autom. piping loader | Paspelrührung manuell Manual piping loader | Version Version | Einrichtung Equipment | Nahabstand (mm) Seam distance (mm) | Falstempelmaß (mm) ¹⁾ Folder size | | max. Paspelstreifenbreite (mm) max. piping strip width (mm) | Nähbereich (mm) Sewing range (mm) | Stoffdurchgang (mm) Fabric passage (mm) ²⁾ | | Klammern Clamps ³⁾ | Nähmaschine Sewing equipment ³⁾ | Falstempel Folder ³⁾ | Audegen / Paspelstreifenränder (PE) Trays / Straps pipe (PE) ³⁾ | Falstempel Folder ³⁾ | | Falstempelmaß (mm) Folder (mm) | max. Paspelstreifenbreite (mm) max. piping strip width (mm) | |
| | | | | | | a | b | | | c | d | | | | | a | b | | | |
| Sacko / Mantel - Fertigung Paspelmaschine, rechts Men's jacket production Piping pick-up, right | X | A | E2603 | 10 | 4 | 4 | 70 | 180 | 3,5 | 2 | K19 | N110 | S97 | | | S110 | | 8,5 | 45 | |
| | X | A | E2703 | 10 | 4 | 4 | 70 | 220 | 3,5 | 2 | K16 | N110 | S89 | | | S90 | | 8,5 | 45 | |
| | X | B | E3103 ⁴⁾ | 10 | 4 | 4 | 90 | 180 | 3,5 | 2 | K13 | N110 | S330 | A3 | | S332 | | 8,5 | 65 | |
| | X | B | E3503 ⁴⁾ | 10 | 4 | 4 | 90 | 180 | 3,5 | 2 | K13 | N110 | S334 | PE3 | | S332 | | 8,5 | 65 | |
| | X | F | E3103 ⁴⁾ | 10 | 4 | 4 | 90 | 180 | 3,5 | 2 | K13 | N110 | S330 | A3 | | S332 | | 8,5 | 65 | |
| | X | F | E3503 ⁴⁾ | 10 | 4 | 4 | 90 | 180 | 3,5 | 2 | K13 | N110 | S334 | PE3 | | S332 | | 8,5 | 65 | |
| | X | A | E2607 | 12 | 5 | 5 | 76 | 180 | 4,5 | 3 | K19 | N112 | S100 | | | S111 | | 10,5 | 50 | |
| | X | A | E2722 | 12 | 5 | 5 | 76 | 220 | 4,5 | 3 | K16 | N112 | S91 | | | S109 | S92 | 10,5 | 10,5 | 50 |
| | X | B | E3107 ⁴⁾ | 12 | 5 | 5 | 96 | 180 | 4,5 | 3 | K13 | N112 | S337 | A3 | | S339 | | 10,5 | 70 | |
| | X | B | E3122 ⁴⁾ | 12 | 5 | 5 | 96 | 220 | 4,5 | 3 | K16 | N112 | S337 | A4 | | S339 | | 10,5 | 70 | |
| | X | B | E3507 ⁴⁾ | 12 | 5 | 5 | 96 | 180 | 4,5 | 3 | K13 | N112 | S341 | PE3 | | S339 | | 10,5 | 70 | |
| | X | F | E3107 ⁴⁾ | 12 | 5 | 5 | 96 | 180 | 4,5 | 3 | K13 | N112 | S337 | A3 | | S339 | | 10,5 | 70 | |
| | X | F | E3507 ⁴⁾ | 12 | 5 | 5 | 96 | 180 | 4,5 | 3 | K13 | N112 | S341 | PE3 | | S339 | | 10,5 | 70 | |
| | X | A | E2612 | 14 | 6 | 6 | 82 | 180 | 5,5 | 4 | K19 | N112 | S112 | | | S113 | | 12 | 55 | |
| | X | A | E2724 | 14 | 6 | 6 | 76 | 220 | 5,5 | 4 | K16 | N114 | S93 | | | S94 | | 12 | 55 | |
| | X | B | E3124 ⁴⁾ | 14 | 5,5 | 5,5 | 102 | 220 | 5,5 | 4 | K16 | N114 | S345 | A4 | | S346 | S347 | 12 | 12 | 75 |

- 1) Die Paspelbreite ergibt sich aus a bzw. b + Paspelstreifendicke / The piping width results from a or b + piping strip thickness.
- 2) Stoffdurchgang = Engste Stelle am Falstempel zur Führung des Nähgutes / Fabric passage = narrowest passage at the folder for guiding the material.
- 3) Einzelteile siehe separate Blätter / Details see extra pages.
- 4) Paspelüberstand max. 40 mm / Max. piping overlap 40 mm
- 5) Einrichtung speziell für den asiatischen Markt (nicht in Preisliste enthalten)
Equipment only for the asian market (not included in the price list)

= Änderung / Modification

① = Falstempel / Folder, ② = Leitblech / Guide sheet, ③ = Paspelstreifen / Piping strip, ④ = Überstand max. 20-40 mm / max. overlap 20-40 mm

From the library of: Superior Sewing Machine & Supply LLC

From the library of: Superior Sewing Machine & Supply LLC



| Anwendung Application | Ausstattung Doppelpaspel Equipment double piping | | | | | | | | | | Zusatzausstattung, Einfachpaspel Optional equipment, single piping | | | | | | | | | | | |
|--|---|--|---------------------|--------------------------|---|-----|-----------------------|-----|--|-----|---|------------------------|------|-----------------------|------------------------------------|-------------------------|----------------------|-------------------------|------|-----------------------------------|--|----|
| | Paspelführung autom. Autom. piping loader | Paspelführung manual Manual piping loader | Version | Einrichtung Equipment | Nahtabstand (mm) Steam distance (mm) | | Falstempelmaß (mm) 1) | | max. Paspelstreifenbreite (mm) max. piping strip width (mm) | | Nähbereich (mm) Sewing range (mm) | Stoffdurchgang (mm) 2) | | Klammern Clamps 3) | Nährichtung Sewing equipment 3) | Falstempel Folder 3) | Auflagen Trays 3) | Falstempel Folder 3) | | Falstempelmaß (mm) Folder (mm) | max. Paspelstreifenbreite (mm) max. piping strip width (mm) | |
| | | | | | NA | a | b | c | d | a | | b | | | | | | | | | | |
| Sakko / Mantel - Fertigung Jacket / Coat - Production | X | A | E2614 | 16 | 6,5 | 6,5 | 88 | 180 | 6,5 | 5 | K19 | N116 | S114 | | | | | S115 | 14 | 60 | | |
| | X | A | ⁶⁾ | 16 | 6,5 | 6,5 | 88 | 220 | 6,5 | 5 | K16 | N116 | S118 | | | | | S119 | S120 | 14 | 14 | 60 |
| | X | B | ^{4), 6)} | 16 | 6,5 | 6,5 | 108 | 220 | 6,5 | 5 | K16 | N116 | S348 | A4 | | | | S349 | S350 | 14 | 14 | 80 |
| | X | A | E2617 | 20 | 8,5 | 8,5 | 100 | 180 | 8,5 | 7 | K19 | N120 | S116 | | | | | | S117 | 18,5 | 70 | |
| | X | A | ⁶⁾ | 20 | 8,5 | 8,5 | 100 | 220 | 8,5 | 7 | K16 | N120 | S121 | | | | | S122 | S123 | 18,5 | 18,5 | 70 |
| | X | B | ^{4), 6)} | 20 | 8,5 | 8,5 | 120 | 220 | 8,5 | 7 | K16 | N120 | S351 | A4 | | | | S352 | S353 | 18,5 | 18,5 | 90 |
| Futtertaschen - Fertigung Inside pockets - Production | X | B | E3120 ⁴⁾ | 10 | 4 | 4 | 90 | 180 | 2 | 3,5 | K13 | N110 | S331 | A3 | | | | S333 | 8,5 | 65 | | |
| | X | B | E3121 ⁴⁾ | 12 | 5 | 5 | 96 | 180 | 3 | 4,5 | K13 | N112 | S338 | A3 | | | | S340 | 10,5 | 70 | | |

- 1) Die Paspelbreite ergibt sich aus a bzw. b + Paspelstreifendicke / The piping width results from a or b + piping strip thickness.
 2) Stoffdurchgang = Engste Stelle am Falstempel zur Führung des Nähgutes / Fabric passage = narrowest passage at the folder for guiding the material.
 3) Einzelteile siehe separate Blätter / Details see extra pages.
 4) Paspelüberstand max. 40 mm / Max. piping overlap 40 mm
 6) Diese Ausstattung wird nicht als E-Nr. angeboten. Die Klammern, Stempel, Nährichtungen, usw. sind hier aufgelistet, um über weitere Kombinationsmöglichkeiten zu informieren.
 This equipment is not offered as an E-No. The clamps, folders, sewing equipment, etc. are listed here as an information about further combination possibilities.

= Änderung / Modification

① = Falstempel / Folder ② = Leitblech / Guide sheet ③ = Paspelstreifen / Piping strip ④ = Überstand max. 20-40 mm / max. overlap 20-40 mm



| Anwendung Application | | Paspelzuführung autom. Autom. piping loader Paspelzuführung manuell Manual piping loader Version Version | Ausstattung Doppelpaspel Equipment double piping | | | | | | | | | | | | Zusatzausstattung, Einfachpaspel Optional equipment, single piping | | | |
|---|--|---|---|--|-----------------------|---|--|---------------------------------------|------------------------|-----|-----------------------|------------------------------------|-------------------------|---|---|--|--|--|
| | | | Einrichtung Equipment | Nahtabstand (mm) Seam distance (mm) NA | Faltpaspelmaß (mm) 1) | | max. Paspelstreifenbreite (mm) max. piping strip width (mm) | Nähtbereich (mm) Sewing range (mm) | Stoffdurchgang (mm) 2) | | Klammern Clamps 3) | Nährichtung Sewing equipment 3) | Faltpaspel Folder 3) | Auslegen / Paspelschneider (PE) Trays / Slung pipe (PE) 3) | Faltpaspel Folder 3) | Faltpaspelmaß (mm) Folder (mm) a | Faltpaspelmaß (mm) Folder (mm) b | max. Paspelstreifenbreite (mm) max. piping strip width (mm) |
| | | | | | a | b | | | c | d | | | | | | | | |
| | | X A | E2604 ⁴⁾ | 10 | 4 | 4 | 90 | 180 | 2 | 3,5 | K19 | N110 | S154 | | S155 | 8,5 | 65 | |
| | | X B | E2104 ⁴⁾ | 10 | 4 | 4 | 90 | 180 | 2 | 3,5 | K12 | N110 | S331 | A3 | S333 | 8,5 | 65 | |
| | | X B | E3504 ⁴⁾ | 10 | 4 | 4 | 90 | 180 | 2 | 3,5 | K12 | N110 | S335 | PE3 | S333 | 8,5 | 65 | |
| | | X A | E2608 ⁴⁾ | 12 | 5 | 5 | 96 | 180 | 3 | 4,5 | K19 | N112 | S156 | | S157 | 10,5 | 70 | |
| | | X B | E3108 ⁴⁾ | 12 | 5 | 5 | 96 | 180 | 3 | 4,5 | K12 | N112 | S338 | A3 | S340 | 10,5 | 70 | |
| | | X B | E3508 ⁴⁾ | 12 | 5 | 5 | 96 | 180 | 3 | 4,5 | K12 | N112 | S342 | PE3 | S340 | 10,5 | 70 | |
| | | X A | | 12 | 5 | 5 | 45 | 180 | | | K18 | N112 | S65 | | | | | |
| Endlosreiß- versch. Cont. Zipper | | | | | | | | | | | | | | | | | | |
| Brustkästen - Fertigung Breast welt - Production | | | | 10 | | | | 125 | | | K5 | N110 | S124 | | | | | |
| | | | | 12 | | | | 125 | | | K5 | N112 | S125 | | | | | |
| | | | | 14 | | | | 125 | | | K5 | N114 | S126 | | | | | |
| | | | | | | | | | | | | | | | | | | |
| | | | D | E2116 | 12 | | | | 125 | | | K5 | N112 | S34 | | | | |

1) Die Paspelbreite ergibt sich aus a bzw. b + Paspelstreifendicke / The piping width results from a or b + piping strip thickness.
 2) Stoffdurchgang = Engste Stelle am Faltpaspel zur Führung des Nähgutes / Fabric passage = narrowest passage at the folder for guiding the material.
 3) Einzelteile siehe separate Blätter / Details see extra pages.
 4) Paspelüberstand max. 40 mm / Max. piping overlap 40 mm

= Änderung / Modification

① = Faltpaspel / Folder ② = Leitblech / Guide sheet ③ = Paspelstreifen / Piping strip ④ = Überstand max. 20-40 mm / max. overlap 20-40 mm

From the library of: Superior Sewing Machine & Supply LLC

From the library of: Superior Sewing Machine & Supply LLC



| Anwendung Application | Paspelzuführung autom. Autom. piping leader | Paspelzuführung manuell Manual piping leader | Version Version | Ausstattung Doppelpaspel Equipment double piping | | | | | | | | | | | Zusatzausstattung, Einfachpaspel Optional equipment, single piping | | | | | | |
|--------------------------|--|---|--------------------|---|---------------------------------------|--|-----|--|--------------------------------------|---|-----------------------|------------------------------------|-------------------------|---|---|--|-------------------------------------|--|------|------|----|
| | | | | Einrichtung Equipment | Nahabstand [mm] Seam distance [mm] | Falstempelmaass [mm] Folder size 1) | | max. Paspelstreifenbreite [mm] max. piping strip width [mm] | Nähbereich [mm] Sewing range [mm] | Stoffdurchgang [mm] Fabric passage [mm] 2) | Klammern Clamps 3) | Nährichtung Sewing equipment 3) | Falstempel Folder 3) | Auflagen / Paspelschneider (PE) Trays / Strip pipe (PE) 3) | Falstempel Folder 3) | | Falstempelmaass [mm] Folder [mm] | max. Paspelstreifenbreite [mm] max. piping strip width [mm] | | | |
| | | | | NA | a | b | | | c | d | | | | | | | a | b | | | |
| | X | A | E2624 | 24 | 10,5 | 10,5 | 105 | 180 | 10,5 | 9 | K19 | N124 | S160 | | | | S161 | S162 | 22,5 | 22,5 | 80 |
| | X | A | E2626 | 26 | 11,5 | 11,5 | 110 | 180 | 11,5 | 10 | K19 | N126 | S163 | | | | S164 | S165 | 24,5 | 24,5 | 85 |
| | X | A | E2630 | 30 | 13,5 | 13,5 | 115 | 180 | 13,5 | 12 | K19 | N130 | S166 | | | | S167 | S168 | 28,5 | 28,5 | 90 |

1) Die Paspelbreite ergibt sich aus a bzw. b + Paspelstreifendicke / The piping width results from a or b + piping strip thickness.
 2) Stoffdurchgang = Engste Stelle am Falstempel zur Führung des Nähgutes / Fabric passage = narrowest passage at the folder for guiding the material.
 3) Einzelteile siehe separate Blätter / Details see extra pages.
 6) Diese Ausstattung wird nicht als E-Nr. angeboten. Die Klammern, Stempel, Nährichtungen, usw. sind hier aufgelistet, um über weitere Kombinationsmöglichkeiten zu informieren.
 This equipment is not offered as an E-No. The clamps, folders, sewing equipment, etc. are listed here as an information about further combination possibilities.

= Änderung / Modification

① = Falstempel / Folder ② = Leitblech / Guide sheet ③ = Paspelstreifen / Piping strip ④ = Überstand max. 20-40 mm / max. overlap 20-40 mm



Faltstempel der Folder of **745-34**

Ausgabe Edition 03.04

S

Blatt Page 1

Ersetzt Ausgabe Replaced edition 09.03

Fortsetzung Blatt 2 Continued page

| Faltstempel / folder | | Faltstempel Folder | | | Nahabstand [mm] Seam distance [mm] | Faltstempelmaß [mm] (Sohlenmaß) Folder size [mm] | | Stoffdurchgang [mm] 2) Fabric passage [mm] | | Greifstempel Pick up attachment | Sohle Sole | Faltstempel Folder | Sohle Sole | Sohlen extra breit 1) Sole extra wide | | | |
|----------------------|--------------------|--------------------|---|----|---------------------------------------|--|------|---|---|------------------------------------|---------------|-----------------------|---------------|--|---|--|--|
| S - Nr. S - No. | Version Version | | | NA | | a | b | c | d | | | | | a | b | | |
| S34 | - D | X | | | 12 | 4,5 | 4,5 | | | | | 0793 025532 | 0793 025534 | | | | |
| S65 | - A | X | | | 12 | 5 | 5 | 5,5 | 4 | | | 0793 025993 | 0793 026000 | | | | |
| S89 ³⁾ | - A | X | | | 10 | 4 | 4 | 3,5 | 2 | | | 0793 026293 | 0745 541110 | | | | |
| S90 ³⁾ | - A | | X | | 10 | | 8,5 | 3,5 | 2 | | | 0793 026343 | 0745 541140 | | | | |
| S91 ³⁾ | - A | X | | | 12 | 5 | 5 | 4,5 | 3 | | | 0793 026363 | 0745 541210 | | | | |
| S92 ³⁾ | - A | | X | | 12 | | 10,5 | 4,5 | 3 | | | 0793 026383 | 0745 541250 | | | | |
| S93 ³⁾ | - A | X | | | 14 | 6 | 6 | 5,5 | 4 | | | 0793 026403 | 0745 541310 | | | | |
| S94 ³⁾ | - A | | X | | 14 | | 12 | 5,5 | 4 | | | 0793 026423 | 0745 541330 | | | | |

- 1) Extra breite Sohlen für sehr dünnes Nähgut bzw. Taschen ohne Patte in Zusatzausstattung lieferbar. Weiteres auf Anfrage.
Extra wide soles for very thin material or pockets without flap available as optional equipment. Others on request.
- 2) Stoffdurchführung = Engste Stelle am Faltstempel zur Führung des Nähgutes
Fabric passage = narrowest area at the folder for guiding the material
- 3) Nählänge 220 mm / Sewing length 220 mm

= Änderung / Modification



Faltstempel der Folder of 745-34

Ausgabe
Edition
03.04

S

Blatt
Page
2

Ersetzt Ausgabe
Replaced edition
09.03

Fortsetzung Blatt
Continued page
3

| Faltstempel / folder | | Faltstempel Folder | | NA | Faltstempelmaß (mm) Folder size (mm) | | Stoffdurchgang (mm) ²⁾ Fabric passage (mm) | | Greifstempel Pick up attachment | Sohle Sole | Faltstempel Folder | Sohle Sole | Sohlen extra breit 1) Sole extra wide | | | |
|----------------------|--------------------|-----------------------|---|----|---|------|--|-----|------------------------------------|---------------|-----------------------|---------------|--|---|----------------------------------|---|
| S - Nr. S - No. | Version Version | | | | a | b | c | d | | | | | a | b | Sohlenmaß (mm) Sole size (mm) | Sohle Greifstempel Sole pick-up folder |
| S97 | - A | X | | 10 | 4 | 4 | 3,5 | 2 | | | 0793 026463 | 0745 541100 | | | | |
| S100 | - A | X | | 12 | 5 | 5 | 4,5 | 3 | | | 0793 026503 | 0745 5412 00 | | | | |
| S109 ³⁾ | - A | | X | 12 | 10,5 | | 3 | 4,5 | | | 0793 026703 | 0745 541260 | | | | |
| S110 | - A | | X | 10 | | 8,5 | 3,5 | 2 | | | 0793 026713 | 0745 541120 | | | | |
| S111 | - A | | X | 12 | | 10,5 | 4,5 | 3 | | | 0793 026723 | 0745 541230 | | | | |
| S112 | - A | X | | 14 | 6 | 6 | 5,5 | 4 | | | 0793 026733 | 0745 541300 | | | | |
| S113 | - A | | X | 14 | | 12 | 5,5 | 4 | | | 0793 026743 | 0745 541320 | | | | |
| S114 | - A | X | | 16 | 6,5 | 6,5 | 6,5 | 5 | | | 0793 026753 | 0745 541400 | | | | |

- 1) Extra breite Sohlen für sehr dünnes Nähgut bzw. Taschen ohne Patte in Zusatzausstattung lieferbar. Weiteres auf Anfrage.
Extra wide soles for very thin material or pockets without flap available as optional equipment. Others on request.
- 2) Stoffdurchführung = Engste Stelle am Faltstempel zur Führung des Nähgutes
Fabric passage = narrowest area at the folder for guiding the material
- 3) Nählänge 220 mm / Sewing length 220 mm

= Änderung / Modification



Faltstempel der Folder of 745-34

Ausgabe
Edition
03.04

S

Blatt 3
Page

Ersetzt Ausgabe
Replaced edition
09.03

Fortsetzung Blatt 4
Continued page

| Faltstempel / folder | | Faltstempel Folder | | NA | Faltstempelmaß (mm) (Sohlenmaß) Folder size (mm) | | 2) Stoffdurchgang (mm) Fabric passage (mm) | | Greifstempel Pick up attachment | Sohle Sole | Faltstempel Folder | Sohle Sole | Sohlen extra breit 1) Sole extra wide | | Sohlenmaß (mm) Sole size (mm) | Sohle Greifstempel Sole pick-up folder | Sohle Faltstempel Sole folder |
|----------------------|--------------------|--------------------|---|----|--|-----|--|---|------------------------------------|---------------|-----------------------|---------------|--|---|----------------------------------|---|----------------------------------|
| S - Nr. S - No. | Version Version | | | | a | b | c | d | | | | | a | b | | | |
| S115 | - A | | X | 16 | 14 | 6,5 | 5 | | | 0793 026763 | 0745 541420 | | | | | | |
| S116 | - A | X | | 20 | 8,5 | 8,5 | 8,5 | 7 | | 0793 026773 | 0745 541500 | | | | | | |
| S117 | - A | | X | 20 | 18,5 | 8,5 | 7 | | | 0793 026783 | 0745 541520 | | | | | | |
| S118 ³⁾ | - A | X | | 16 | 6,5 | 6,5 | 6,5 | 5 | | 0793 026793 | 0745 541410 | | | | | | |
| S119 ³⁾ | - A | | X | 16 | 14 | 6,5 | 5 | | | 0793 026803 | 0745 541430 | | | | | | |
| S120 ³⁾ | - A | | X | 16 | 14 | 6,5 | 5 | | | 0793 026813 | 0745 541440 | | | | | | |
| S121 ³⁾ | - A | X | | 20 | 8,5 | 8,5 | 8,5 | 7 | | 0793 026823 | 0745 541510 | | | | | | |
| S122 ³⁾ | - A | | X | 20 | 18,5 | 8,5 | 7 | | | 0793 026833 | 0745 541530 | | | | | | |

- 1) Extra breite Sohlen für sehr dünnes Nähgut bzw. Taschen ohne Patte in Zusatzausstattung lieferbar. Weiteres auf Anfrage.
Extra wide soles for very thin material or pockets without flap available as optional equipment. Others on request.
- 2) Stoffdurchführung = Engste Stelle am Faltstempel zur Führung des Nähgutes
Fabric passage = narrowest area at the folder for guiding the material
- 3) Nählänge 220 mm / Sewing length 220 mm

= Änderung / Modification



Faltstempel der Folder of **745-34**

Ausgabe Edition 03.04

S

Blatt Page 4

Ersetzt Ausgabe Replaced edition 09.03

Fortsetzung Blatt 5 Continued page

| Faltstempel / folder | | Faltstempel Folder | | Nahabstand (mm) Seam distance (mm) | Faltstempelmaß (mm) (Sohlenmaß) Folder size (mm) | | Stoffdurchgang (mm) Fabric passage (mm) 2) | | Greiffaltstempel Pick up attachment | Sohle Sole | Faltstempel Folder | Sohle Sole | Sohlen extra breit 1) Sole extra wide | | Sohle Greiffaltstempel Sole pick-up folder | Sohle Faltstempel Sole folder |
|----------------------|-----------------|--------------------|---|------------------------------------|--|-----|--|---|-------------------------------------|-------------|--------------------|------------|---------------------------------------|---|--|-------------------------------|
| S - Nr. S - No. | Version Version | | | | a | b | c | d | | | | | a | b | | |
| S123 | - A | | X | 20 | 18,5 | 8,5 | 7 | | | 0793 026843 | 0745 541540 | | | | | |
| S124 | - A | X | | 10 | 4 | 4 | | | | 0793 026883 | 0793 026888 | | | | | |
| S125 | - A | X | | 12 | 5 | 5 | | | | 0793 026893 | 0793 026896 | | | | | |
| S126 | - A | X | | 14 | 6 | 6 | | | | 0793 026903 | 0793 026906 | | | | | |
| S154 | - A | X | | 10 | 4 | 4 | 2 3,5 | | | 0745 547754 | 0745 541100 | | | | | |
| S155 | - A | | X | 10 | 8,5 | | 2 3,5 | | | 0745 547764 | 0745 541130 | | | | | |
| S156 | - A | X | | 12 | 5 | 5 | 3 4,5 | | | 0745 547774 | 0745 541200 | | | | | |
| S157 | - A | | X | 12 | 10,5 | 5 | 3 4,5 | | | 0745 547784 | 0745 541240 | | | | | |

- 1) Extra breite Sohlen für sehr dünnes Nähgut bzw. Taschen ohne Patte in Zusatzausstattung lieferbar. Weiteres auf Anfrage.
 Extra wide soles for very thin material or pockets without flap available as optional equipment. Others on request.
- 2) Stoffdurchführung = Engste Stelle am Faltstempel zur Führung des Nähgutes
 Fabric passage = narrowest area at the folder for guiding the material
- 3) Nählänge 220 mm / Sewing length 220 mm

= Änderung / Modification



Faltstempel der Folder of 745-34

Ausgabe Edition 03.04

S

Blatt Page 5

Ersetzt Ausgabe Replaced edition 09.03

Fortsetzung Blatt Continued page 6

| S - Nr. S - No. | | Version Version | Faltstempel / folder | | Faltstempel Folder | | Nähtabstand (mm) Seam distance (mm) | Faltstempelmaß (mm) (Sohlenmaß) Folder size (mm) | | Stoffdurchgang (mm) Fabric passage (mm) 2) | | Greifstempel Pick up attachment | Sohle Sole | Faltstempel Folder | Sohle Sole | Sohlen extra breit 1) Sole extra wide | |
|-----------------|-----|-----------------|----------------------|---|--------------------|--|-------------------------------------|--|------|--|----|---------------------------------|------------|--------------------|-------------|---------------------------------------|---|
| | | | | | | | NA | a | b | c | d | | | | | a | b |
| S160 | - A | X | | | | | 24 | 10,5 | 10,5 | 10,5 | 9 | | | 0745 548404 | 0745 541950 | | |
| S161 | - A | | | X | | | 24 | 22,5 | | 10,5 | 9 | | | 0745 548414 | 0745 541970 | | |
| S162 | - A | | | | X | | 24 | | 22,5 | 10,5 | 9 | | | 0745 548424 | 0745 541810 | | |
| S163 | - A | X | | | | | 26 | 11,5 | 11,5 | 11,5 | 10 | | | 0745 548434 | 0745 541990 | | |
| S164 | - A | | | X | | | 26 | 24,5 | | 11,5 | 10 | | | 0745 548444 | 0745 541980 | | |
| S165 | - A | | | | X | | 26 | | 24,5 | 11,5 | 10 | | | 0745 548454 | 0745 541920 | | |
| S166 | - A | X | | | | | 30 | 13,5 | 13,5 | 13,5 | 12 | | | 0745 548484 | 0745 541960 | | |
| S167 | - A | | | X | | | 30 | 28,5 | | 13,5 | 12 | | | 0745 548474 | 0745 541600 | | |

- 1) Extra breite Sohlen für sehr dünnes Nähgut bzw. Taschen ohne Patte in Zusatzausstattung lieferbar. Weiteres auf Anfrage.
 Extra wide soles for very thin material or pockets without flap available as optional equipment. Others on request.
- 2) Stoffdurchführung = Engste Stelle am Faltstempel zur Führung des Nähgutes
 Fabric passage = narrowest area at the folder for guiding the material

= Änderung / Modification



Faltstempel der Folder of **745-34**

Ausgabe Edition 03.04

S

Blatt Page 6

Ersetzt Ausgabe Replaced edition 09.03

Fortsetzung Blatt Continued page 7

| Faltstempel / folder | | Faltstempel Folder | | NA | Faltstempelmaß (mm) (Sohlenmaß) Folder size (mm) | | Stoffdurchgang (mm) 2) Fabric passage (mm) | | Greifstempel Pick up attachment | Sohle Sole | Faltstempel Folder | Sohle Sole | Sohlen extra breit 1) Sole extra wide | | Sohle Greifstempel Sole pick-up folder | Sohle Faltstempel Sole folder |
|----------------------|-----------------|--------------------|---|----|--|-----|--|-----|---------------------------------|----------------------------|--------------------|-------------|---------------------------------------|---|--|-------------------------------|
| S - Nr. S - No. | Version Version | | | | a | b | c | d | | | | | a | b | | |
| S168 | - A | | X | 30 | 4 | 4 | 13,5 | 12 | | | 0745 548484 | 0745 541630 | | | | |
| S330 | - B; -F | X | | 10 | 4 | 4 | 3,5 | 2 | 0745 548054 | 0745 542100 | 0745 548204 | 0745 542700 | | | | |
| S331 | - B | X | | 10 | 4 | 4 | 2 | 3,5 | 0745 548054 | 0745 542100 | 0745 548214 | 0745 542700 | | | | |
| S332 | - B; -F | | X | 10 | | 8,5 | 3,5 | 2 | 0745 548104 | 0745 542150 | 0745 548224 | 0745 542750 | | | | |
| S333 | - B | | X | 10 | 8,5 | | 2 | 3,5 | 0745 548154 | 0745 542220 | 0745 548234 | 0745 542800 | | | | |
| S334 | - B; -F | X | | 10 | 4 | 4 | 3,5 | 2 | 0745 548004 | 0745 542000 0745 542010 | 0745 548204 | 0745 542700 | | | | |
| S335 | - B | X | | 10 | 4 | 4 | 2 | 3,5 | 0745 548004 | 0745 542000 0745 542010 | 0745 548214 | 0745 542700 | | | | |

- 1) Extra breite Sohlen für sehr dünnes Nähgut bzw. Taschen ohne Patte in Zusatzausstattung lieferbar. Weiteres auf Anfrage.
Extra wide soles for very thin material or pockets without flap available as optional equipment. Others on request.
- 2) Stoffdurchführung = Engste Stelle am Faltstempel zur Führung des Nähgutes
Fabric passage = narrowest area at the folder for guiding the material

= Änderung / Modification



Faltstempel der Folder of 745-34

Ausgabe
Edition
03.04

S

Blatt
Page
7

Ersetzt Ausgabe
Replaced edition
09.03

Fortsetzung Blatt
Continued page
8

| S - Nr. S - No. | | Version Version | Faltstempel / folder | | Faltstempel Folder | | Nahabstand (mm) Seam distance (mm) | | Faltstempelmaß (mm) (Sohlenmaß) Folder size (mm) | | Stoffdurchgang (mm) ²⁾ Fabric passage (mm) | | Greifstempel Pick up attachment | | Sohle Sole | | Faltstempel Folder | | Sohle Sole | | Sohlen extra breit Sole extra wide ¹⁾ | |
|--------------------|----------|--------------------|----------------------|---|-----------------------|--|---------------------------------------|------|--|-----|--|-------------|------------------------------------|-------------|---------------|---|-----------------------|--|---------------|--|---|--|
| | | | | | | | NA | a | b | c | d | | | | | a | b | | | | | |
| S337 | - B; - F | X | | | | | 12 | 5 | 5 | 4,5 | 3 | 0745 548064 | 0745 542110 | 0745 548244 | 0745 542710 | | | | | | | |
| S338 | - B | X | | | | | 12 | 5 | 5 | 3 | 4,5 | 0745 548064 | 0745 542110 | 0745 548254 | 0745 542710 | | | | | | | |
| S339 | - B; - F | | | X | | | 12 | | 10,5 | 4,5 | 3 | 0745 548114 | 0745 542160 | 0745 548264 | 0745 542760 | | | | | | | |
| S340 | - B | | X | | | | 12 | 10,5 | | 3 | 4,5 | 0745 548164 | 0745 542210 | 0745 548274 | 0745 542810 | | | | | | | |
| S341 | - B; - F | X | | | | | 12 | 5 | 5 | 4,5 | 3 | 0745 548014 | 0745 542020 0745 542030 | 0745 548244 | 0745 542710 | | | | | | | |
| S342 | - B | X | | | | | 12 | 5 | 5 | 3 | 4,5 | 0745 548014 | 0745 542020 0745 542030 | 0745 548254 | 0745 542710 | | | | | | | |
| S345 | - B | X | | | | | 14 | 5,5 | 5,5 | 5,5 | 4 | 0745 548074 | 0745 542120 | 0745 548284 | 0745 542720 | | | | | | | |

- 1) Extra breite Sohlen für sehr dünnes Nähgut bzw. Taschen ohne Patte in Zusatzausstattung lieferbar. Weiteres auf Anfrage.
Extra wide soles for very thin material or pockets without flap available as optional equipment. Others on request.
- 2) Stoffdurchführung = Engste Stelle am Faltstempel zur Führung des Nähgutes
Fabric passage = narrowest area at the folder for guiding the material

= Änderung / Modification



Faltstempel der Folder of **745-34**

Ausgabe Edition 03.04

S

Blatt Page 8

Ersetzt Ausgabe Replaced edition 08.03

Fortsetzung Blatt Continued page —

| Faltstempel / folder | | Faltstempel Folder | | | | Nahtabstand [mm] Seam distance [mm] | Faltstempelmaß [mm] (Sohlenmaß) Folder size [mm] | | Stoffdurchgang [mm] 2) Fabric passage [mm] | | Greifstempel Pick up attachment | Sohle Sole | Faltstempel Folder | Sohle Sole | Sohlen extra breit 1) Sole extra wide | | |
|----------------------|--------------------|--------------------|---|---|----|--|--|-----|---|-------------|------------------------------------|---------------|-----------------------|---------------|--|---|--|
| S - Nr. S - No. | Version Version | | | | NA | | a | b | c | d | | | | | a | b | |
| S346 | - B | | X | | 14 | 12 | | 5,5 | 4 | 0745 548174 | 0745 542220 | 0745 548294 | 0745 542820 | | | | |
| S347 | - B | | | X | 14 | | 12 | 5,5 | 4 | 0745 548124 | 0745 542170 | 0745 548304 | 0745 542770 | | | | |
| S348 | - B | X | | | 16 | 6,5 | 6,5 | 6,5 | 5 | 0745 548084 | 0745 542130 | 0745 548314 | 0745 542730 | | | | |
| S349 | - B | | X | | 16 | 14 | | 6,5 | 5 | 0745 548184 | 0745 542130 | 0745 548324 | 0745 542830 | | | | |
| S350 | - B | | | X | 16 | | 14 | 6,5 | 5 | 0745 548134 | 0745 542180 | 0745 548334 | 0745 542780 | | | | |
| S351 | - B | X | | | 20 | 8,5 | 8,5 | 8,5 | 7 | 0745 548094 | 0745 542140 | 0745 548344 | 0745 542740 | | | | |
| S352 | - B | | X | | 20 | 18,5 | | 8,5 | 7 | 0745 548194 | 0745 542240 | 0745 548354 | 0745 542840 | | | | |
| S353 | - B | | | X | 20 | | 18,5 | 8,5 | 7 | 0745 548144 | 0745 542190 | 0745 548364 | 0745 542790 | | | | |

- 1) Extra breite Sohlen für sehr dünnes Nähgut bzw. Taschen ohne Patte in Zusatzausstattung lieferbar. Weiteres auf Anfrage.
Extra wide soles for very thin material or pockets without flap available as optional equipment. Others on request.
- 2) Stoffdurchführung = Engste Stelle am Faltstempel zur Führung des Nähgutes
Fabric passage = narrowest area at the folder for guiding the material

= Änderung / Modification



Klammern der
Clamps of

745-34

Ausgabe
Edition
02.04

K Blatt
Page 1

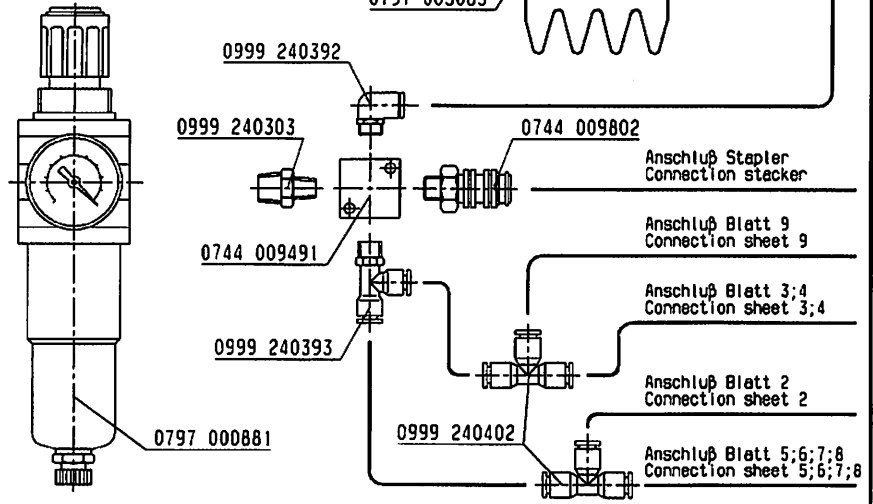
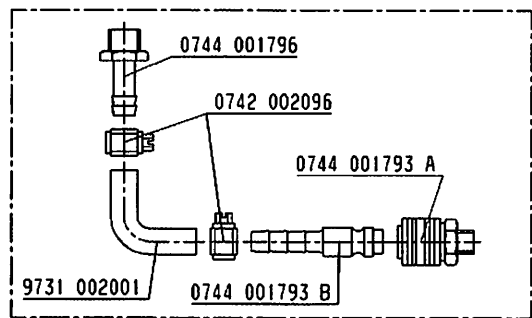
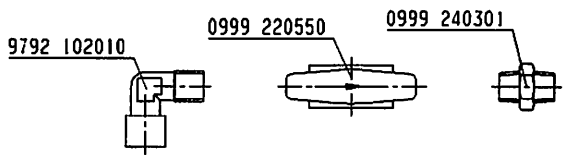
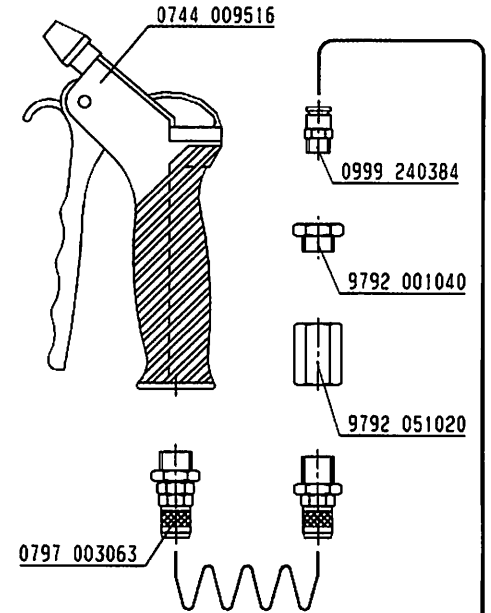
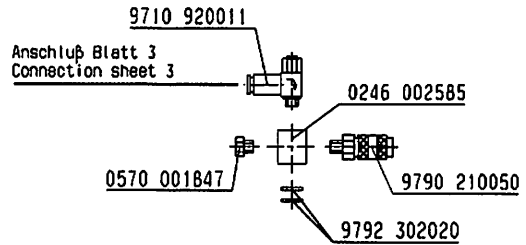
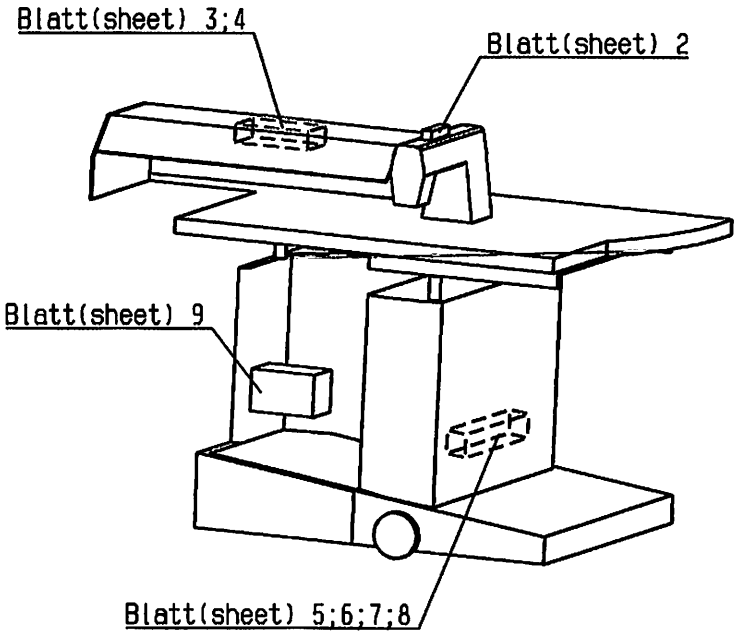
Ersetzt Ausgabe
Replaced edition
04.95

Fortsetzung Blatt --
Continued page

| K-Nr. K-No. | Teile-Nr. Part-No. | Benennung und Beschreibung Denomination and description |
|---|---|---|
| K5 | 0792 008803 | Klammer, links kpl. mit Pattenklemme und speziellen Anschlag für Brustleisten in Sakkos. Clamp, l/h compl. with flap clamp and special stop for breast welts in jackets. |
| | 0792 008853 | Klammer, rechts kpl. Clamp, r/h compl. max. Nählänge 145 mm max. seam length 145 mm |
| K12 | 0792 010003 | Klammer, links kpl. mit Faltblech, ohne Pattenklemme. Clamp, l/h compl. with folding plate, without flap clamp. |
| | 0792 010303 | Klammer, rechts kpl. mit Faltblech, Pattenklemme, Pattenformanschlag. Clamp, r/h compl. with folding plate, flap clamp, stop for flaps of special shape max. Nählänge 180 mm max. seam length 180 mm |
| K13 | 0792 010503 | Klammer, links kpl. mit Faltblech und Pattenklemme. Clamp, l/h compl. with folding plate and flap clamp. |
| | 0792 010653 | Klammer, rechts kpl. mit Faltblech, Pattenklemme. Clamp, r/h compl. with folding plate, flap clamp. max. Nählänge 180 mm max. seam length 180 mm |
| K16 | 0792 010903 | Klammer, links kpl. mit Faltblech und Pattenklemme. Clamp, l/h compl. with folding plate and flap clamp. |
| | 0792 011003 | Klammer, rechts kpl. mit Faltblech und Pattenklemme. Clamp, r/h compl. with folding plate and flap clamp. max. Nählänge 220 mm max. seam length 220 mm |
| K19 | 0792 011183 | Klammer, links kpl. mit Faltblech, ohne Pattenklemme. Clamp, l/h compl. with folding plate, without flap clamp. |
| | 0792 011213 | Klammer, rechts kpl. mit Faltblech, ohne Pattenklemme. Clamp, r/h compl. with folding plate, without flap clamp. |
| | | speziell für Hosenfertigung specially for trousers manufacturing |
| | | max. Nählänge 180 mm max. seam length 180 mm |
| | Anbausatz für Pattenklemme, links Mountingkit for flap clamp, left | 0792 011161 |
| | Anbausatz für Pattenklemme, rechts Mountingkit for flap clamp, right | 0792 011162 |
| K20 | 0792 011183 | Klammer, links kpl. mit Faltblech, ohne Pattenklemme. Clamp, l/h compl. with folding plate, without flap clamp. |
| | 0792 011243 | Klammer, rechts kpl. mit Pattenklemme, Anschlägen für Formpatten und Knopfschlaufen, ohne Faltblech Clamp, r/h compl. with flap clamp, stops for flaps of special shape and button loops, without folding plate max. Nählänge 180mm max. seam length 180mm |
| NUR ALS ZUSATZAUSSTATTUNG ERHÄLTlich ONLY AVAILABLE AS AN OPTIONAL EQUIPMENT | | |

= Änderung / Modification


For these technical drawings we reserve the right to change the parts without notice according to DIN 34, Absatz 2.1 vor.



| | |
|------------------|---|
| Schlauch Hose | Teile-Nr. (Meterware) Part -no. (yarded-goods) |
| PU4 | 9731 006004 |

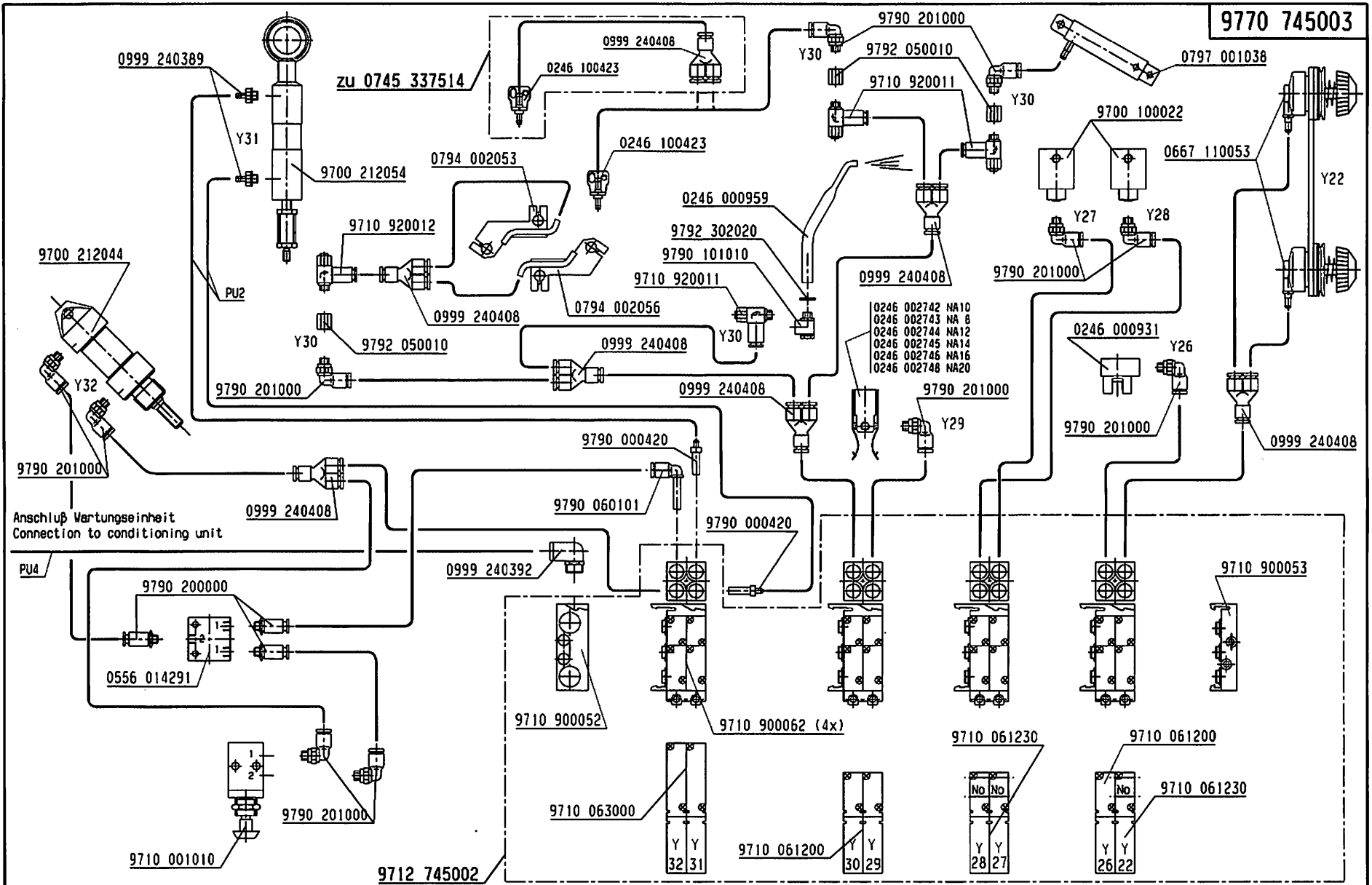
0797 003031
auf Wunsch
on request

| | | | | | | | |
|--|----------|------|--------|-------|-------|------|------|
| Tag | 01.09.03 | gez. | Höltke | gepr. | Dieke | gez. | Kley |
| Pneum.-Geräteplan für 0745 407644 zu Kl. 0745-34 | | | | | | | |
| Pneum.-elements-plan for 0745 407644 to cl. 0745-34 | | | | | | | |


DÜRKOPP ADLER AG
9770 745003
Blatt 1 Blattz. 9


Für diese technische Unterlage behalten wir uns den Urheberrechtsschutz gemäß DIN 34, Absatz 2.1 vor.

9770 745003



| Schlauch Hose | Teile-Nr. (Meterware) Part -no. (yarded-goods) | Tag | 01.09.03 | gez. | Höltke | gepr. | Diskorn | gez. | Fleury |
|------------------|---|-----|----------|------|--------|-------|---------|------|--------|
| PU2 | 0699 979265 | | | | | | | | |
| PU3 | 9731 005004 | | | | | | | | |
| PU4 | 9731 006004 | | | | | | | | |

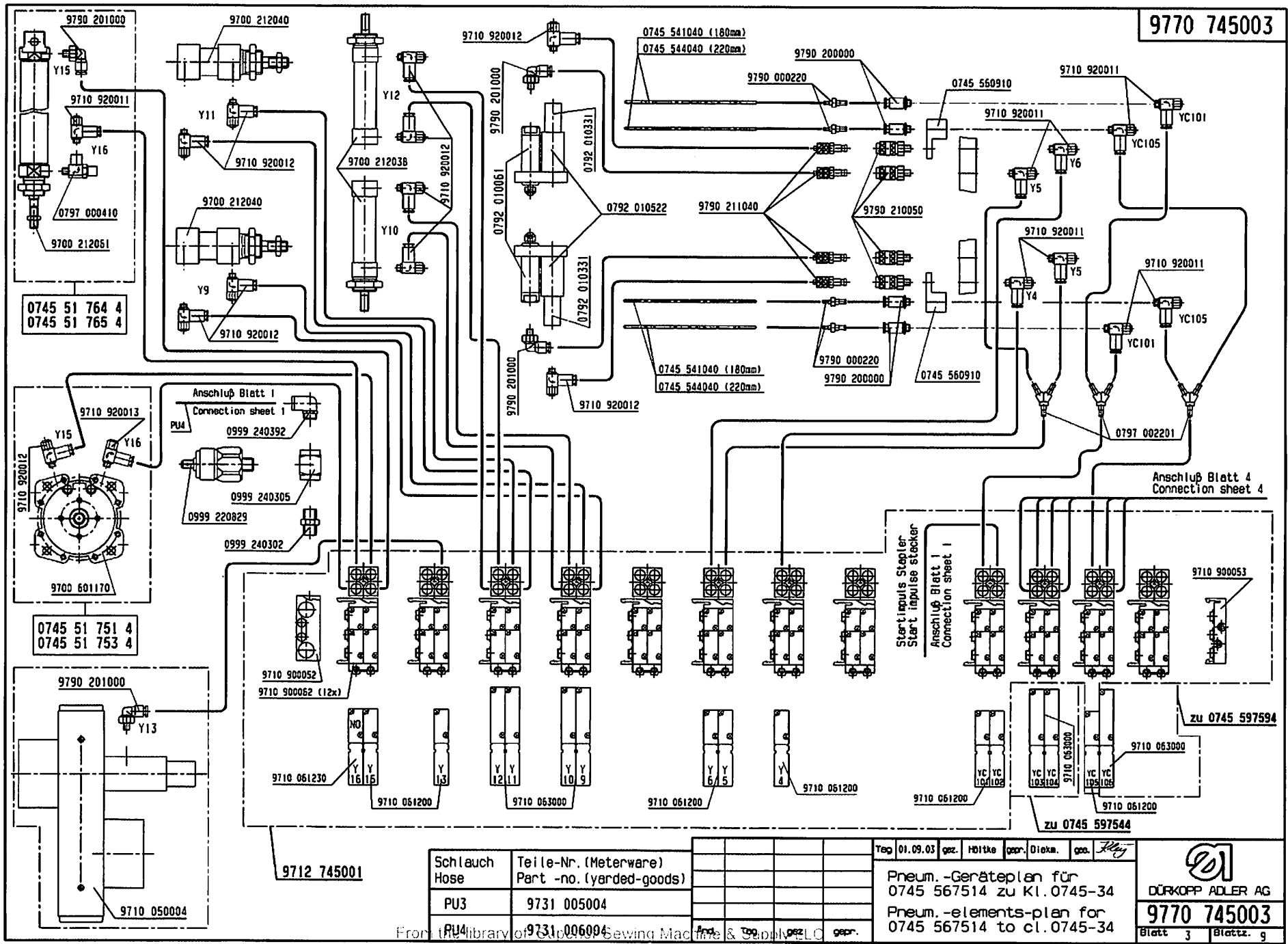
Pneum.-Geräteplan für
0246 992002 zu Kl. 0745-34 Nähkopf
Pneum.-elements-plan for
0246 992002 to cl. 0745-34 sewing-head



DÜRKOPP ADLER AG
9770 745003
Blatt 2 Blattz. 9

From the library of Superior Sewing Machine & Supply LLC


Für diese technische Unterlage behalten wir uns den Urheberrechtsschutz gemäß DIN 34, Absatz 2.1 vor.



9712 745001

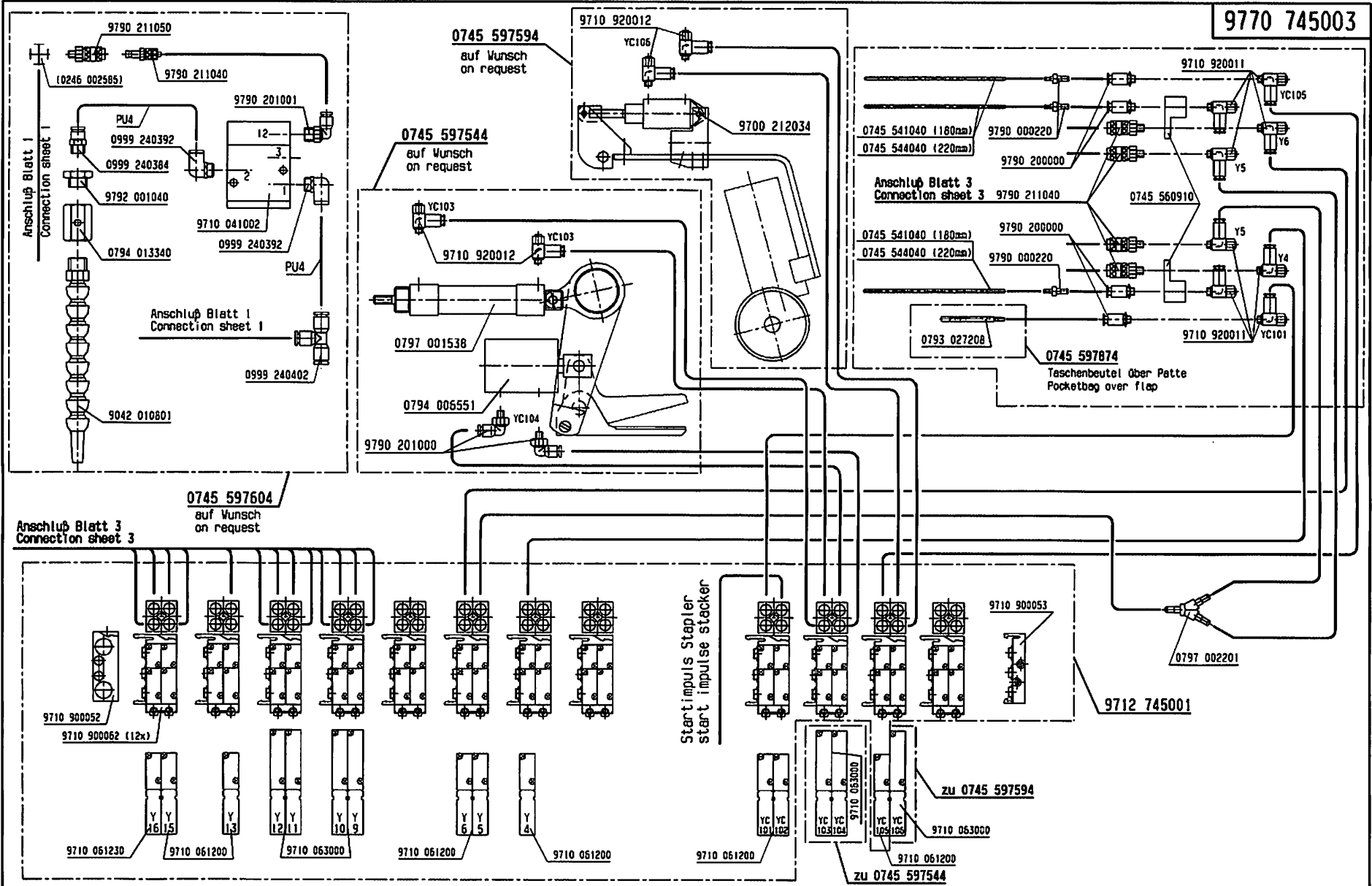
| Schlauch Hose | Teile-Nr. (Meterware) Part -no. (yarded-goods) | gepr. | gepr. | gepr. | gepr. | gepr. |
|------------------|---|-------|-------|-------|-------|-------|
| PU3 | 9731 005004 | | | | | |
| PU4 | 9731 006004 | | | | | |

| Typ | 01.09.03 | gepr. | H01ke | gepr. | Diexm. | gepr. | Key |
|--|----------|-------|-------|-------|--------|-------|-----|
| Pneum.-Geräteplan für 0745 567514 zu Kl. 0745-34 | | | | | | | |
| Pneum.-elements-plan for 0745 567514 to cl. 0745-34 | | | | | | | |


DÜRKOPP ADLER AG
9770 745003
 Blatt 3 Blattz. 9

From the library of Superior Sewing Machine & Supply LLC

Für diese technische Unterlage behalten wir uns den Urheberrechtsschutz gemäß DIN 34, Absatz 2.1 vor.



| Schlauch Hose | Teile-Nr. (Meterware) Part -no. (yarded-goods) | Tag | 01.09.03 | gez. | Hölzke | gepr. | Dietz. | gez. | Kley |
|------------------|---|-----|----------|------|--------|-------|--------|------|------|
| PU3 | 9731 005004 | | | | | | | | |
| PU4 | 9731 006004 | | | | | | | | |

Pneum.-Geräteplan für
0745 567514 zu Kl. 0745-34
Pneum.-elements-plan for
0745 567514 to cl. 0745-34

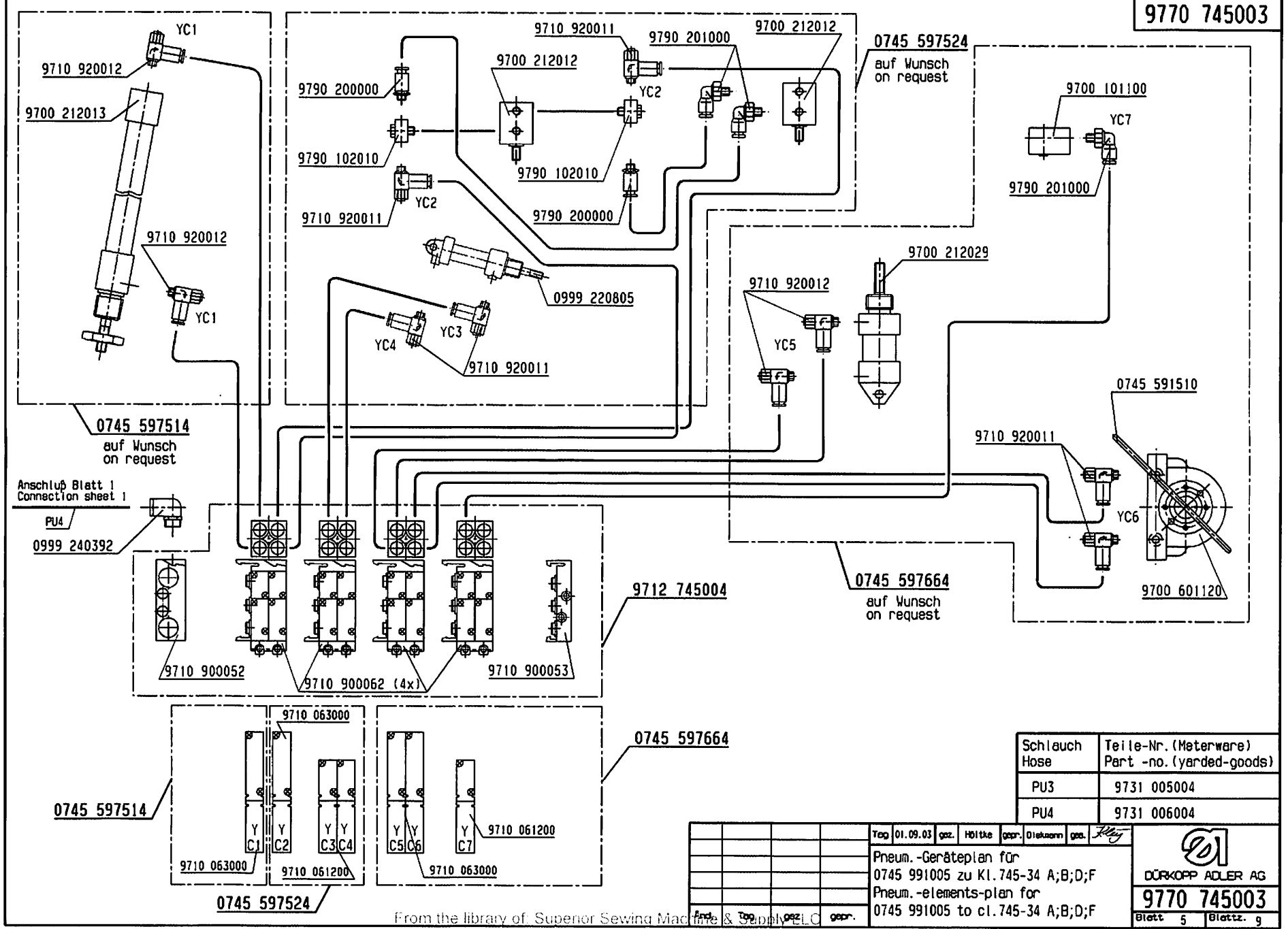
9770 745003

DÜRKOPP ADLER AG

9770 745003

Blatt 4 Blattz. 9

Für diese technische Unterlage behalten wir uns den Urheberrechtsschutz gemäß DIN 34, Absatz 2.1 vor.



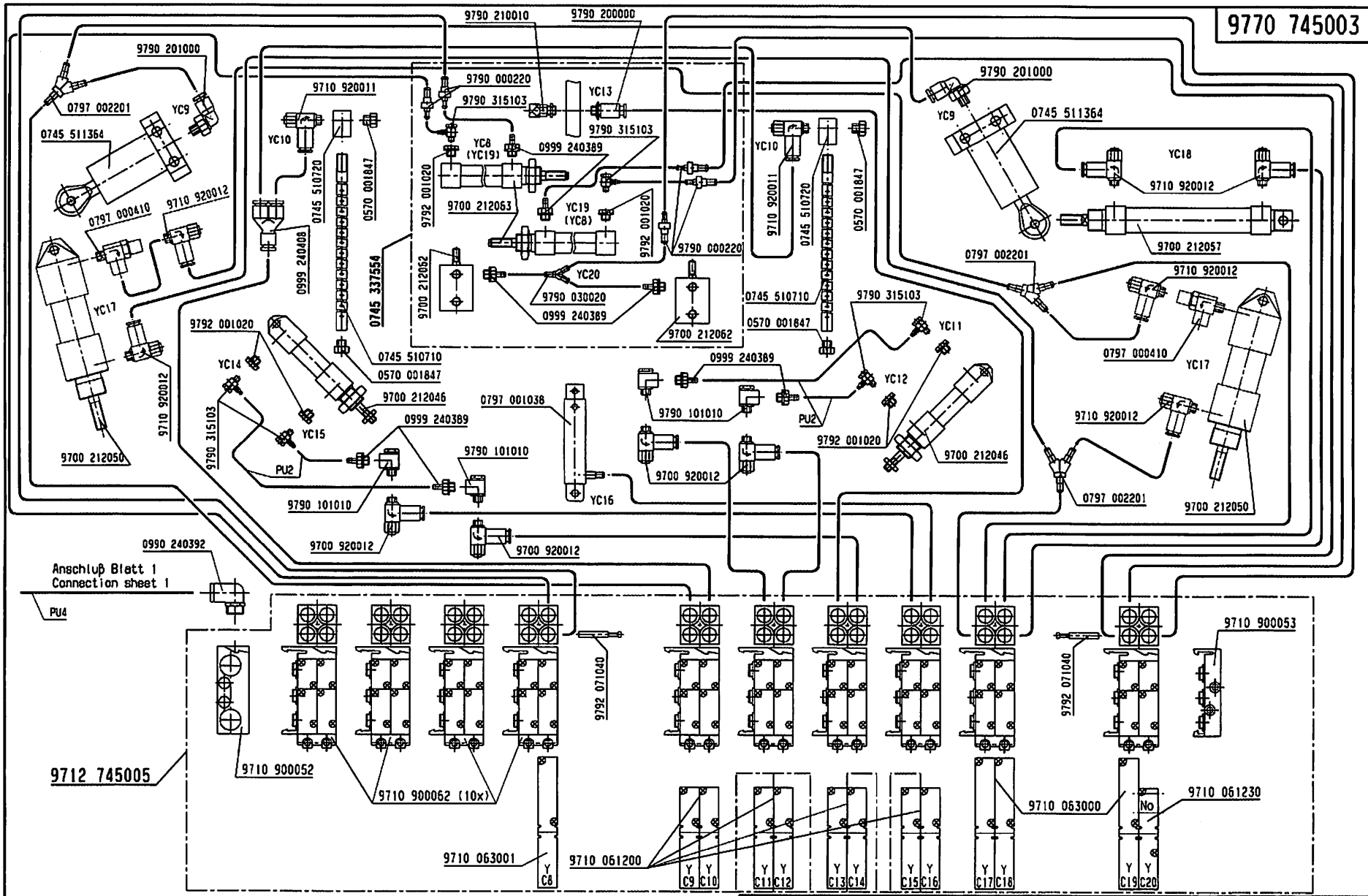
| Schlauch Hose | Teile-Nr. (Meterware) Part -no. (yarded-goods) |
|---------------|--|
| PU3 | 9731 005004 |
| PU4 | 9731 006004 |

| Tag | 01.09.03 | gez. | Hdlrke | gepr. | Direktzonn | gez. | Key |
|-----|----------|------|--------|-------|------------|------|-----|
| | | | | | | | |

Pneum.-Geräteplan für
0745 991005 zu Kl. 745-34 A;B;D;F
Pneum.-elements-plan for
0745 991005 to cl. 745-34 A;B;D;F

DÜRKOPP ADLER AG
9770 745003
Blatt 5 Blattz. 9

Für diese technische Unterlage behalten wir uns den Urheberrechtsschutz gemäß DIN 34, Absatz 2.1 vor.



Anschluß Blatt 1
Connection sheet 1

9712 745005

| Schlauch Hose | Teile-Nr. (Meterware) Part-No. (Yarded goods) |
|------------------|--|
| PU 2 | 0699 979265 |
| PU 3 | 9731 005004 |
| PU 4 | 9731 005004 |

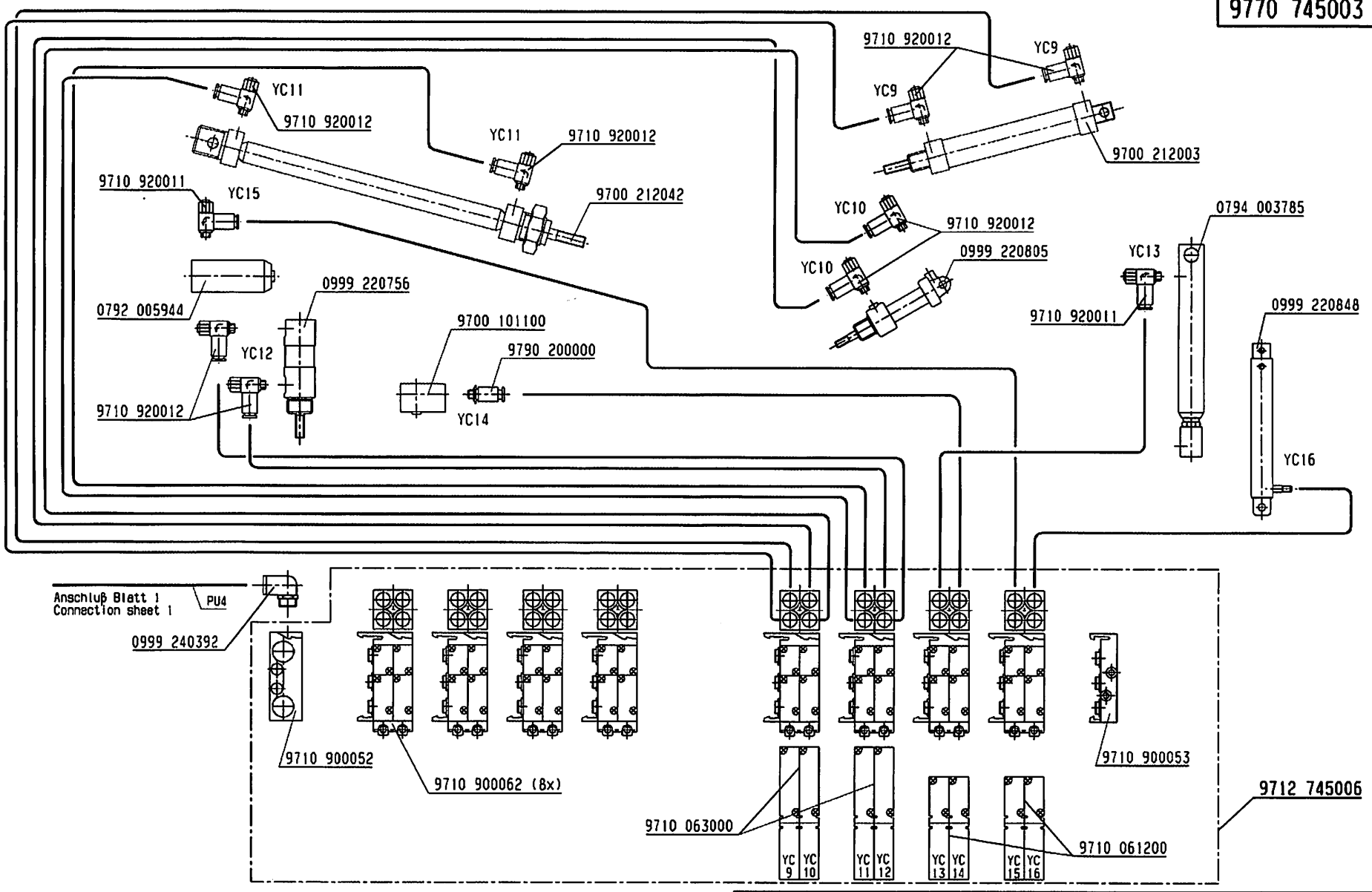
Teil 01.09.03 gsz. Hiltke gsz. Diekmann gsz. Key
 Pneum.-Geräteplan für
 0745 517644 zu Kl. 0745-34-B
 Pneum.-elements-plan
 0745 517644 to cl. 0745-34-B

DÜRKOPP ADLER AG
9770 745003
 Blatt 6 Blattz. 9

From the library of Superior Sewing Machine & Supply LLC

Für diese technische Unterlage benötigen wir den Urheberrechtsschutz gemäß DIN 34, Absatz 2.1 vor.


9770 745003



Anschluß Blatt 1
Connection sheet 1

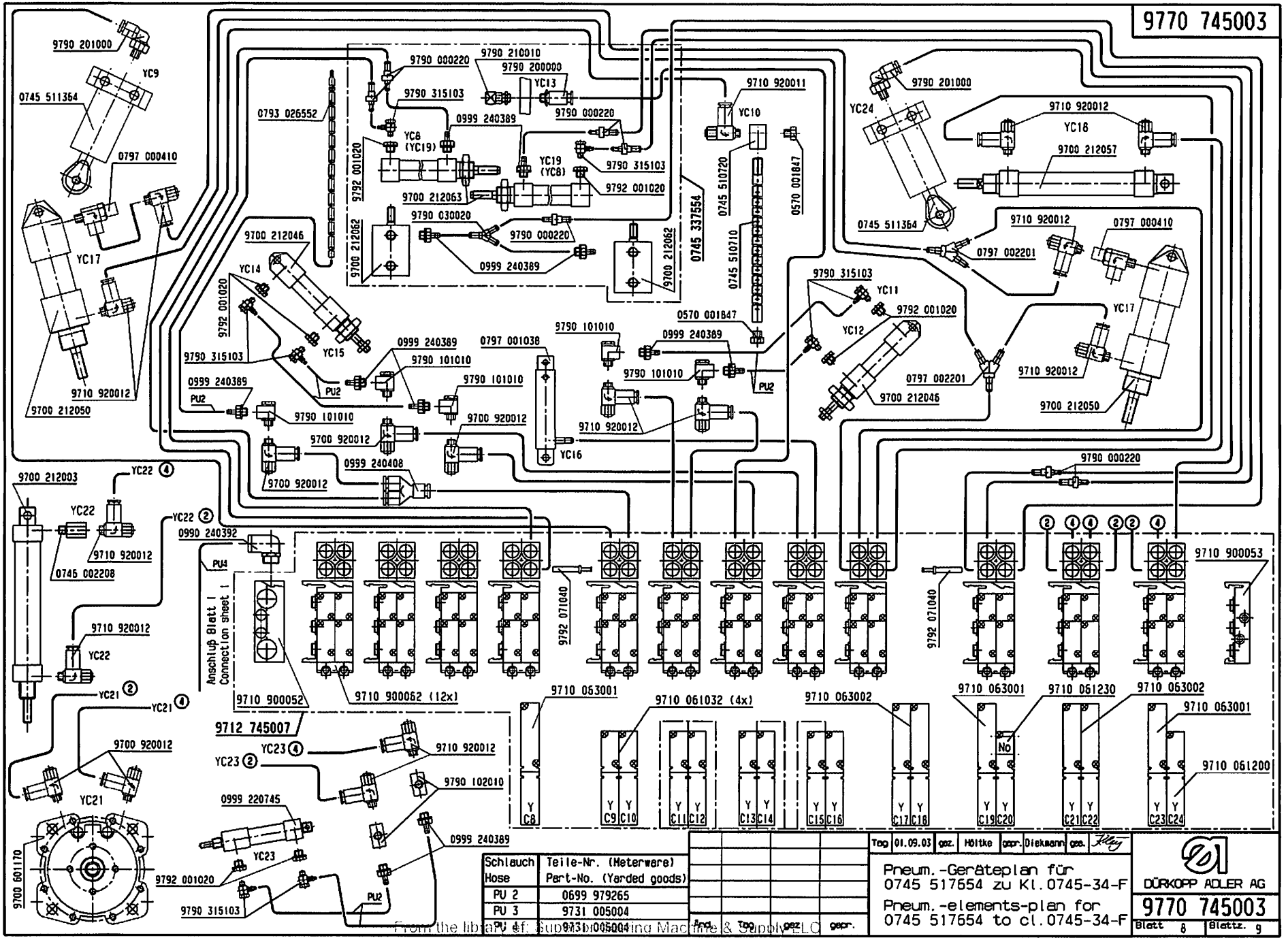
| Schlauch Hose | Teile-Nr. (Meterware) Part -no. (yarded-goods) | Top | 01.09.03 | gez. | Holtke | gepr. | Dieter | gez. | Key |
|------------------|---|-----|----------|------|--------|-------|--------|------|-----|
| PU3 | 9731 005004 | | | | | | | | |
| PU4 | 9731 006004 | | | | | | | | |

Pneum.-Geräteplan für
0745 517634 zu Kl. 745-34-D
Pneum.-elements-plan for
0745 517634 to cl. 745-34-D


DÜRKOPP ADLER AG
9770 745003
Blatt 7 | Blattz. 9

From the library of: Superior Sewing Machine & Supply LLC

Für diese technische Unterlage behalten wir uns den Urheberrechtsschutz gemäß DIN 34, Absatz 2.1 vor.

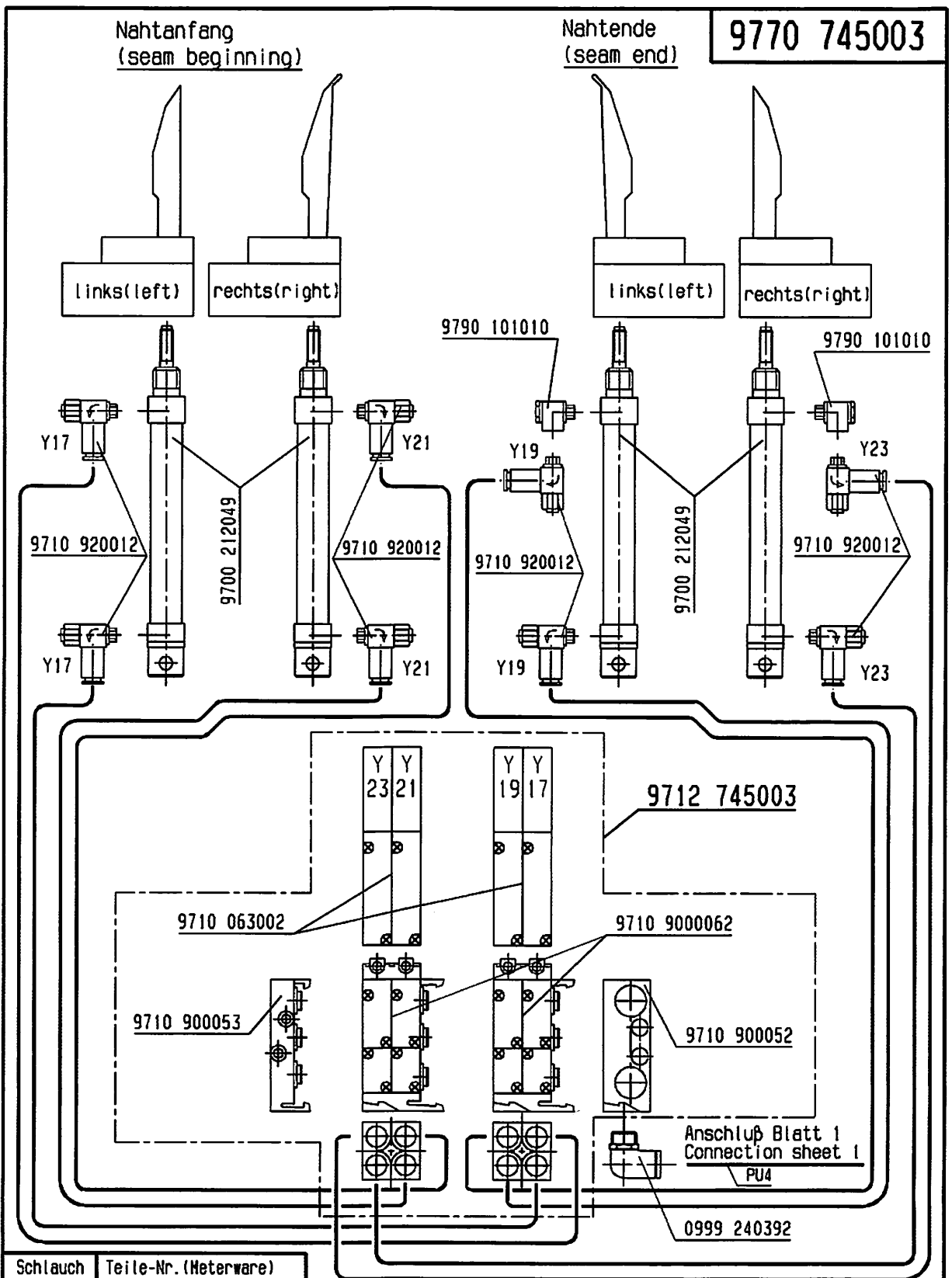


| Schlauch / Hose | Teile-Nr. (Meterware) / Part-No. (Yarded goods) |
|-----------------|---|
| PU 2 | 0699 979265 |
| PU 3 | 9731 005004 |
| PU 4 | 9731 005004 |

Tag 01.09.03 gez. Hiltke gep. Diekmann gez. Key
 Pneum.-Geräteplan für 0745 517654 zu Kl. 0745-34-F
 Pneum.-elements-plan for 0745 517654 to cl. 0745-34-F

DÜRKOPP ADLER AG
9770 745003
 Blatt 8 Blattz. 9

Für diese technische Unterlage behalten wir uns den Urheberrechtsschutz gemäß DIN 34, Absatz 2.1 vor.



| | |
|------------------|---|
| Schlauch Hose | Teile-Nr. (Meterware) Part -no. (yarded-goods) |
| PU3 | 9731 005004 |
| PU4 | 9731 006004 |

| | | | | | | | |
|--|----------|------|--------|-------|----------|------|-------------|
| Tag | 01.09.03 | gez. | Höltke | gepr. | Diekmann | ges. | <i>Fley</i> |
| Pneum. Geräteplan für 0745 337524 u. 0745 337534 zu Kl. 0745-34 | | | | | | | |
| Pneum. -elements-plan for 0745 337524 a. 0745 337534 to cl. 0745-34 | | | | | | | |
| And. | Tag | gez. | gepr. | | | | |


9770 745003

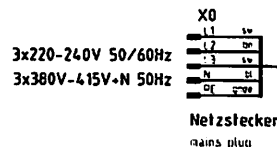
9712 745003

Anschluß Blatt 1
Connection sheet 1
PU4

0999 240392

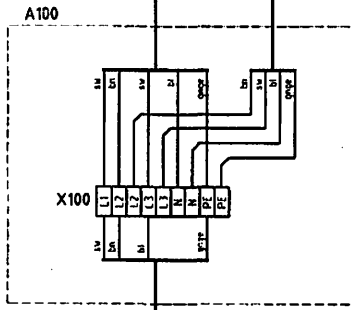
Blatt 9 Blattz. 9


 DÜRKOPP ADLER AG
9770 745003

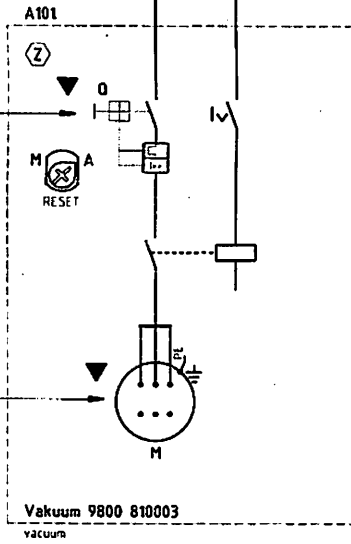
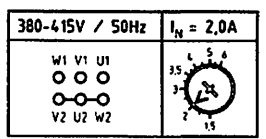
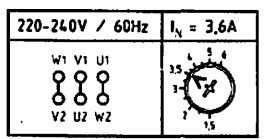
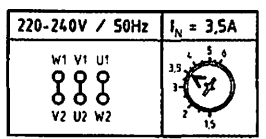


9870 745103 L101

9870 745103 L1
Blatt 2
sheet



Blatt 2
sheet



19. Mai 2003

▼ Hinweise für Umschaltung auf andere Netzspannung beachten!
observe the information on changeover to other main voltages!

⊕ Zusatzeinrichtung
optional equipment

| | | | | |
|----------|------|----------|-----------|----------|
| c | | | Datum | 30.09.99 |
| b | 05.0 | 07.05.03 | Ba/Bearb. | Ba |
| a | 04.0 | 12.02.02 | Hd/Gepr. | |
| Änderung | | Datum | Name | Nachg. |

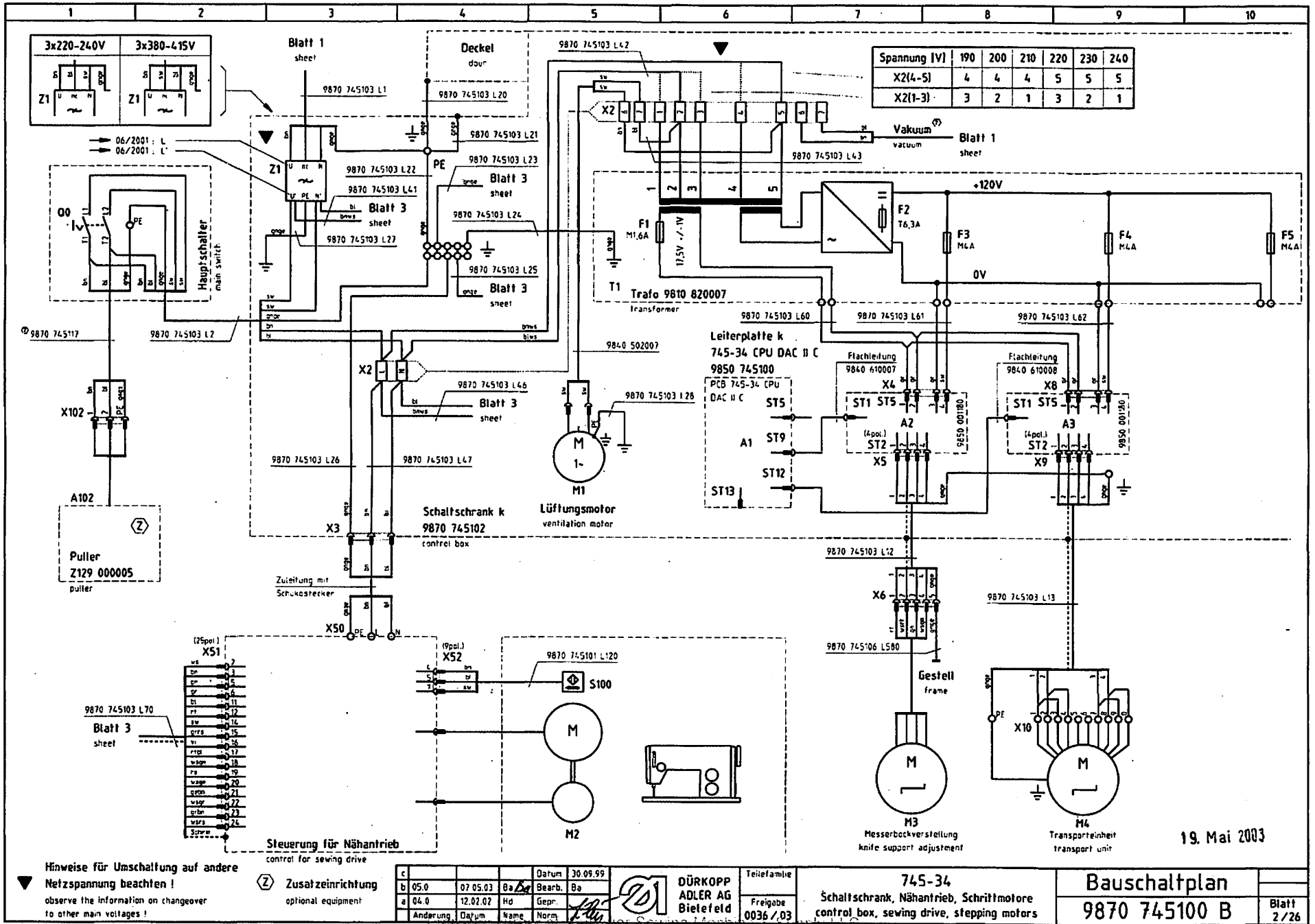
DÜRKOPP
ADLER AG
Bielefeld

Telefamilie
Freigabe
0036 / 03

745-34
Zuleitung, Vakuum
lead, vacuum

Bauschaltplan
9870 745100 B

Blatt
1/26



| Spannung IVI | 190 | 200 | 210 | 220 | 230 | 240 |
|--------------|-----|-----|-----|-----|-----|-----|
| X2(4-5) | 4 | 4 | 4 | 5 | 5 | 5 |
| X2(1-3) | 3 | 2 | 1 | 3 | 2 | 1 |

Hinweise für Umschaltung auf andere Netzspannung beachten!
 observe the information on changeover to other main voltages!

Z Zusatzeinrichtung
 optional equipment

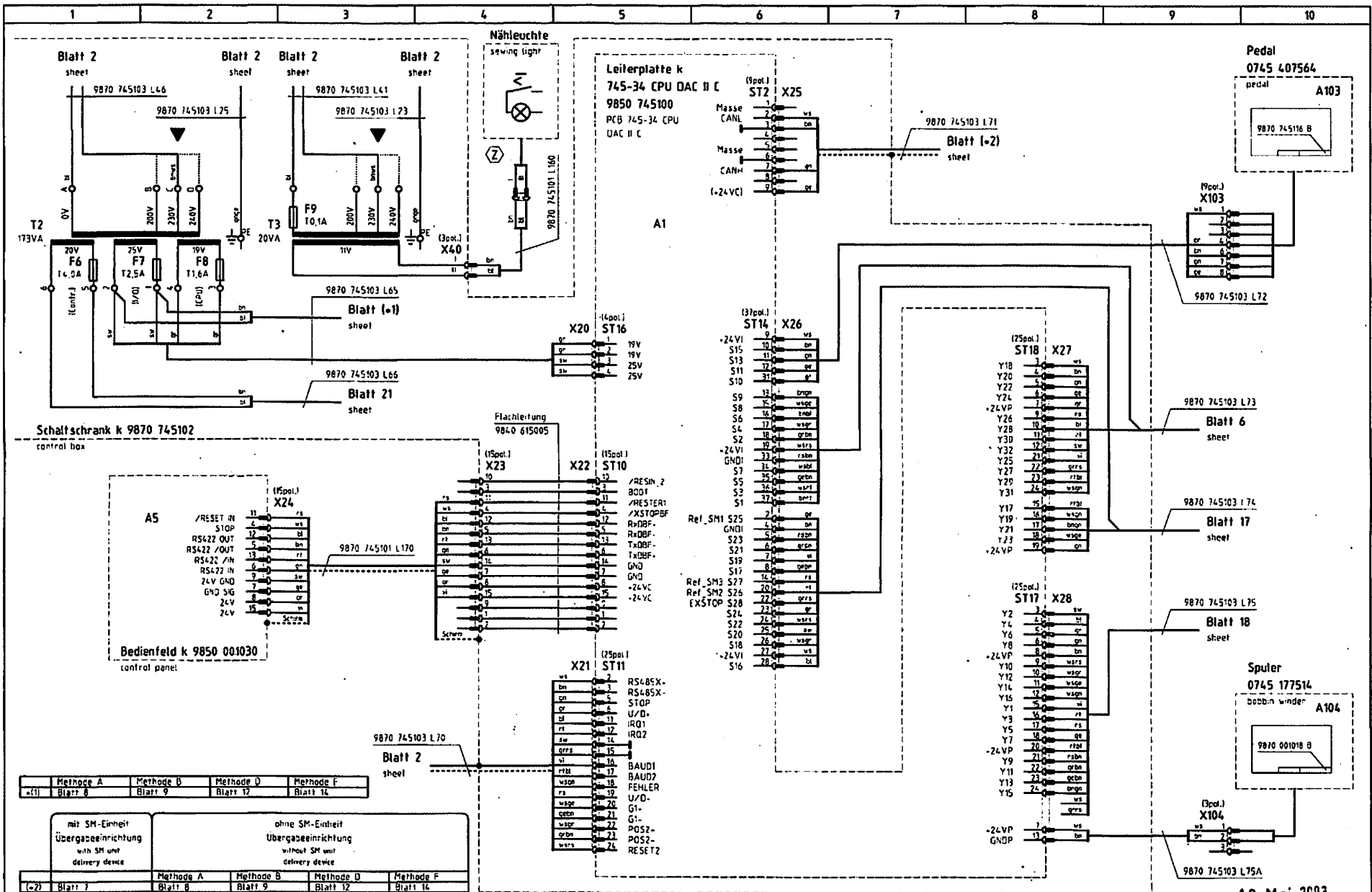
| c | l | 07.05.03 | Ba | Datum | 30.09.99 |
|----------|------|----------|------|--------|----------|
| b | 05.0 | 07.05.03 | Ba | Bearb. | Ba |
| a | 04.0 | 12.02.07 | Hd | Gepr. | |
| Änderung | | Datum | Name | Norm. | |

DÜR KOPP ADLER AG Bielefeld

745-34
 Schaltschrank, Nähntrieb, Schrittmotore
 control box, sewing drive, stepping motors

Bauschaltplan
 9870 745100 B

Blatt 2/26



19. Mai 2003

Hinweise für Umschaltung auf andere Netzspannung beachten!
observe the information on changeover to other main voltages!

Zusatzeinrichtung
optional equipment

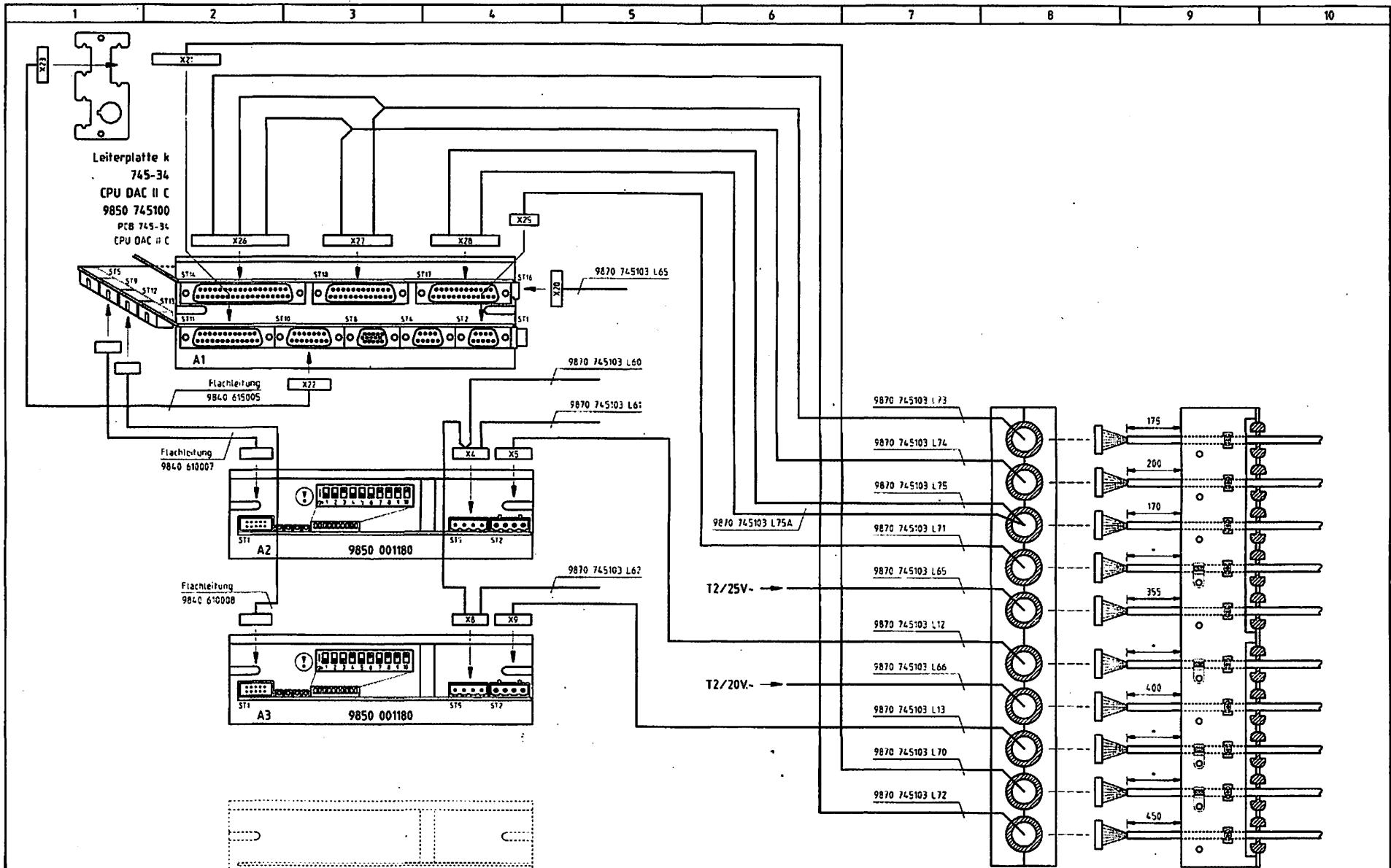
| | | | | |
|---|----------|----------|-------|-----------|
| c | | | Datum | 30.09.99 |
| b | 05.0 | 07.05.03 | Ba | Bearb. Ba |
| a | 04.0 | 12.02.02 | Hd | Gepr. |
| | Anderung | Datum | Name | Norm. |

DÜR KOPP ADLER AG Bielefeld
 D1
 Freigabe 0036 / 03

745-34
CPU, Bedienfeld
CPU, control panel

Bauschaltplan
9870 745100 B

Blatt 3/26



• : Maß durch Schirmbefestigung vorgegeben
 Size depends on the shield attachment 19. Mai 2003

⚠ Konfiguration beachten!
 observe the configuration!

| | | | | |
|----------|------|----------|-----------|----------|
| c | | | Datum | 30.09.99 |
| b | 05.0 | 07.05.03 | Ba/Bearb. | Ba |
| a | 04.0 | 12.02.02 | Hd/Gepr. | |
| Änderung | | Datum | Name | Norm. |

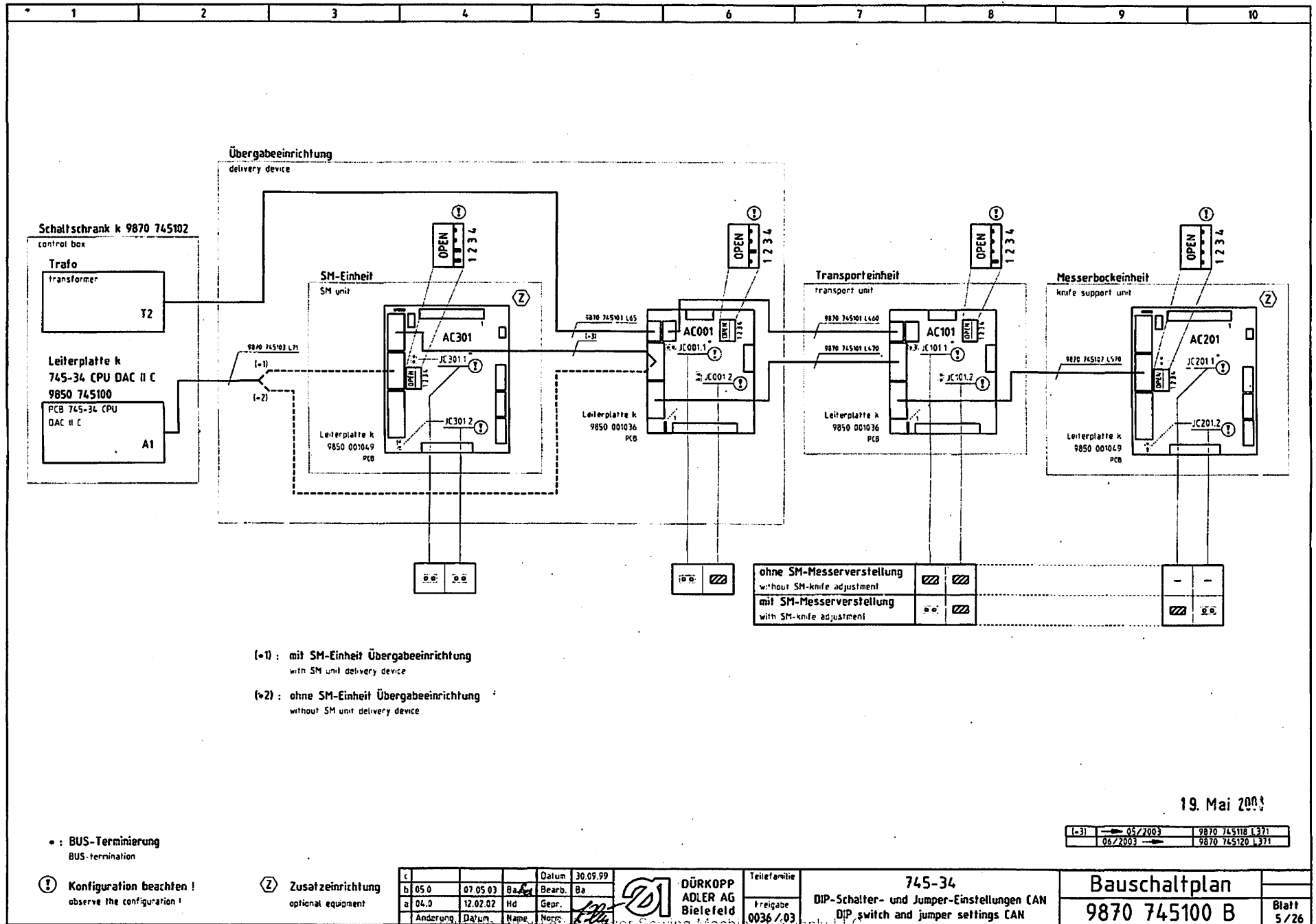


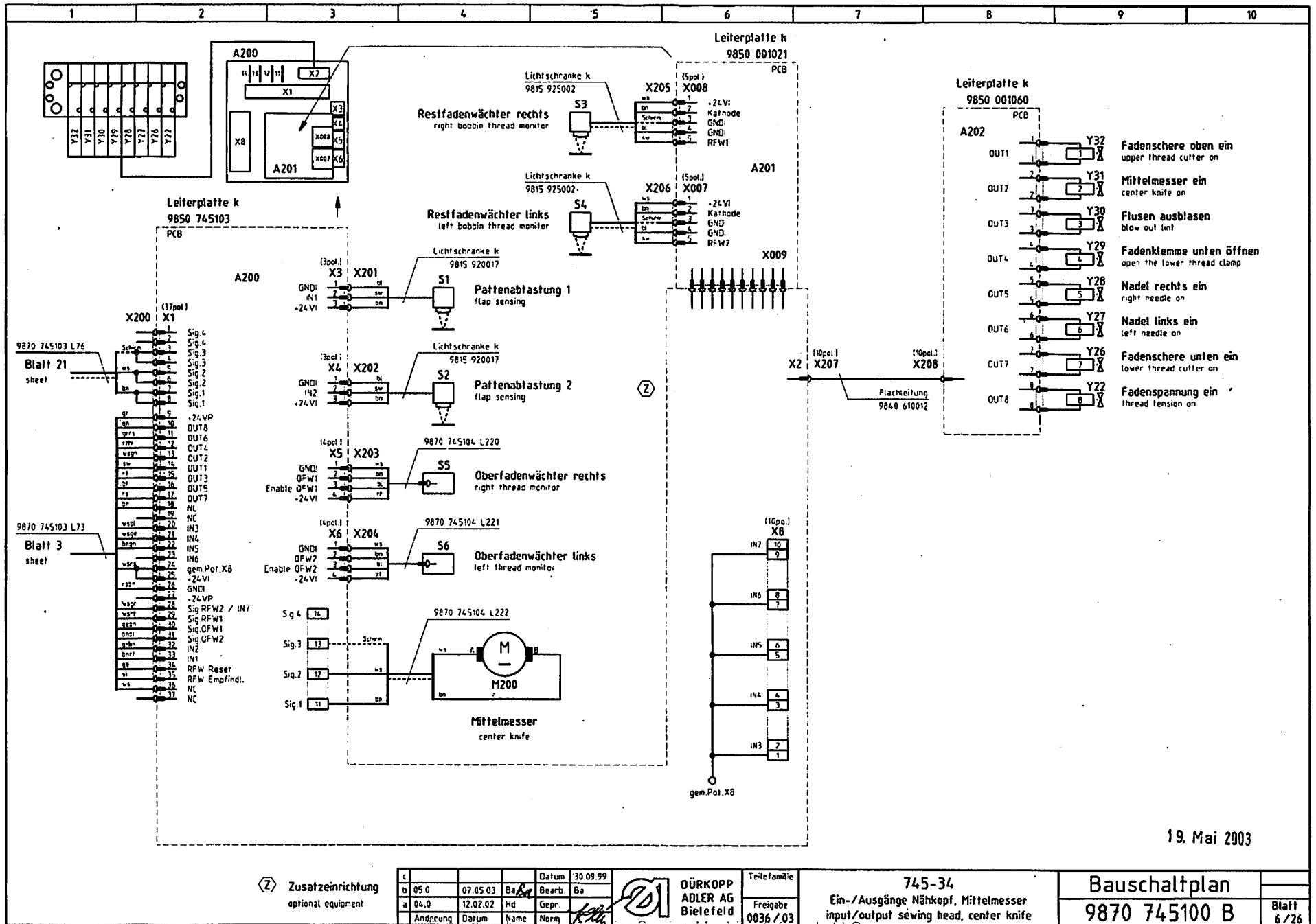
**DÜRKOPP
 ADLER AG**
 Bielefeld

Teilfamilie
 Freigabe
 0036 / 03

745-34
 Steuerung, Anschlussplan
 control, connection diagram

Bauschaltplan
9870 745100 B Blatt
 4/26





19. Mai 2003

⊕ Zusatzeinrichtung
optional equipment

| c | | | Datum | 30.09.99 |
|---|----------|----------|-------|----------|
| b | 05 0 | 07.05.03 | Ba | Ba |
| a | 04.0 | 12.02.02 | Hd | Gepr. |
| | Änderung | Datum | Name | Norm |

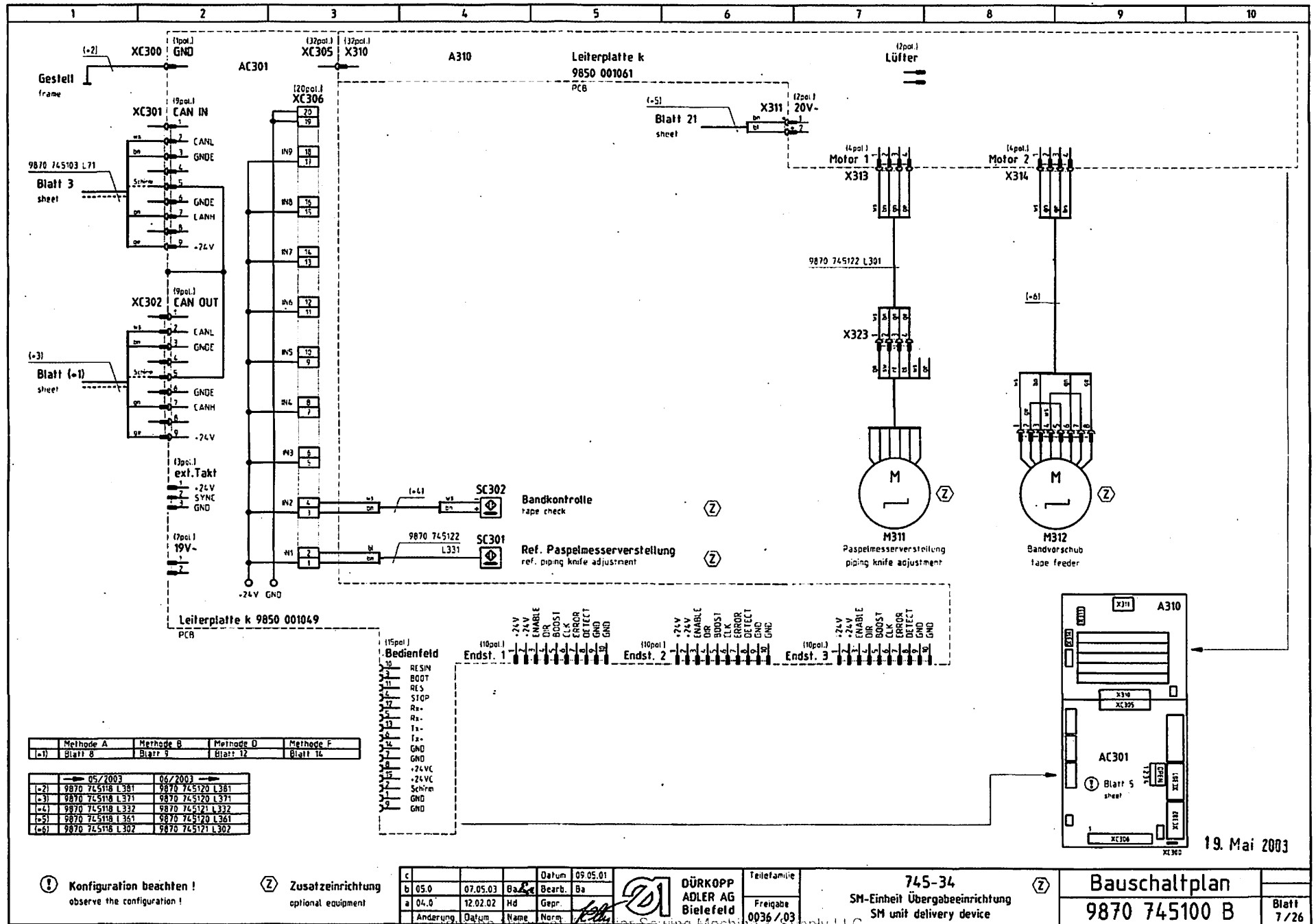
DÜRKOPP ADLER AG
Bielefeld

Telefonfamilie
Freigabe
0036 / 03

745-34
Ein-/Ausgänge Nähkopf, Mittelmesser
input/output sewing head, center knife

Bauschaltplan
9870 745100 B

Blatt
6 / 26



| Methode A | Methode B | Methode D | Methode F |
|--------------|-----------|-----------|-----------|
| (-3) Blatt 8 | Blatt 9 | Blatt 12 | Blatt 14 |

| 05/2003 | | 04/2003 | |
|-----------------------|------------------|---------|--|
| (-2) 9870 745118 L381 | 9870 745120 L381 | | |
| (-3) 9870 745118 L371 | 9870 745120 L371 | | |
| (-4) 9870 745118 L332 | 9870 745121 L332 | | |
| (-5) 9870 745118 L361 | 9870 745120 L361 | | |
| (-6) 9870 745118 L302 | 9870 745121 L302 | | |

| c | d | g | h | Datum | 09.05.01 |
|----------|------|----------|------|-------|----------|
| b | 05.0 | 07.05.03 | Ba | Be | Ba |
| a | 04.0 | 12.02.02 | Hd | Gepr. | |
| Änderung | | Datum | Name | Norm. | |

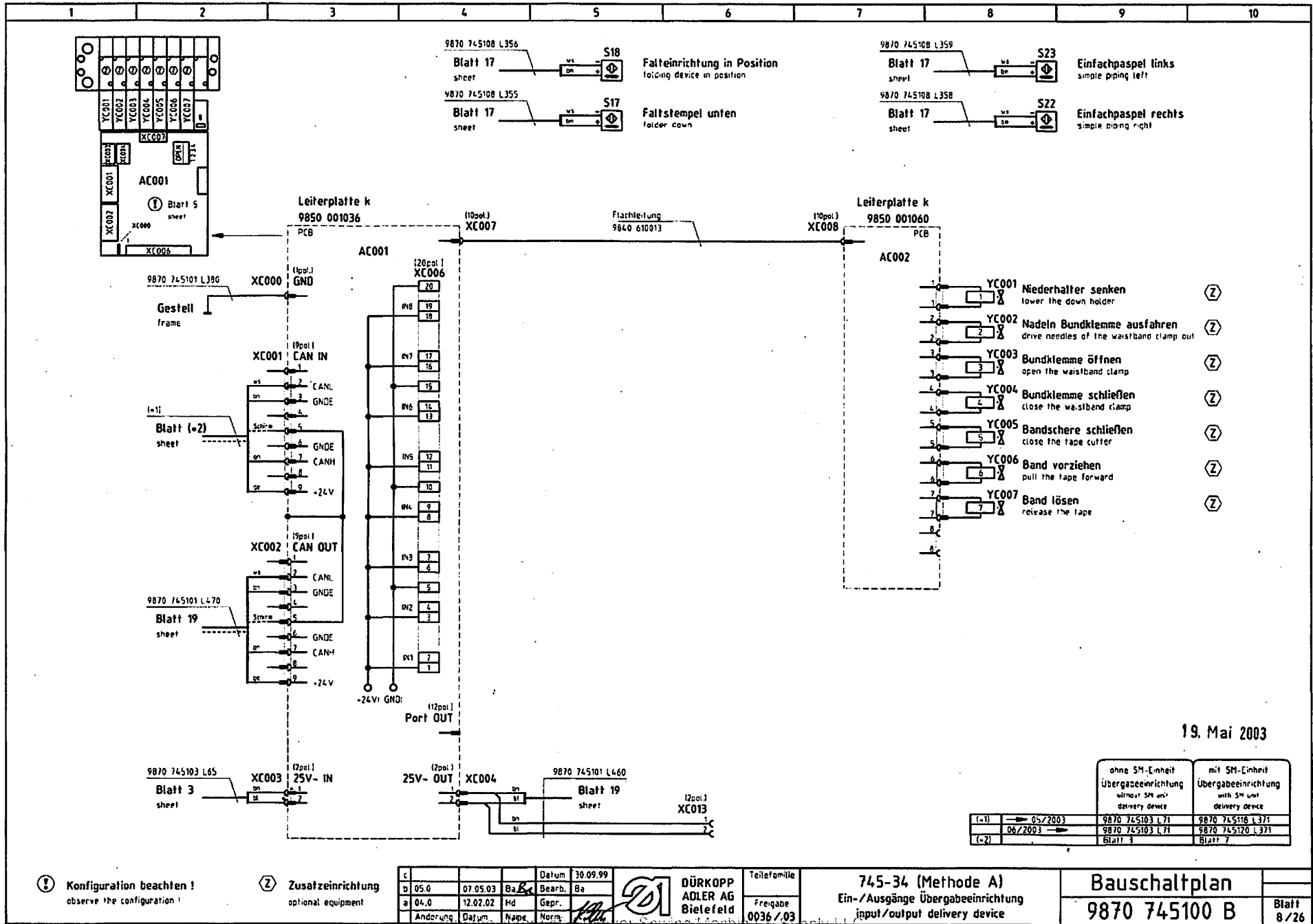
DÜRKOPP ADLER AG Bielefeld

Telefonfamilie
Freigabe
0036 / 03

745-34
SM-Einheit Übergabeeinrichtung
SM unit delivery device

Bauschaltplan
9870 745100 B

Blatt
7/26



19. Mai 2003

| | ohne SM-Einheit Übergabeeinrichtung without SM unit delivery device | mit SM-Einheit Übergabeeinrichtung with SM unit delivery device |
|------|--|--|
| (-1) | 9870 745103 L 71 | 9870 745108 L 371 |
| (-2) | 9870 745103 L 71 Blatt 3 | 9870 745120 L 371 Blatt 7 |

(i) Konfiguration beachten!
observe the configuration!

(Z) Zusatzeinrichtung
optional equipment

| c | | Datum | 30.09.99 |
|---|----------|----------|------------|
| b | 05.0 | 07.05.03 | Ba. Ba. |
| a | 04.0 | 12.02.02 | Hd. Gepr. |
| | Anderung | Datum | Name Norm. |

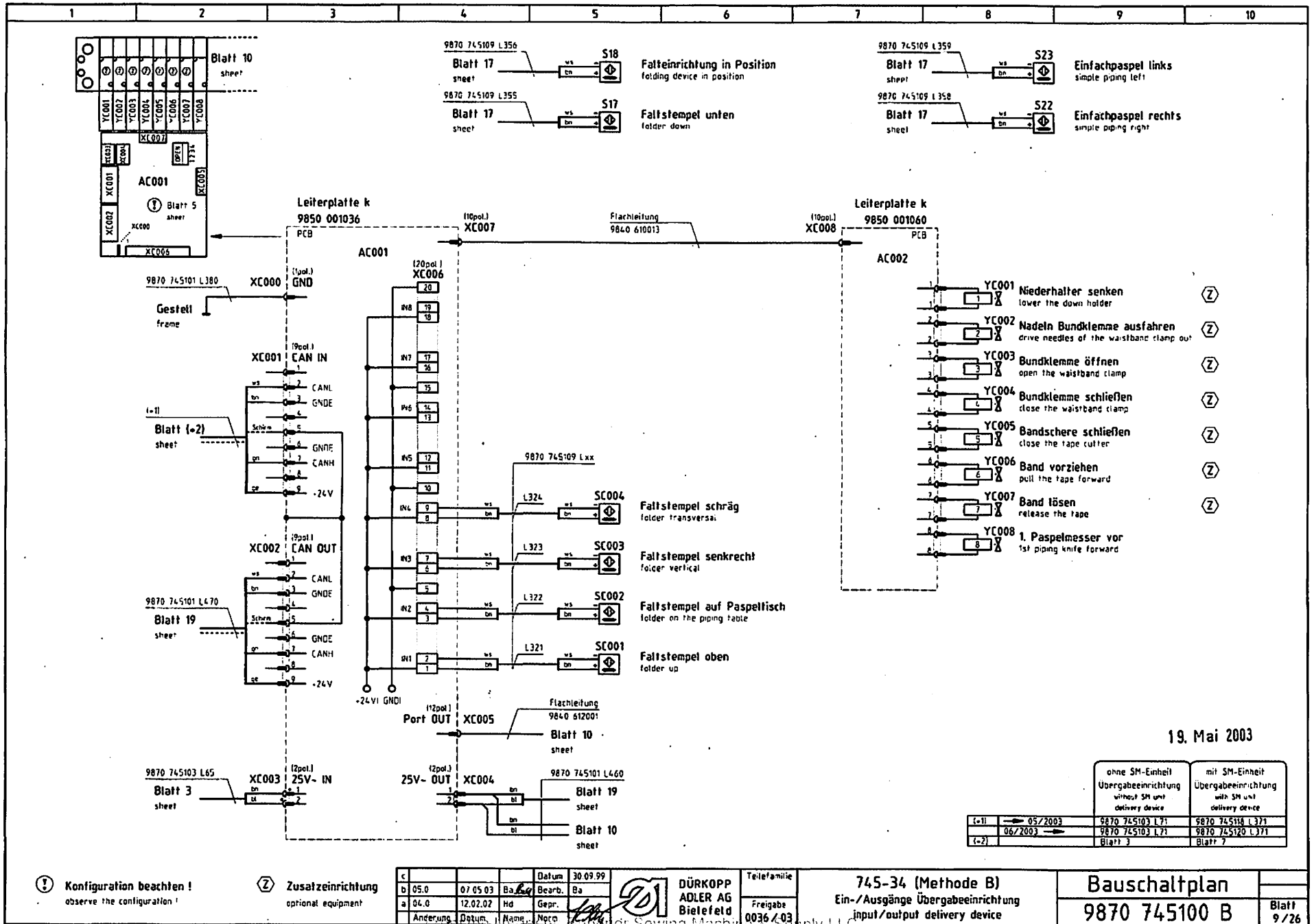


**DÜRKOPP
ADLER AG**
Bielefeld

Teilfamilie
Freigabe
0036/03

745-34 (Methode A)
Ein-/Ausgänge Übergabeeinrichtung
input/output delivery device

Bauschaltplan
9870 745100 B
Blatt 8/26



19. Mai 2003

| | ohne SM-Einheit Übergabeeinrichtung without SM unit delivery device | mit SM-Einheit Übergabeeinrichtung with SM unit delivery device |
|------|--|--|
| (-1) | 05/2003 → 9870 745103 L 71 | 9870 745118 L 371 |
| (-2) | 06/2003 → 9870 745103 L 71 | 9870 745120 L 371 |
| | Blatt 3 | Blatt 7 |

ⓘ Konfiguration beachten!
observe the configuration!

Ⓩ Zusatzeinrichtung
optional equipment

| c | | Datum | 30.09.99 |
|--------------------------|------|----------|---------------|
| b | 05.0 | 07.05.03 | Ba. Bearb. Ba |
| a | 04.0 | 12.02.02 | Ma Gepr. |
| Änderung Datum Name Norm | | | |

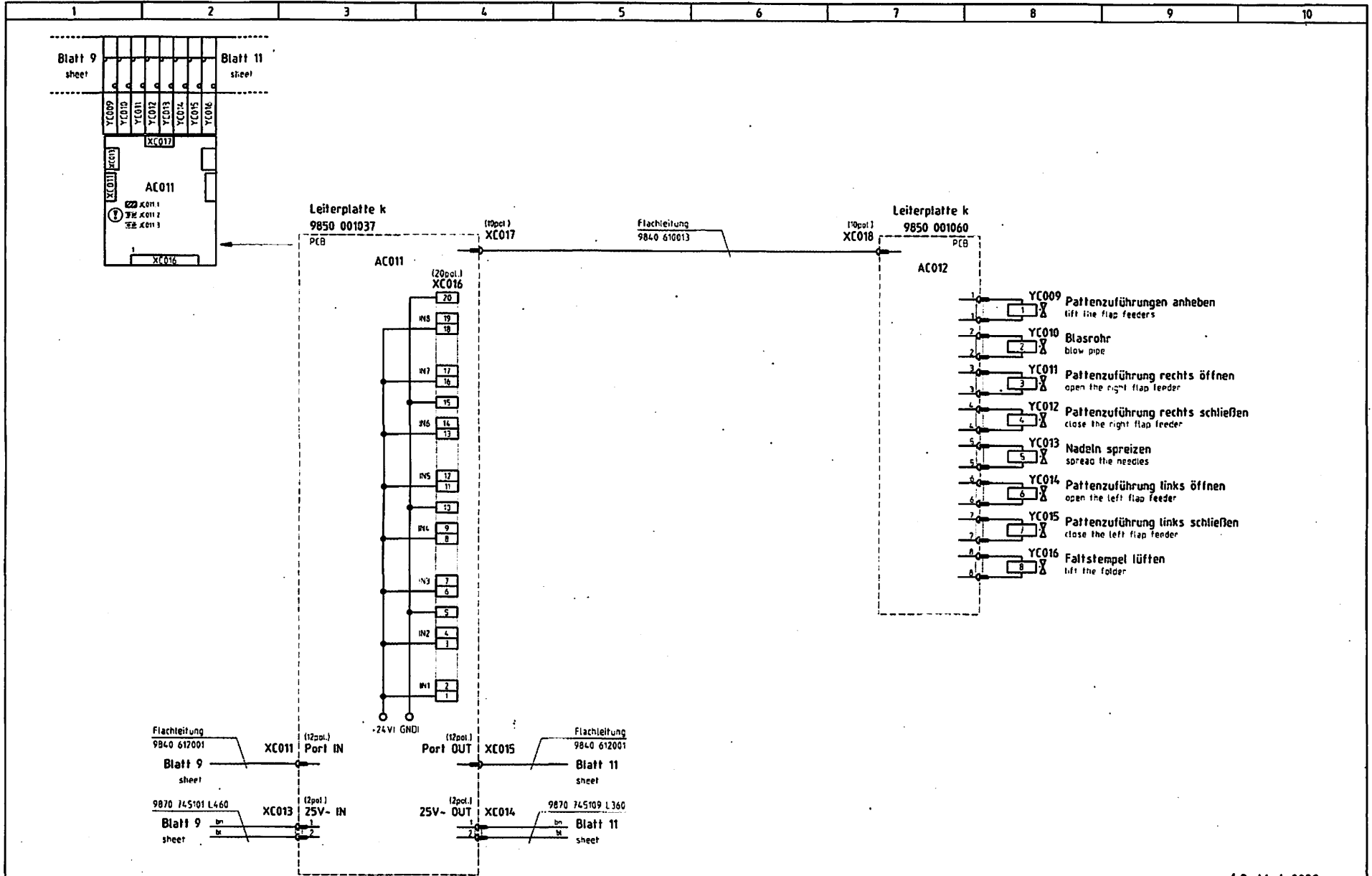


**DÜRKOPP
ADLER AG**
Bielefeld
Telefonfamilie
Freigabe
0036 / 03

745-34 (Methode B)
Ein-/Ausgänge Übergabeinrichtung
input/output delivery device

Bauschaltplan
9870 745100 B

Blatt
9/26



19. Mai 2003

ⓘ **Konfiguration beachten!**
observe the configuration!

| | | | | |
|----------|-------|----------|---------|-----------|
| c | | | Datum | 30.09.99 |
| b | 05.0 | 07.05.03 | Ba & Ba | Bearb. Ba |
| a | 04.0 | 12.02.02 | Hd | Gepr. |
| Änderung | Datum | Name | Norm | |



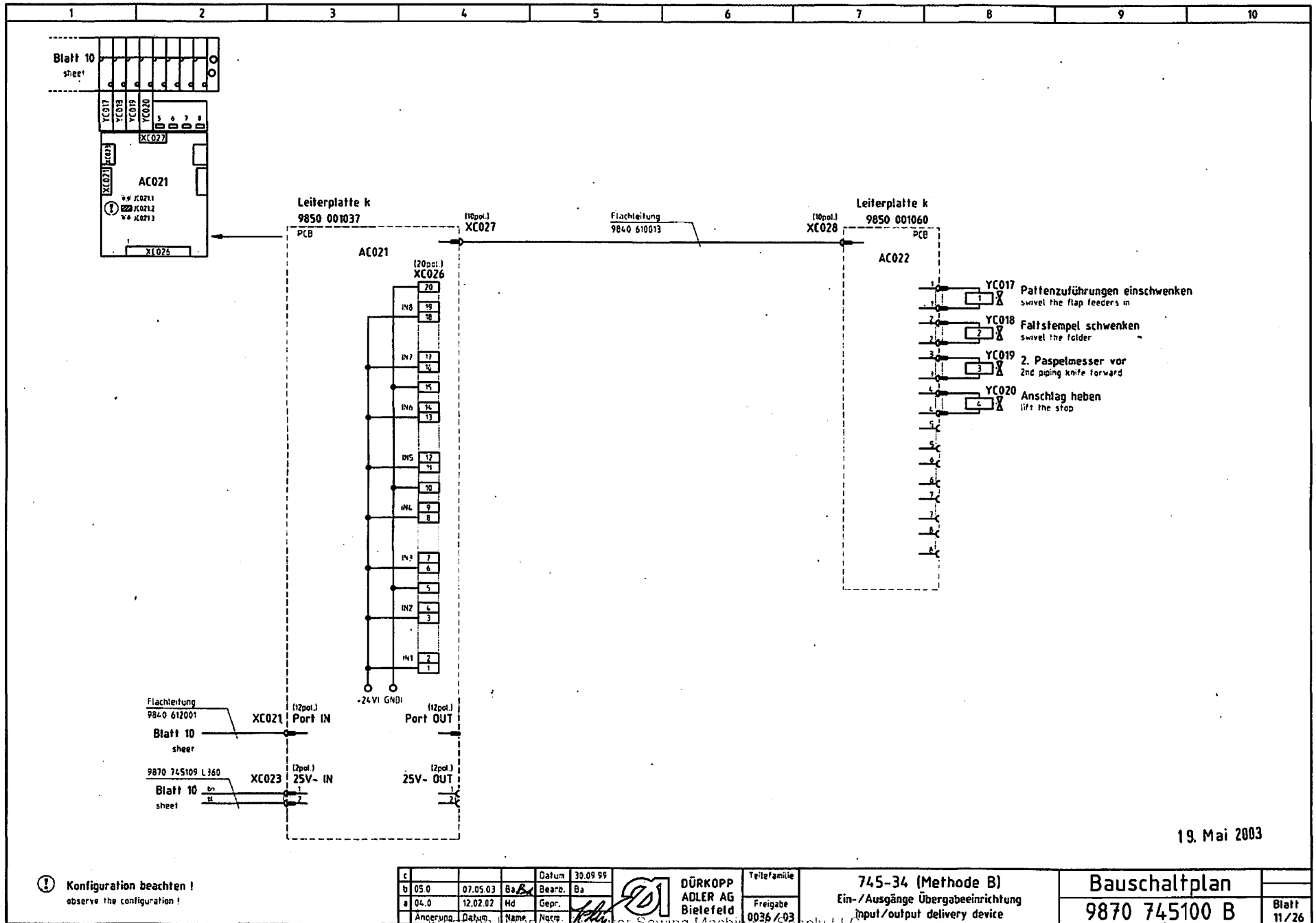
**DÜRKOPP
ADLER AG**
Bielefeld

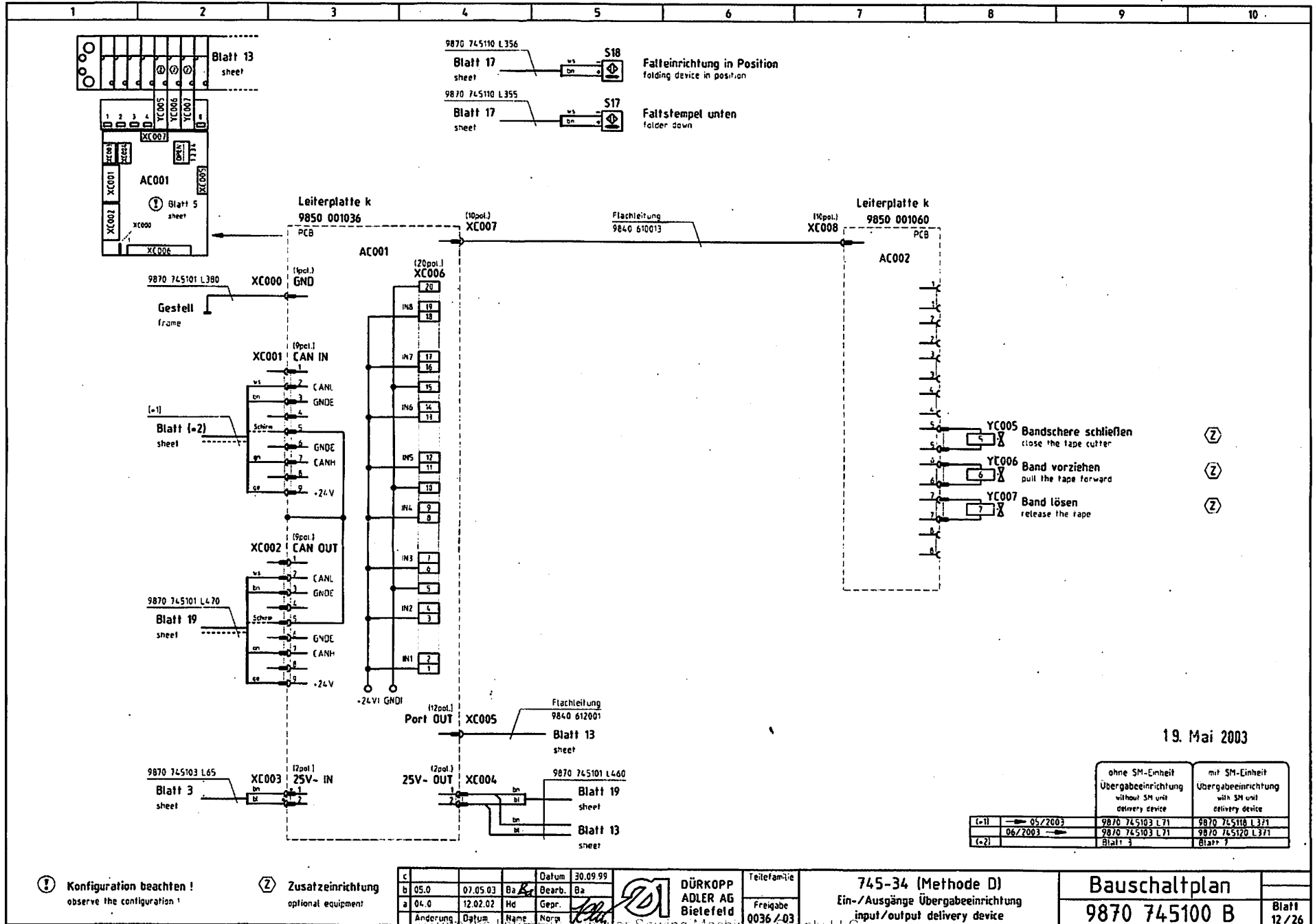
Teilfamilie
Freigabe
0036 / 03

745-34 (Methode B)
Ein-/Ausgänge Übergabeeinrichtung
input/output delivery device

Bauschaltplan
9870 745100 B

Blatt
10 / 26





19. Mai 2003

| | | |
|------|--|--|
| | ohne SM-Einheit Übergabeeinrichtung without SM unit delivery device | mit SM-Einheit Übergabeeinrichtung with SM unit delivery device |
| (-1) | 9870 745103 L371 | 9870 745110 L371 |
| (-2) | Blatt 3 | Blatt 7 |

| | |
|------|---------|
| (-1) | 05/2003 |
| (-2) | 06/2003 |

ⓘ Konfiguration beachten!
observe the configuration!

Ⓩ Zusatzeinrichtung
optional equipment

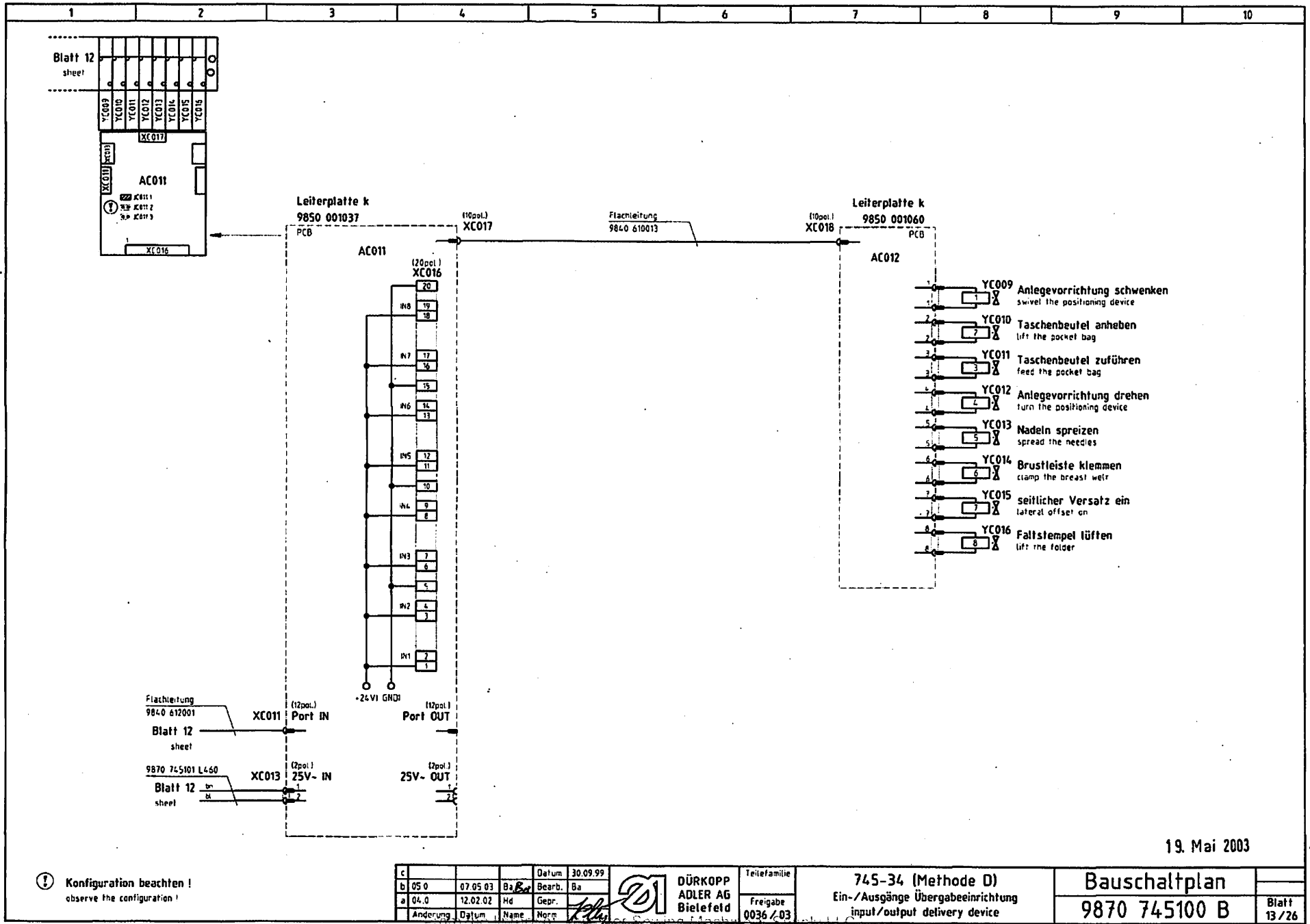
| | | | | |
|----------|------|----------|--------------|----------|
| c | | | Datum | 30.09.99 |
| b | 05.0 | 07.05.03 | Ba. / Bearb. | Ba |
| a | 04.0 | 12.02.02 | Hd. / Gepr. | |
| Änderung | | Datum | Name | Nr. |

DÜRKOPP ADLER AG
Bietefeld

Teilfamilie
Freigabe
0036 / 03

745-34 (Methode D)
Ein-/Ausgänge Übergabeeinrichtung
input/output delivery device

Bauschaltplan
9870 745100 B
Blatt 12 / 26



19. Mai 2003

ⓘ Konfiguration beachten!
observe the configuration!

| | | | | |
|---|----------|----------|--------------|----------|
| c | | | Datum | 30.09.99 |
| b | 05 0 | 07.05.03 | Ba. / Bearb. | Ba. |
| a | 04 0 | 12.02.02 | Hd. / Gepr. | |
| | Anderung | Datum | Name | Norm. |

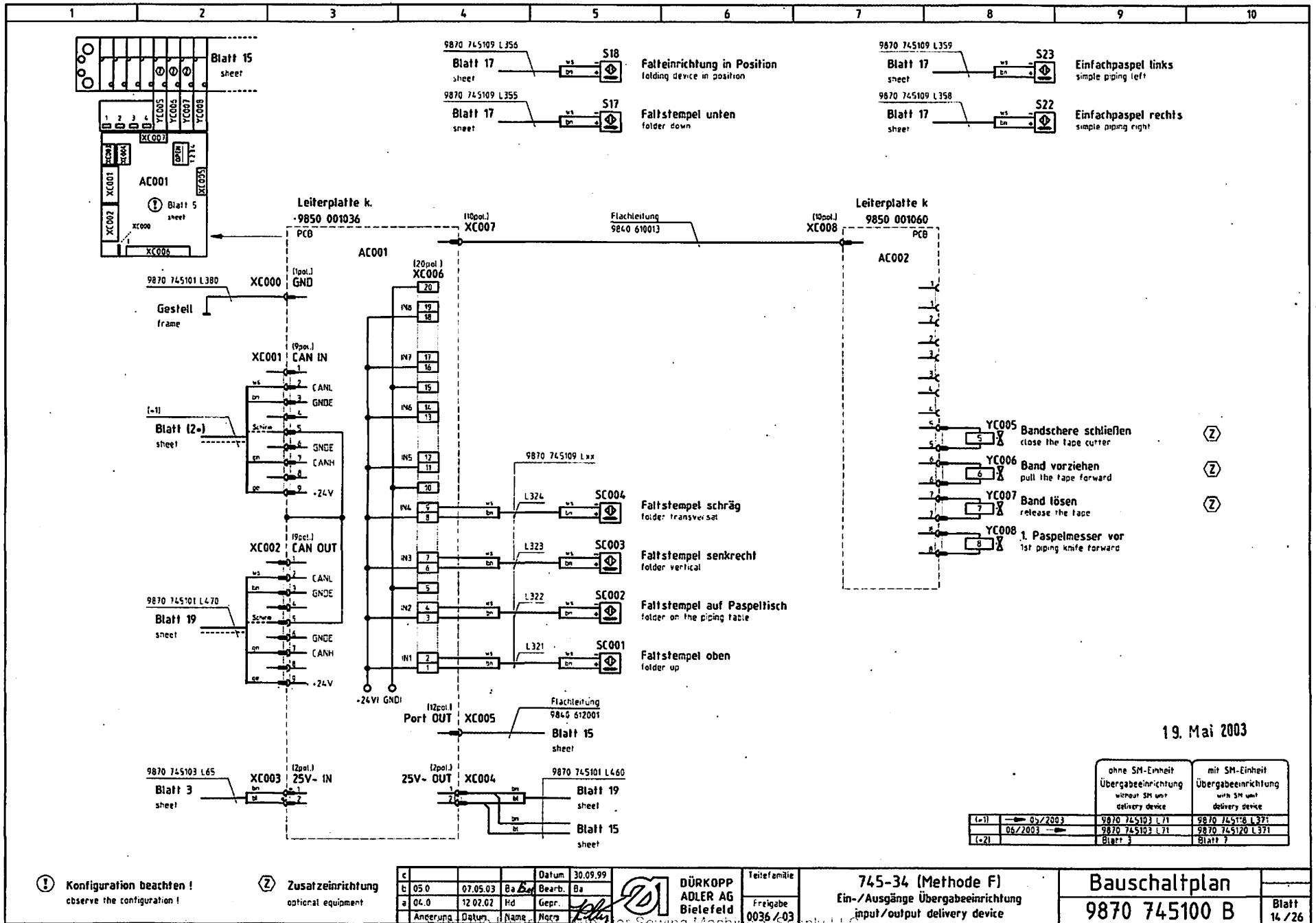
D DÜRKOPP
ADLER AG
Bielefeld

Telefamille
Freigabe
0036 / 03

745-34 (Methode D)
Ein-/Ausgänge Übergabeinrichtung
input/output delivery device

Bauschaltplan
9870 745100 B

Blatt
13 / 26



❗ Konfiguration beachten!
observe the configuration!

Ⓩ Zusatzeinrichtung
optional equipment

| | | | | |
|---|-----------|----------|-----------|----------|
| c | | | Datum | 30.09.99 |
| b | 05.0 | 07.05.03 | Ba Bearb. | Ba |
| a | 04.0 | 12.02.02 | Hd Gepr. | |
| | Aenderung | Datum | Name | Nachr. |

**DÜRKOPP
ADLER AG
Bielefeld**

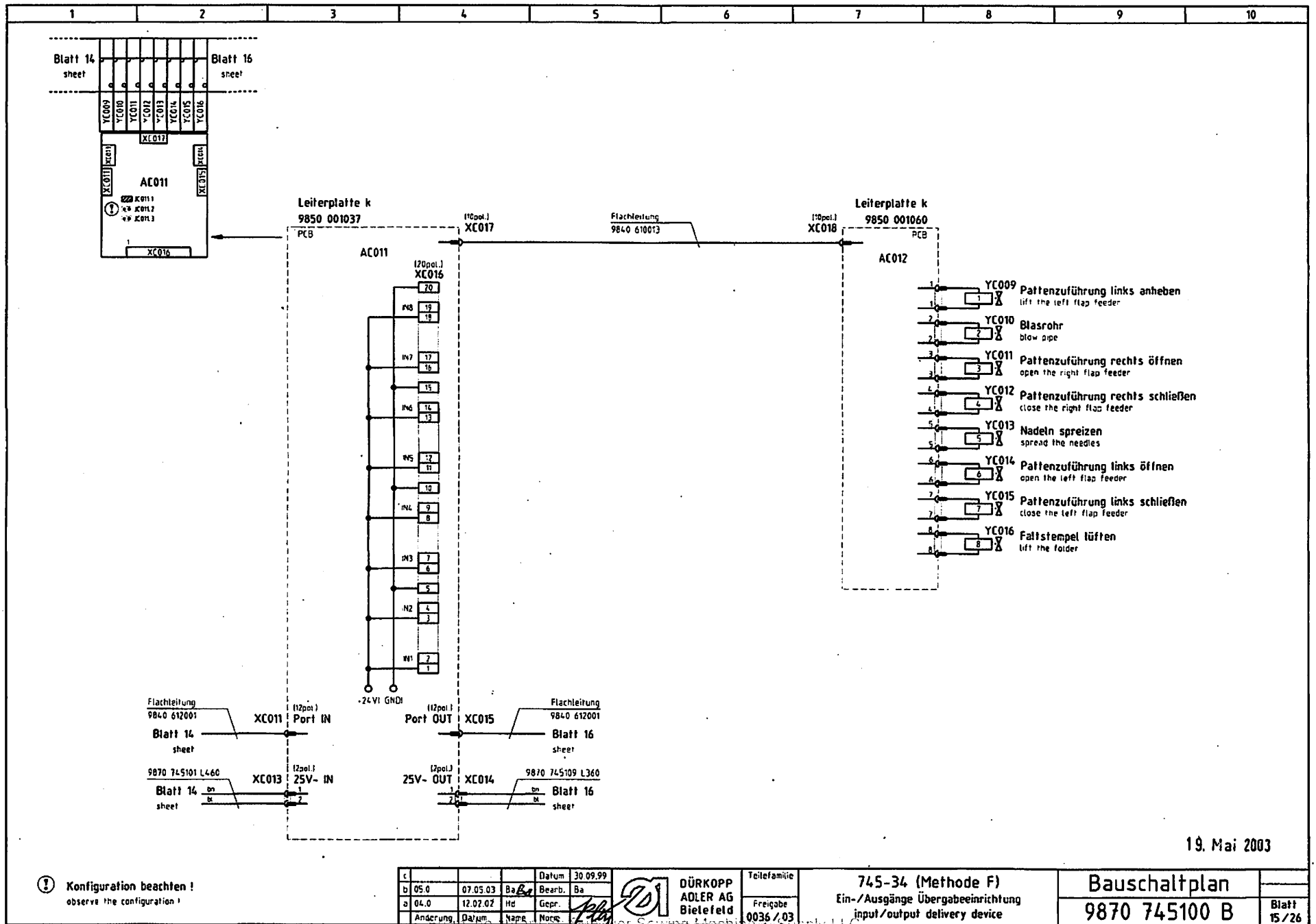
Teilfamäie
Freigabe
0036/03

745-34 (Methode F)
Ein-/Ausgänge Übergabeeinrichtung
input/output delivery device

Bauschaltplan
9870 745100 B
Blatt 16 / 26

19. Mai 2003

| | | |
|------|--|--|
| | ohne SM-Einheit Übergabeeinrichtung without SM unit delivery device | mit SM-Einheit Übergabeeinrichtung with SM unit delivery device |
| (-1) | 05/2003 | 9870 745103 L 71 9870 745120 L 371 |
| (-2) | 06/2003 | Blatt 3 Blatt 7 |



19. Mai 2003

! Konfiguration beachten!
observe the configuration!

| | | | | |
|---|----------|----------|-------|-----------|
| c | | | Datum | 30.09.99 |
| b | 05.0 | 07.05.03 | Ba/Ba | Bearb. Ba |
| a | 04.0 | 12.07.02 | Hd | Gepr. |
| | Änderung | Datum | Name | Norm. |

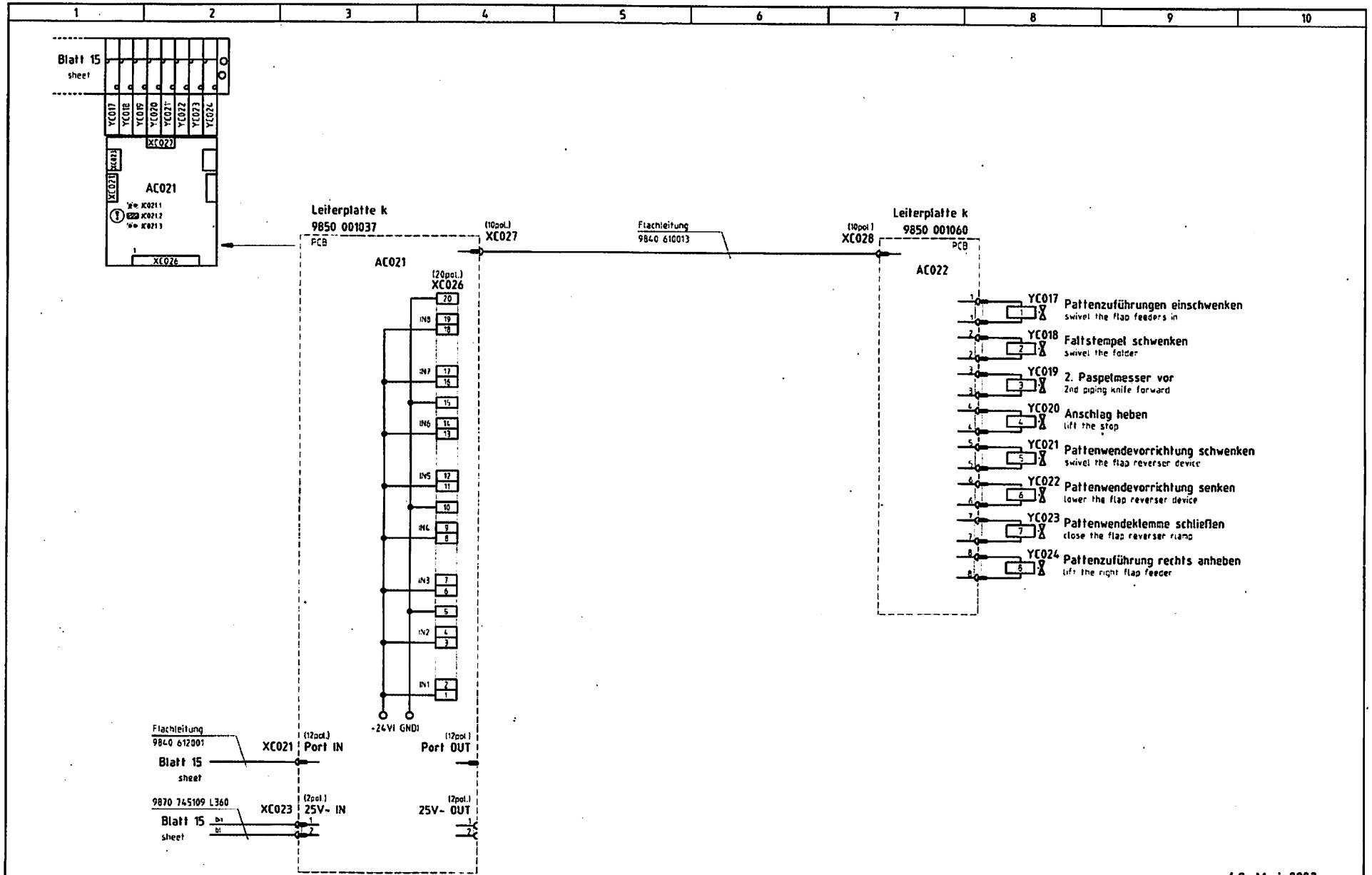


DÜRKOPP ADLER AG
Bielefeld

Teilefamilie
745-34 (Methode F)
Ein-/Ausgänge Übergabeeinrichtung
input/output delivery device

Bauschaltplan
9870 745100 B

Blatt 15/26



19. Mai 2003

ⓘ Konfiguration beachten!
observe the configuration!

| | | | | |
|----------|-------|----------|--------|----------|
| t | | | Datum | 30.09.99 |
| b | 05.0 | 07.05.03 | Bearb. | Ba |
| a | 04.0 | 12.02.02 | Gepr. | |
| Anderung | Datum | Name | Wovon | |

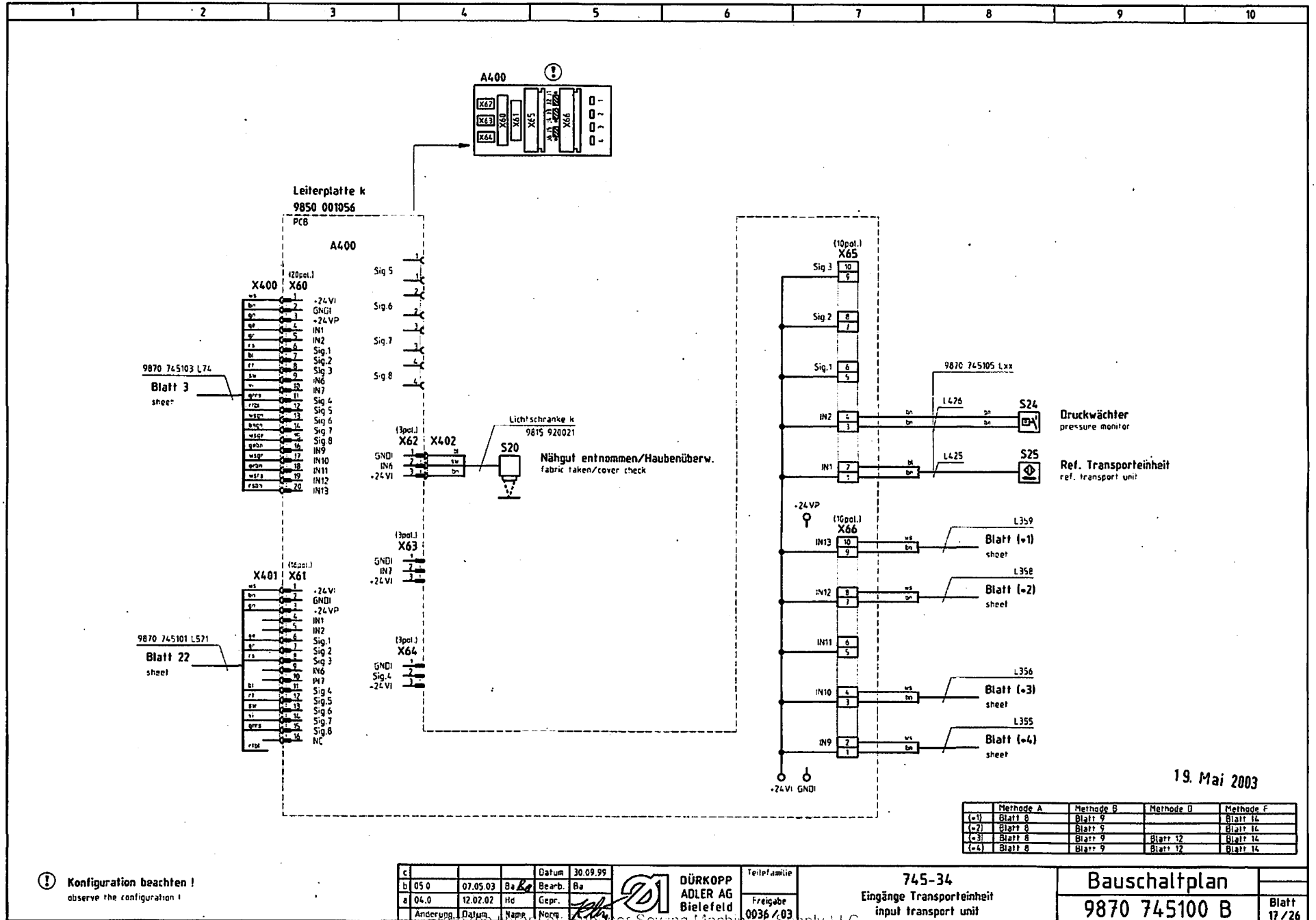


**DÜRKOPP
ADLER AG**
Bielefeld

Teilfamilie
745-34 (Methode F)
Ein-/Ausgänge Übergabeeinrichtung
input/output delivery device

Bauschaltplan
9870 745100 B

Blatt
16 / 26



ⓘ Konfiguration beachten!
observe the configuration!

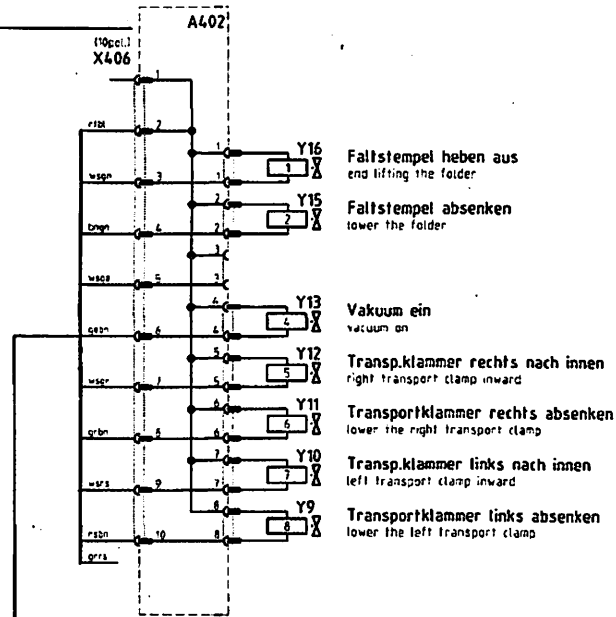
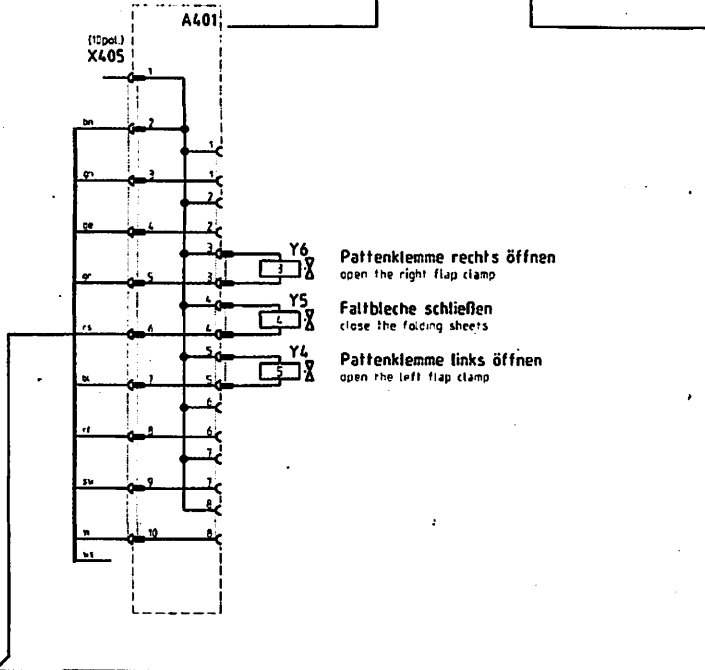
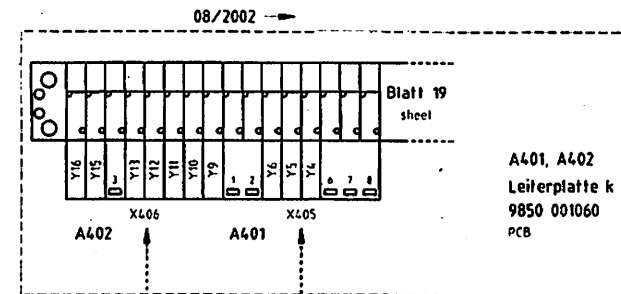
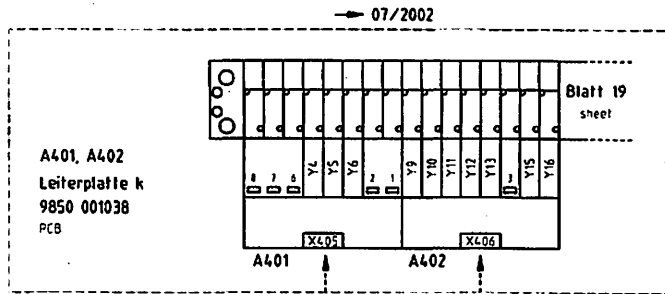
| | | | | |
|---|----------|----------|--------------|----------|
| c | | | Datum | 30.09.99 |
| b | 05.0 | 07.05.03 | Ba. / Bearb. | Ba. |
| a | 04.0 | 12.02.02 | Hc / Gepr. | |
| | Anderung | Datum | Name | Norm. |



DÜRKOPP ADLER AG
Bielefeld

Teilfamilie
745-34
Eingänge Transporteinheit
input transport unit

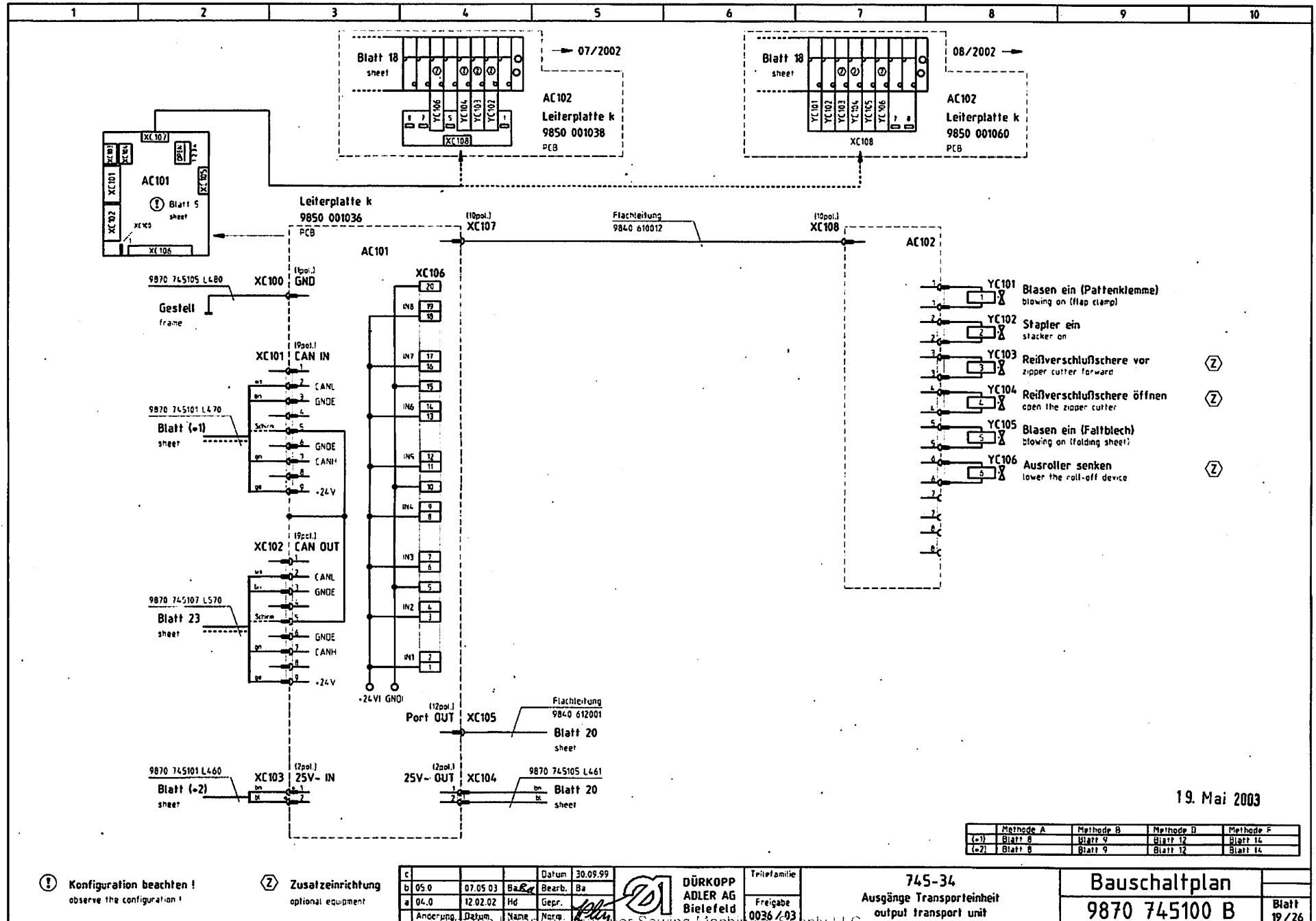
Bauschaltplan
9870 745100 B
Blatt 17 / 26



9870 745103 L75
Blatt 3
sheet

19. Mai 2003

| | | | | | | | | |
|----------|------|----------|-------|----------|-----------------------------------|---|--------------------------------|------------------|
| c | | | Datum | 30.09.99 | DÜR KOPP ADLER AG Bielefeld | Telefamille 745-34 Ausgänge Transporteinheit output transport unit | Bauschaltplan 9870 745100 B | Blatt 18 / 26 |
| b | 05.0 | 07.05.03 | Ba | Bearb. | | | | |
| a | 04.0 | 12.02.02 | Hd | Gepr. | | Freigabe 0036 / 03 | | |
| Änderung | | Datum | Name | Norm | | | | |



ⓘ Konfiguration beachten!
observe the configuration!

Ⓩ Zusatzeinrichtung
optional equipment

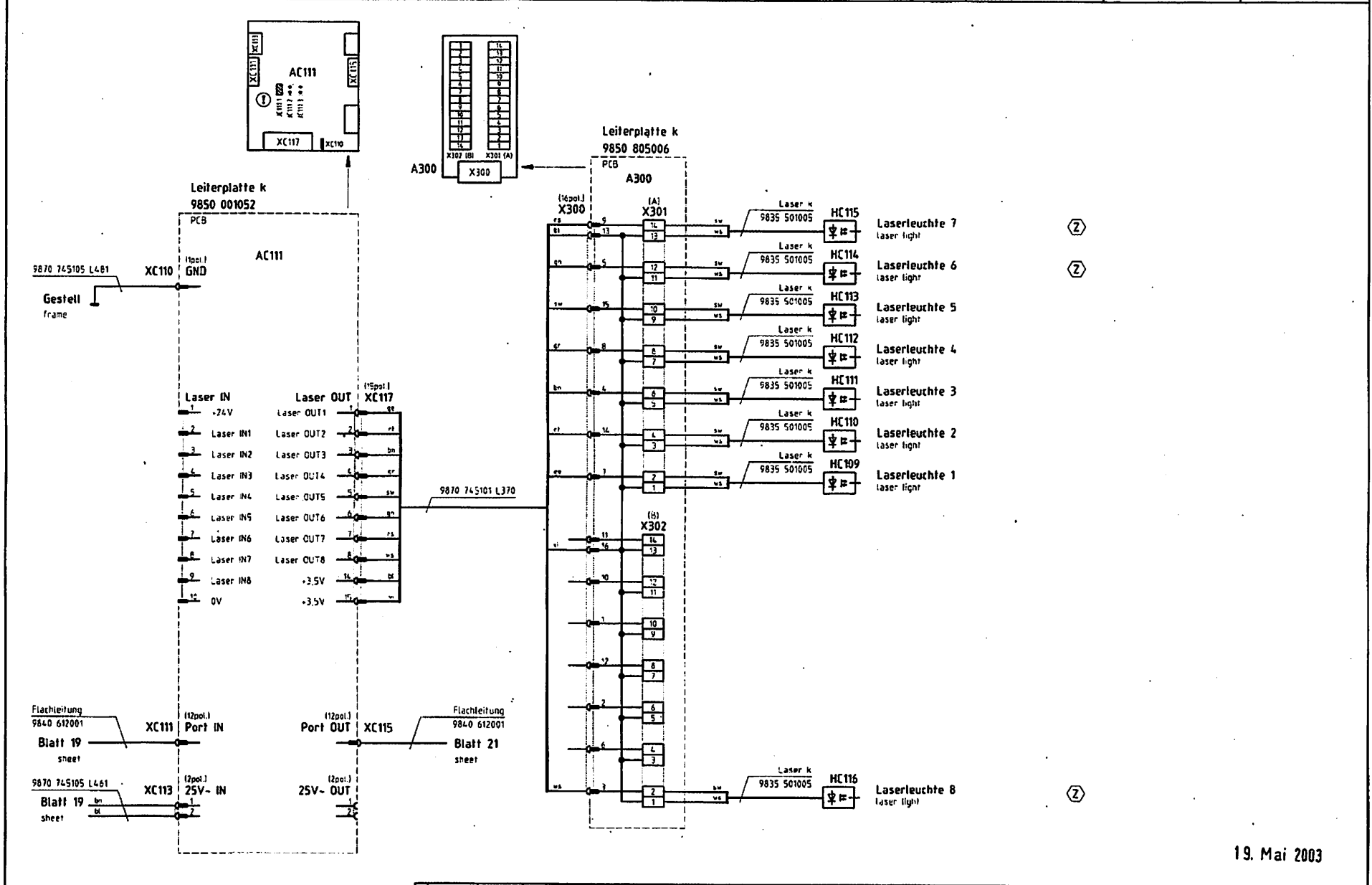
| | | | | |
|---|----------|----------|-------|-----------|
| c | | | Datum | 30.09.99 |
| b | 05.0 | 07.05.03 | BaRg | Bearb. Ba |
| a | 04.0 | 12.02.02 | Hd | Gepr. |
| | Änderung | Datum | Name | Name |

D DÜRKOPP
ADLER AG
Bielefeld

Tritefamilie
Freigabe
0036 / 03

745-34
Ausgänge Transporteinheit
output transport unit

| | | | | |
|---------------|--|--|--|---------------|
| Bauschaltplan | | | | |
| 9870 745100 B | | | | Blatt 19 / 26 |



ⓘ Konfiguration beachten!
observe the configuration!

Ⓩ Zusatzeinrichtung
optional equipment

| | | | | |
|----------|------|----------|-----------|----------|
| c | | | Datum | 30.09.99 |
| b | 05.0 | 07.05.03 | Ba Bearb. | Ba |
| a | 04.0 | 12.02.02 | Hd Gepr. | |
| Änderung | | Datum | Name | Nrgr |

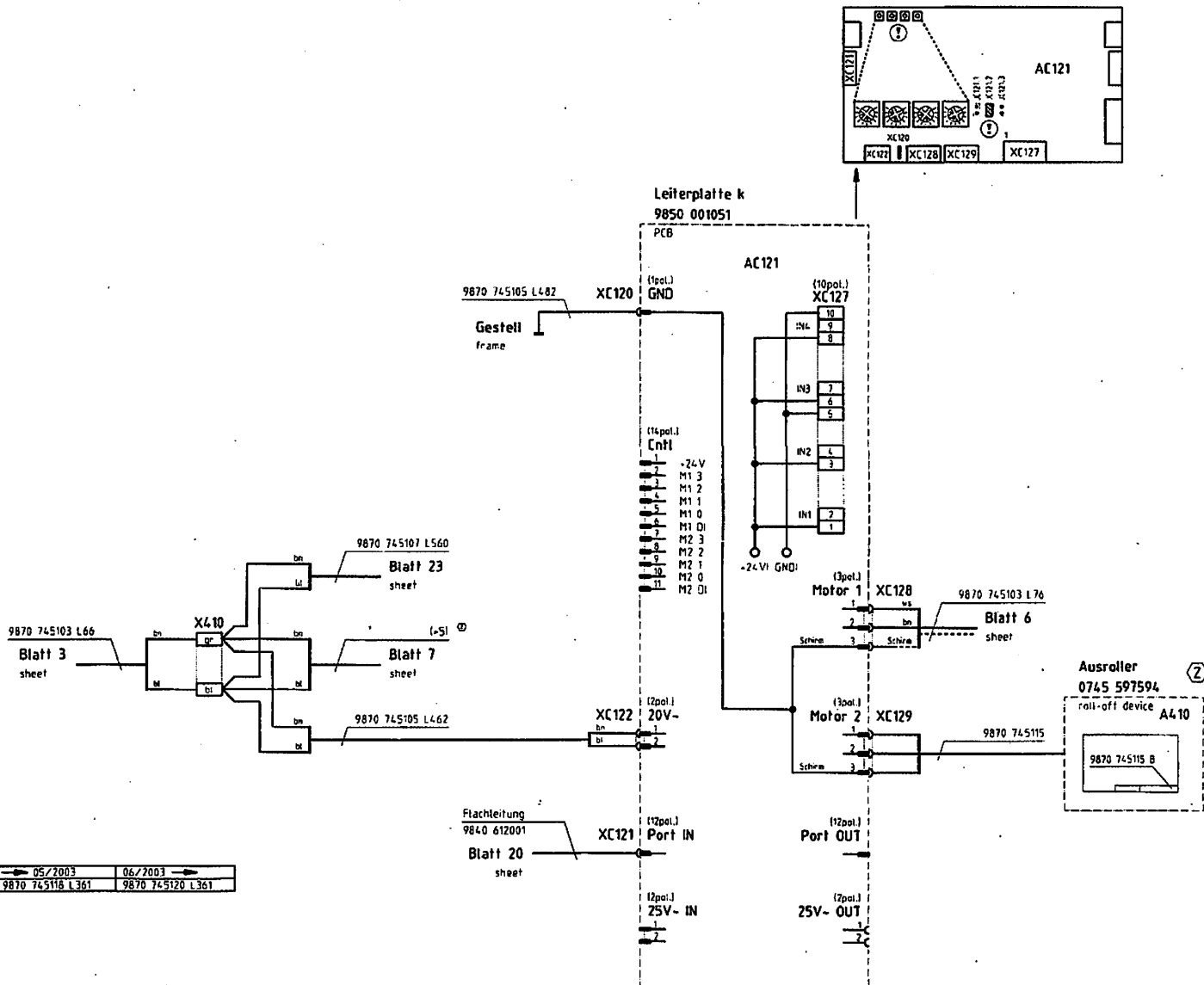
DÜRKOPP ADLER AG
Bielefeld

Teilefamilie
Freigabe
0036 / 03

745-34
Laserleuchten
laser lights

Bauschaltplan
9870 745100 B

Blatt
20 / 26



| | |
|-----------------------|------------------|
| ← 05/2003 | 06/2003 → |
| (-5) 9870 745118 L361 | 9870 745120 L361 |

19. Mai 2003

ⓘ **Konfiguration beachten!**
observe the configuration!

Ⓩ **Zusatzeinrichtung**
optional equipment

| c | | | Datum | 30.09.99 |
|----------|------|----------|-------|----------|
| b | 05.0 | 07.05.03 | Ba | Ba |
| a | 04.0 | 12.02.02 | Hd | Gepr. |
| Anderung | | Datum | Name | Norge |

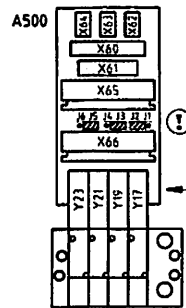
DÜR KOPP
ADLER AG
Bielefeld

| | |
|-------------|-----------|
| Teilfamilie | |
| Freigabe | 0036 / 03 |

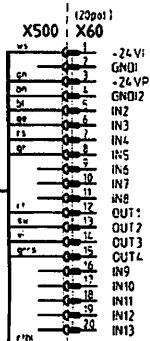
745-34
DC-Motor-Modul
DC motor module

Bauschaltplan
9870 745100 B

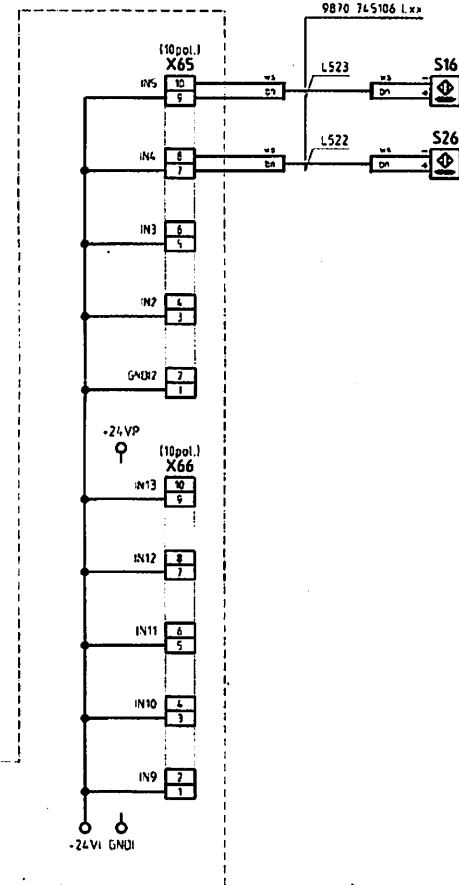
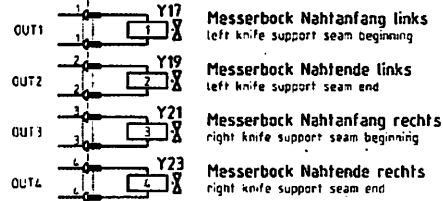
Blatt
21/26



Leiterplatte k
9850 001056
PCB



9870 745101 L571
Blatt 17
sheet



19. Mai 2003

⚠ Konfiguration beachten!
observe the configuration!

| | | | | |
|----------|------|----------|--------------|----------|
| c | | | Datum | 30.09.99 |
| b | 05.0 | 07.05.03 | Ba. / Bearb. | Ba. |
| a | 04.0 | 12.02.02 | Hd. / Gepr. | |
| Änderung | | Datum | Name | Notiz |

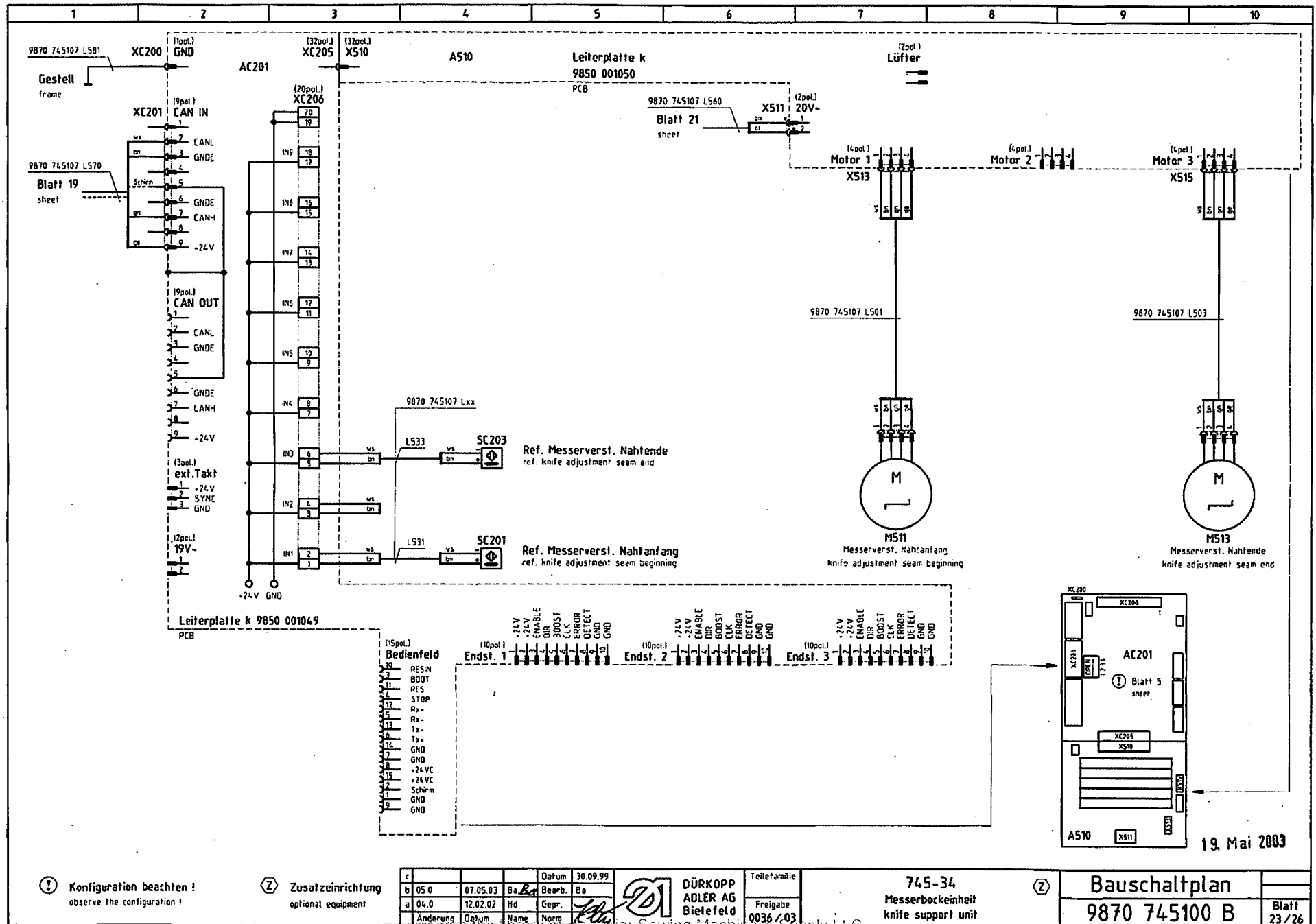


Teilfamilie
 Freigabe
 0036 / 03

745-34
 Messerbockeinheit
 knife support unit

Bauschaltplan
 9870 745100 B

Blatt 22 / 26



ⓘ Konfiguration beachten!
observe the configuration!

Ⓩ Zusatzzeineinrichtung
optional equipment

| | | | | |
|---|----------|----------|-------|-----------|
| c | | | Datum | 30.09.99 |
| b | 05 0 | 07.05.03 | Ba./ | Bearb. Ba |
| a | 04 0 | 12.02.02 | HD | Gepr. |
| | Anderung | Datum | Name | Norm |



DÜRKOPP
ADLER AG
Bielefeld

Teilenummer
Freigabe
0036 / 03

745-34
Messerbockeinheit
knife support unit

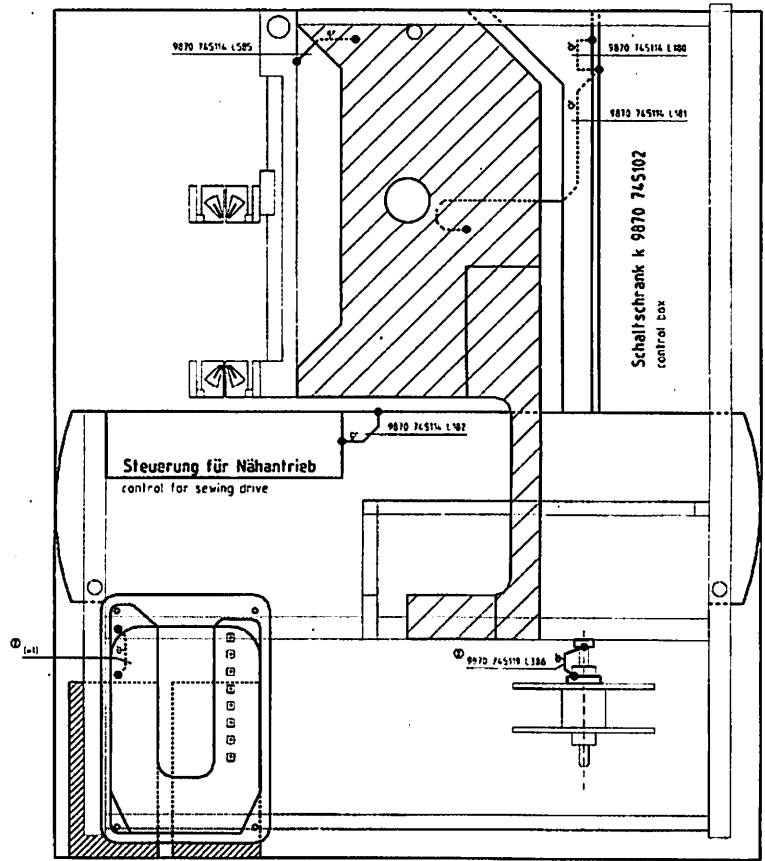
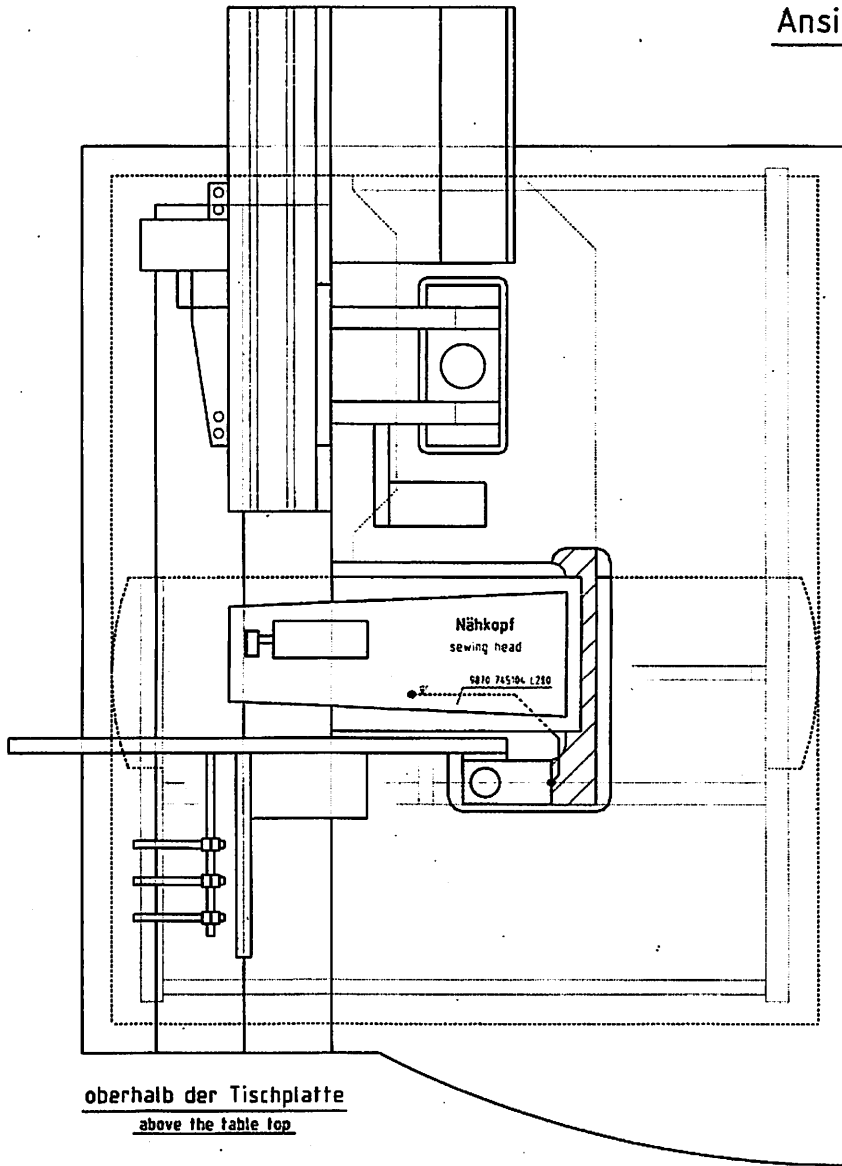
Ⓩ

Bauschaltplan
9870 745100 B

Blatt
23 / 26

1 2 3 4 5 6 7 8 9 10

Ansicht von oben
top view



| | | |
|------|------------------|------------------|
| | 05/2003 | 06/2003 |
| (c1) | 9870 745118 L385 | 9870 745121 L385 |

19. Mai 2003

| | | | | |
|---|----------|----------|-------|-----------|
| c | | | Datum | 30.09.99 |
| b | 05.0 | 07.05.03 | Ba | Bearb. Ba |
| a | 04.0 | 12.02.02 | Hd | Gepr. |
| | Änderung | Datum | Name | Nachr. |



**DÜRKOPP
ADLER AG**
Bielefeld

Teilfamilie
Freigabe
0036 / 03

745-34
Potentialausgleich
operational bondings

Bauschaltplan
9870 745100 B

Blatt
24 / 26

| 1 | 2 | 3 | 4 | 5 | 6 | 7 | 8 | 9 | 10 | | |
|-------------|------------------|------------------|-----------------------|---------------------|----------------------|-------------|-------------|----------------|-----------------|-------------------|--------------------|
| Kurzzeichen | Teilenummer | Benennung | denomination | Typ | Bemerkung | Kurzzeichen | Teilenummer | Benennung | denomination | Typ | Bemerkung |
| M1 | 9800 551000 | Filterlüfter | ventilation motor | 4850N | 1x230V | A1 | 9850 745100 | Leiterplatte k | PCB | 745-34 CPU DAC-2C | |
| M1.1 | 9800 551001 | Austrittsfilter | filter | | 120x120 | A2-3 | 9850 001180 | SM-Verstärker | amplifier | DAC-2B/C | |
| M2 | 9800 130103 | Nähantrieb o.S. | sewing motor | DC1500 | ohne Steuerung | | | | | | |
| M2.1 | 9800 331102 | Steuer. Nähtrieb | control f. sew. motor | AB285A | 1x190-240V 50/60Hz | A5 | 9850 001030 | Bedienfeld | control panel | | BF1C |
| M3 | 9800 580010 | Schrittmotor | stepping motor | 6500-30-2-0.37 | | | | | | | |
| M4 | 9800 580016 | Schrittmotor | stepping motor | PK2913-E4.0A-A1 | | | | | | | |
| M200 | 9800 560003 | DC-Motor | DC motor | PM1 48-55 | 24V 4000 U/min | A100 | 9830 200710 | Gehäuse | box | | |
| | | | | | | A101 | 9800 810003 | Vakuum | vacuum | | |
| | | | | | | A102 | Z129 000005 | Puller | puller | | |
| | | | | | | A103 | 0745 407564 | Pedal | pedal | | |
| | | | | | | A104 | 0745 177514 | Spuler | bobbin winder | | |
| M311 | 9800 580029 | Schrittmotor | stepping motor | | | A200 | 9850 745103 | Leiterplatte k | PCB | | Oberteilverteiler |
| M312 | 9800 580024 | Schrittmotor | stepping motor | MT23PM21033M8J | | A201 | 9850 001021 | Leiterplatte k | PCB | | Restfadenwächter |
| M511 | 9800 580022 | Schrittmotor | stepping motor | P310-154-2,5.005.10 | | A202 | 9850 001060 | Leiterplatte k | PCB | | 8 Magnetventile |
| M513 | 9800 580022 | Schrittmotor | stepping motor | P310-154-2,5.005.10 | | A300 | 9850 805006 | Leiterplatte k | PCB | | Verteiler Laser |
| Q0 | 9815 580008 | Netzschalter | main switch | | rot-gelb | A310 | 9850 001061 | Leiterplatte k | PCB | | CAN-SM-Endstufe 2x |
| S1-2 | 9815 920017 | Lichtschranke k | light barrier | GSM2RSPN | konf. ET 9815 920009 | A400 | 9850 001056 | Leiterplatte k | PCB | | Verteiler in/out |
| S3-4 | 9815 925002 | Restfadenwächter | bobbin thread monit. | RFW767 | konf. ET 9815 925001 | A401-402 | 9850 001038 | Leiterplatte k | PCB | 8 Magnetventile | → 07/2002 |
| S5-6 | 9815 740001 | Oberfadenwächter | thread monitor | IDS/D | | A401-402 | 9850 001060 | Leiterplatte k | PCB | 8 Magnetventile | 08/2002 → |
| S16 | 9870 745106/L523 | Induktivegeber | approximate switch | NAMUR 10Dx6,5 5V | konf. ET 9815 710002 | A410 | 0745 597594 | Ausroller | roll-off device | | |
| S20 | 9815 920021 | Lichtschranke k | light barrier | RK 404 K/P | konf. ET 9815 920012 | A500 | 9850 001056 | Leiterplatte k | PCB | | Verteiler in/out |
| S24 | 0999 220829 | Druckwächter | pressure monitor | | | A510 | 9850 001050 | Leiterplatte k | PCB | | CAN-SM-Endstufe |
| S25 | 9870 745105/L425 | Induktivegeber | approximate switch | M8x1x40 | konf. ET 9815 710100 | AC101 | 9850 001038 | Leiterplatte k | PCB | | CAN-Basismodul |
| S26 | 9870 745106/L522 | Induktivegeber | approximate switch | NAMUR 10Dx6,5 5V | konf. ET 9815 710002 | AC102 | 9850 001038 | Leiterplatte k | PCB | 8 Magnetventile | → 07/2002 |
| S100 | 9870 745101/L120 | Induktivegeber | approximate switch | IFRM 08P1104/PL | konf. ET 9815 710201 | AC102 | 9850 001060 | Leiterplatte k | PCB | 8 Magnetventile | 08/2002 → |
| SC201 | 9870 745107/L531 | Induktivegeber | approximate switch | NAMUR 10Dx6,5 5V | konf. ET 9815 710002 | AC111 | 9850 001052 | Leiterplatte k | PCB | | CAN-Laser-Modul |
| SC203 | 9870 745107/L533 | Induktivegeber | approximate switch | NAMUR 10Dx6,5 5V | konf. ET 9815 710002 | AC121 | 9850 001051 | Leiterplatte k | PCB | | CAN-DC-Motor-Modul |
| SC301 | 9870 745122/L331 | Induktivegeber | approximate switch | M8x1x40 | konf. ET 9815 710100 | AC201 | 9850 001049 | Leiterplatte k | PCB | | CAN-SM-Modul |
| SC302 | 9870 745121/L332 | Induktivegeber | approximate switch | NAMUR 10Dx6,5 5V | konf. ET 9815 710002 | AC301 | 9850 001049 | Leiterplatte k | PCB | | CAN-SM-Modul |
| T1 | 9810 820007 | Transformator | transformer | 750W/120VDC 6,25A | | F1 | 9825 810312 | Sicherung | fuse | M1,6A | 5x20mm |
| T2 | 9810 820008 | Transformator | transformer | 230/25V-19V-20V | | F2 | 9825 810417 | Sicherung | fuse | T6,3A | 5x20mm |
| T3 | 9810 810008 | Transformator | transformer | 20VA/230/11V | | F3-F5 | 9825 810316 | Sicherung | fuse | M4,0A | 5x20mm |
| X2 | 9825 570101 | Klemmleiste | screw terminal | | | F6 | 9825 810416 | Sicherung | fuse | T4,0A | 5x20mm |
| X3 | 9825 190101 | Steckdose | socket | | | F7 | 9825 810415 | Sicherung | fuse | T2,5A | 5x20mm |
| X100 | 9825 570002 | Klemmleiste | screw terminal | | | F8 | 9825 810413 | Sicherung | fuse | T1,6A | 5x20mm |
| X410 | 9825 570102 | Klemmleiste | screw terminal | | | F9 | 9825 810401 | Sicherung | fuse | T0,1A | 5x20mm |
| Z1 | 9810 711008 | Netzfilter | filter | F-250V-B90 6A | | HC109-116 | 9835 501005 | Laser k | laser | | |

9870 745100 B / 25

19. Mai 2003

| | | | | |
|---|----------|----------|-------|-----------|
| c | | | Datum | 30.09.99 |
| b | 05.0 | 07.05.03 | Ba/Bz | Bearb. Ba |
| a | 04.0 | 12.02.02 | Hd | Gepr. |
| | Anderung | Datum | Name | Norm |



DÜRKOPP
ADLER AG
Bielefeld

Telefon
Freigabe
0036 / 03

745-34
Teileliste
part list

Bauschaltplan
9870 745100 B
Blatt
25 / 26

| 1 | 2 | 3 | 4 | 5 | 6 | 7 | 8 | 9 | 10 | | |
|-------------|------------------|-------------------|--------------------|------------------|----------------------|-------------|------------------|-------------------|--------------------|------------------|----------------------|
| Kurzzeichen | Teilenummer | Benennung | denomination | Typ | Bemerkung | Kurzzeichen | Teilenummer | Benennung | denomination | Typ | Bemerkung |
| | | Methode D | method D | | | | | Methode A | method A | | |
| AC001 | 9850 001038 | Leiterplatte k | PCB | | CAN-Basismodul | AC001 | 9850 001038 | Leiterplatte k | PCB | | CAN-Basismodul |
| AC002 | 9850 001060 | Leiterplatte k | PCB | | 8 Magnetventile | AC002 | 9850 001060 | Leiterplatte k | PCB | | 8 Magnetventile |
| AC011 | 9850 001037 | Leiterplatte k | PCB | | CAN-Erw.Modul | S17 | 9870 745108/L355 | Induktivgeber | approximate switch | NAMUR 10Dx6,5 5V | konf. ET 9815 710002 |
| AC012 | 9850 001060 | Leiterplatte k | PCB | | 8 Magnetventile | S18 | 9870 745108/L356 | Induktivgeber | approximate switch | NAMUR 10Dx6,5 5V | konf. ET 9815 710002 |
| S17 | 9870 745110/L355 | Induktivgeber | approximate switch | NAMUR 10Dx6,5 5V | konf. ET 9815 710002 | S22 | 9870 745108/L358 | Induktivgeber | approximate switch | NAMUR 10Dx6,5 5V | konf. ET 9815 710002 |
| S18 | 9870 745110/L356 | Induktivgeber | approximate switch | NAMUR 10Dx6,5 5V | konf. ET 9815 710002 | S23 | 9870 745108/L359 | Induktivgeber | approximate switch | NAMUR 10Dx6,5 5V | konf. ET 9815 710002 |
| | | Methode F | method F | | | | | Methode B | method B | | |
| AC001 | 9850 001038 | Leiterplatte k | PCB | | CAN-Basismodul | AC001 | 9850 001038 | Leiterplatte k | PCB | | CAN-Basismodul |
| AC002 | 9850 001060 | Leiterplatte k | PCB | | 8 Magnetventile | AC002 | 9850 001060 | Leiterplatte k | PCB | | 8 Magnetventile |
| AC011 | 9850 001037 | Leiterplatte k | PCB | | CAN-Erw.Modul | AC011 | 9850 001037 | Leiterplatte k | PCB | | CAN-Erw.Modul |
| AC012 | 9850 001060 | Leiterplatte k | PCB | | 8 Magnetventile | AC012 | 9850 001060 | Leiterplatte k | PCB | | 8 Magnetventile |
| AC021 | 9850 001037 | Leiterplatte k | PCB | | CAN-Erw.Modul | AC021 | 9850 001037 | Leiterplatte k | PCB | | CAN-Erw.Modul |
| AC022 | 9850 001060 | Leiterplatte k | PCB | | 8 Magnetventile | AC022 | 9850 001060 | Leiterplatte k | PCB | | 8 Magnetventile |
| S17 | 9870 745109/L355 | Induktivgeber | approximate switch | NAMUR 10Dx6,5 5V | konf. ET 9815 710002 | S17 | 9870 745109/L355 | Induktivgeber | approximate switch | NAMUR 10Dx6,5 5V | konf. ET 9815 710002 |
| S18 | 9870 745109/L356 | Induktivgeber | approximate switch | NAMUR 10Dx6,5 5V | konf. ET 9815 710002 | S18 | 9870 745109/L356 | Induktivgeber | approximate switch | NAMUR 10Dx6,5 5V | konf. ET 9815 710002 |
| S22 | 9870 745109/L358 | Induktivgeber | approximate switch | NAMUR 10Dx6,5 5V | konf. ET 9815 710002 | S22 | 9870 745109/L358 | Induktivgeber | approximate switch | NAMUR 10Dx6,5 5V | konf. ET 9815 710002 |
| S23 | 9870 745109/L359 | Induktivgeber | approximate switch | NAMUR 10Dx6,5 5V | konf. ET 9815 710002 | S23 | 9870 745109/L359 | Induktivgeber | approximate switch | NAMUR 10Dx6,5 5V | konf. ET 9815 710002 |
| SC001 | 9870 745109/L321 | Induktivgeber | approximate switch | NAMUR 10Dx6,5 5V | konf. ET 9815 710002 | SC001 | 9870 745109/L321 | Induktivgeber | approximate switch | NAMUR 10Dx6,5 5V | konf. ET 9815 710002 |
| SC002 | 9870 745109/L322 | Induktivgeber | approximate switch | NAMUR 10Dx6,5 5V | konf. ET 9815 710002 | SC002 | 9870 745109/L322 | Induktivgeber | approximate switch | NAMUR 10Dx6,5 5V | konf. ET 9815 710002 |
| SC003 | 9870 745109/L323 | Induktivgeber | approximate switch | NAMUR 10Dx6,5 5V | konf. ET 9815 710002 | SC003 | 9870 745109/L323 | Induktivgeber | approximate switch | NAMUR 10Dx6,5 5V | konf. ET 9815 710002 |
| SC004 | 9870 745109/L324 | Induktivgeber | approximate switch | NAMUR 10Dx6,5 5V | konf. ET 9815 710002 | SC004 | 9870 745109/L324 | Induktivgeber | approximate switch | NAMUR 10Dx6,5 5V | konf. ET 9815 710002 |

9870 745100 B / 26

19. Mai 2003

| | | | | |
|---|----------|----------|-------|-----------|
| c | | | Datum | 30.09.99 |
| b | 05.0 | 07.05.03 | Ba/Bg | Bearb. Ba |
| a | 04.0 | 12.02.02 | Hd | Gepr. |
| | Anderung | Datum | Name | Norm. |



DÜRKOPP
ADLER AG
Bielefeld

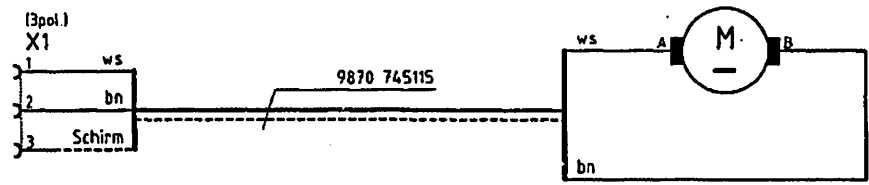
Teilfamilie
Freigabe
0036 / 03

745-34
Teieliste
part list

Bauschaltplan
9870 745100 B

Blatt
26 / 26

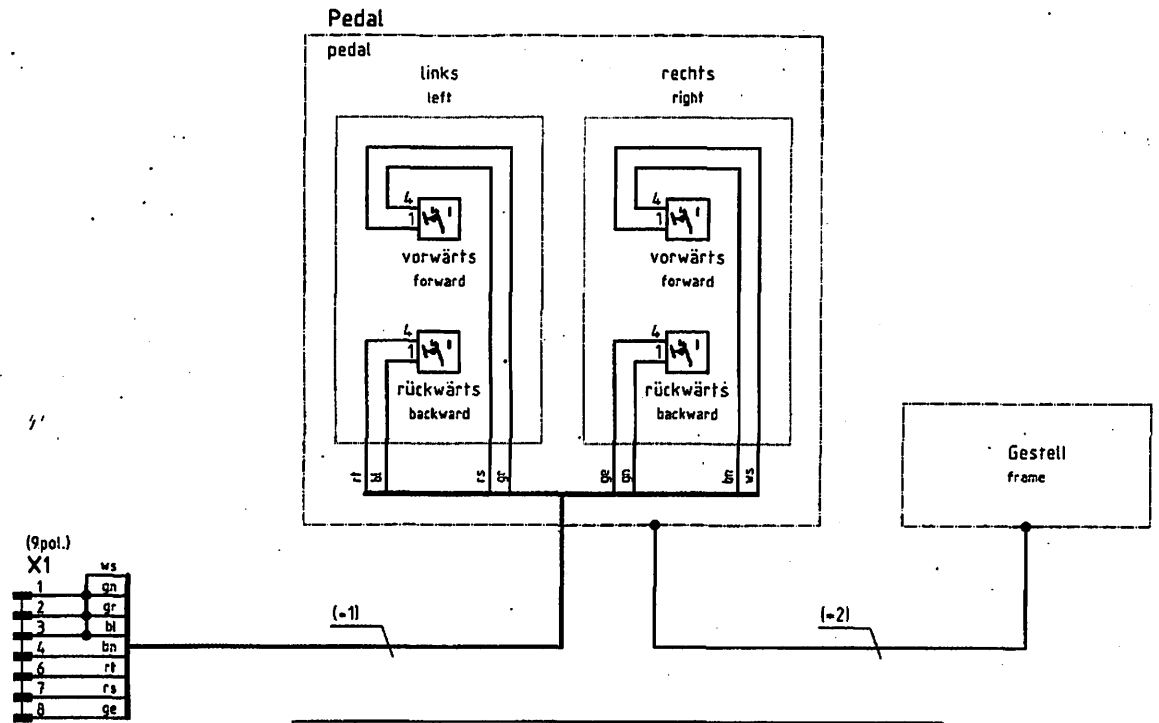
| | | | | | | |
|---|---|---|---|---|---|---|
| 1 | 2 | 3 | 4 | 5 | 6 | 7 |
|---|---|---|---|---|---|---|



| | | | | | | | | | |
|---|----------|--------|-------|----------|--|-------------|---|--|-------|
| c | | | Datum | 07.07.00 |  DÜRKOPP ADLER AG Bielefeld | Teilfamilie | 745-34 Ausroller roll-off device | Bauschaltplan 9870 745115 B | |
| b | | Bearb. | Ba | Freigabe | | 0688 / 99 | | | Blatt |
| a | | Gepr. | | | | | | 1/1 | |
| | Anderung | Datum | Name | Norm | | | | | |

From the library of: Superior Sewing Machine & Supply LLC

From the library of: Superior Sewing Machine & Supply LLC



| | Leitungssatz | für Pedal | verwendet in |
|------|----------------|-------------|--------------|
| (=1) | 9870 745116 | 0745 407564 | Kl. 745-34 |
| (=1) | 9870 745157 L1 | 0745 407714 | Kl. 745-34-2 |
| (=2) | 9870 745157 L2 | 0745 407714 | Kl. 745-34-2 |

11. Okt. 2004

| c | Datum | 26.06.00 |
|----------|-------|----------|
| b | 02.0 | 06.10.04 |
| a | 01.0 | 24.08.04 |
| Anderung | | Datum |
| Name | | Norm |

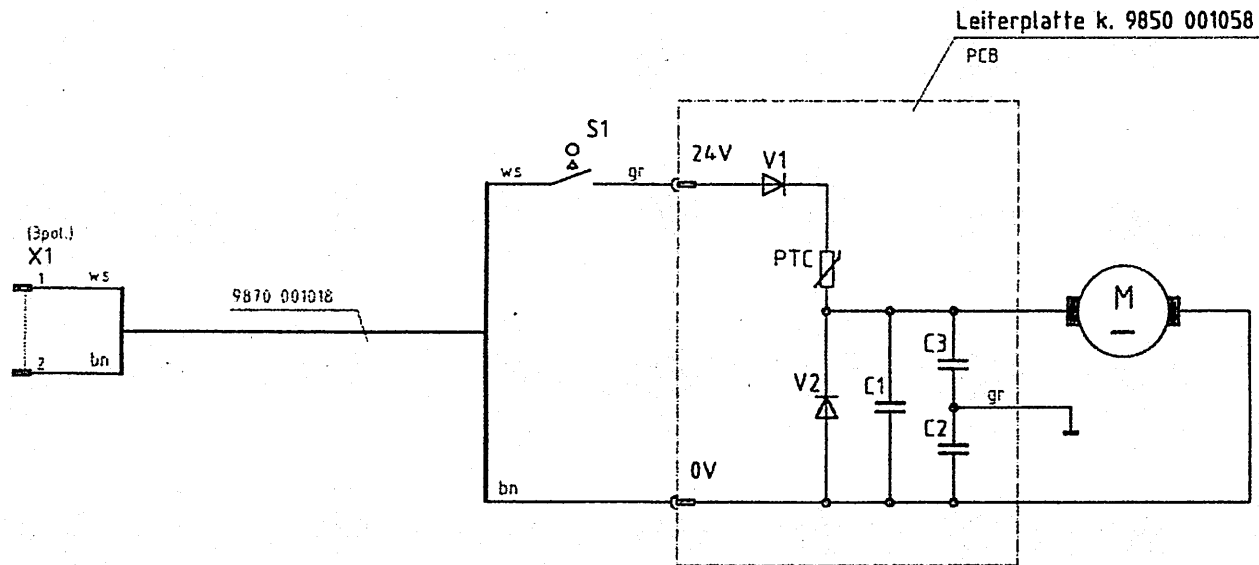
DÜRKOPP ADLER AG
Bielefeld

| Teilfamilie | Pedal k für Kl.745 |
|-------------|---------------------------------|
| Freigabe | Kl.745-34 Pedal k 0745 407564 |
| 0184 / 04 | Kl.745-34-2 Pedal k 0745 407714 |

| Bauschaltplan |
|---------------|
| 9870 745116 B |

| Blatt |
|-------|
| 1/1 |

From the library of: Superior Sewing Machine & Supply LLC



| | | | | | | | | | | |
|---|----------|-------|--------|--------------|---------------------------------|--|-------------------------|--------------------------------------|---------------|--------------|
| c | | | Datum | 25.10.00 | DÜRKOPP ADLER AG | Teilfamilie | Spuler Bobbin winder | Bauschaltplan | | |
| b | | | Bearb. | Hd <i>Hd</i> | | From the library of Superior Sewing Machine & Supply LLC | Freigegeben 06887/99 | Superior Sewing Machine & Supply LLC | 9870 001018 B | Blatt 1/1 |
| a | | | Gepr. | <i>Hd</i> | | | | | | |
| | Anderung | Datum | Name | Norm | | | | | | |